



February 29, 2024

To All Our Valued Customers,

We are pleased to inform you that DKS has transitioned from cold-rolled to using galvanized steel for all doors, frames, and stick materials.

As part of the shift, we have stopped ordering non-galvanized items since the 2nd quarter of 2023.

In our efforts to diligently keep our costs in check and pricing very competitive, please take note of the following pricing updates effective April 1st, 2024:

- There will be a 2.5% price increase for all doors 3070 and under.
- There will be a 4% price increase for all doors 3'2" and above.
- To avoid confusion, the galvanized part number will be discontinued for doors that are available in both galvanized and non-galvanized materials. All doors stocked in prefix G will be subject to a price decrease. Please check the new price list accordingly.
- All masonry and drywall frames and stick materials will be subject to a 2.5% price increase. All part numbers will remain the same.

We at DKS greatly appreciate your business. If you have questions or would like to place an order, please call (323)888-7763 or email sales@dksdoors.com.

Thank you again for your continued support and understanding.

Sincerely,

DKS Steel Door and Frame Systems, Inc.



DKS STEEL DOOR & FRAME SYSTEMS, INC.

DKS STEEL DOOR & FRAME SYSTEMS, INC.

2142 S. Tubeway Avenue
Commerce, CA 90040
Tel: (323) 888-7763
Fax: (323) 888-0063
Email: sales@dksdoors.com
Website: www.dksdoors.com

DKS ARIZONA WAREHOUSE

1725 W. Williams Drive, Suite 14
Phoenix, AZ 85027
Tel: (602) 698-7779
Fax: (480) 383-6353
Email: sales@SWOpeningSolutions.com

DKS TEXAS WAREHOUSE

SSG Arlington Texas
2020 Exchange Drive
Arlington, TX 76011
Tel: (817) 275-3070
Fax: (817) 275-3068
Email: gregshuck@ssg-texas.com
Website: www.ssg-texas.com

SSG Houston Texas

423 Blueberry St.
Houston, TX 77018
Tel: (817) 275-3070
Fax: (817) 275-3068
Website: www.ssg-texas.com

DKS PENNSYLVANIA WAREHOUSE

Tab Industries, LLC
2525 North 12th Street
Reading, PA 19605
Tel: (610) 921-0012
Fax: (610) 921-0014
Website: www.tabindustries.com

DKS COLORADO WAREHOUSE

Steele-Breeze & Associates, Inc.
2045 W. Amherst Ave.
Englewood, CO 80110
Tel: (800) 321-7232; (303) 922-3692
Fax: (303) 922-8873
Website: www.steele-brez.com


DKS INDIANA WAREHOUSE

Compass Building Products
24615 County Road 45, Suite #1
Elkhart, IN 46516
Tel: (574) 350-3749
Website: www.compassbldgproducts.com



DKS Steel Door and Frame Systems, Inc. constantly strive to meet the demands of the steel door and frame industry by providing premium products to the customer.

Superior quality, a strong service commitment, and value are DKS watch words. Standard features built into each door and frame reflect constant attention to detail and performance. DKS steel doors standard features include:


- 16, 18, 20 gauge flush 6 panel, 2 panel and single panel doors
- Seamless door edge
- Reversible
- 3 hour WHI fire, Positive Pressure, and  Smoke label
- Cold rolled or galvanized steel
- Prime painted with baked on two stage epoxy resin
- 7 gauge universal hinge reinforcements
- 12 gauge closer reinforcement
- 16 gauge flush sealed top channel / inverted bottom channel
- Closed hinge cavity
- High density full body polystyrene or honeycomb core
- Blank edge door includes rim exit device reinforcement
- Individual protective packaging

DKS's commitment is to provide superior quality and service, at competitive pricing to our customers.

The DKS vision of premium features and value to the customer is here.

Hollow Metal Doors

Precision seamless construction is exclusive to DKS, producing doors that meet or exceed all industry standards. Our line of doors features cold-rolled steel, primed for interior applications and galvanized steel with insulating cores for exterior applications.

All standard doors bear the WHI 3 hour listing mark, including Positive Pressure and  Smoke labels, combined.

Decorator doors are available in six-panel, two-panel and single panel, with insulating polystyrene cores.

Welded or Knock Down Steel Frames

DKS manufactures steel frames in standard sizes. These frames have the toughest tolerances in the industry. DKS steel frames are available in 16 and 18 gauge for 1 3/4" doors. All standard frames are manufactured from cold-rolled or galvanized steel.

DKS fire labeled steel frames carry the 3 hour Warnock Hersey label for masonry and 90 minutes for drywall frames.

Expandable Width Masonry and Drywall Frames for odd-fit wall widths and retrofit situations. Applicable to walls with width 4 5/8" to 7 3/4".

DKS Steel Door & Frame Systems, Inc.



Door Series

1000	= 18 Ga. Polystyrene
1100	= 18 Ga. Honeycomb
1112	= 18 Ga. 1 3/8" Honeycomb Rolled Seam
1113	= 18 Ga. 1 3/8" Honeycomb Seamless
1200	= 20 Ga. Polystyrene
1300	= 18 Ga. Steel Stiffened
1400	= 16 Ga. Steel Stiffened
MD1400	= Max-Duty Doors & Frames
1500	= Polystyrene replacement
1600	= 16 Ga. Polystyrene
1700	= 18 Ga. & 20 Ga. Polystyrene 6 Panel
32-1700	= 18 Ga. Polystyrene 6 Panel
1800	= 18 Ga. Polystyrene
1900	= 18 Ga. Polystyrene 2 Panel
2000	= 18 Ga. Honeycomb / pair active / inactive
6000	= 18 Ga. Double Egress
9000	= 18 Ga. 250° Temperature rise

*Polyurethane core available upon request. Consult factory.

Steel

20	= Cold Rolled
20G	= Galvanized
18	= Cold Rolled
18G	= Galvanized
16	= Cold Rolled
16G	= Galvanized

Door Style

F	= Flush
SP	= Single Panel
2P	= 2 Panel
6P	= 6 panel

Prep

C	= Fed.161 Cylindrical
MB	= Fed.86 Mortise Edge (Blank panel both sides)
T	= Security lever
B	= Blank edge, no reinforcement
BR	= Blank with rim exit device reinforcement
LP	= Deadbolt Strike
PBR	= Panic Bar Reinforcement
BLK	= Blank
BLKPBR	= Blank, Panic Bar Reinforcement

Hinge Preparation

4½" x 4½"

Strike Preparation

MS	= 47/8" Universal
CS	= 2¾" Cylindrical
B	= Blank
BR	= Blank with rim exit device reinforcement

Frame Series

3000	=16 Ga. Double Egress
4000	=16 Ga. Masonry Frames
EXP4000	=16 Ga. Expandable Masonry Frames
4500	=16 Ga. Pair Frame
4100	=14 Ga. Masonry Frames
5000	=16 Ga. Drywall Frames
EXP5000	=16 Ga. Expandable Drywall Frames
7000	=16 Ga. Blank Masonry Sticks
7500	=16 Ga. Fabrication Components
8000	=16 Ga. Blank Drywall Sticks

Steel

18	= Cold Rolled
18G	= Galvanized
16	= Cold Rolled
16G	= Galvanized

Components

H	= Head
HJ	= Hinge Jamb
SJ	= Strike Jamb
BJ	= Blank Jamb
BSJ	= Blank Strike Jamb
BHJ	= Blank Hinge Jamb

Strike

4.875	= ASA (Universal)
-------	-------------------

Closer Reinforcement

CR RA	= Closer Reinforcement Standard Arm
CR PA	= Closer Reinforcement Parallel Arm

Handing

RH	= Right Hand
LH	= Left Hand

Anchors

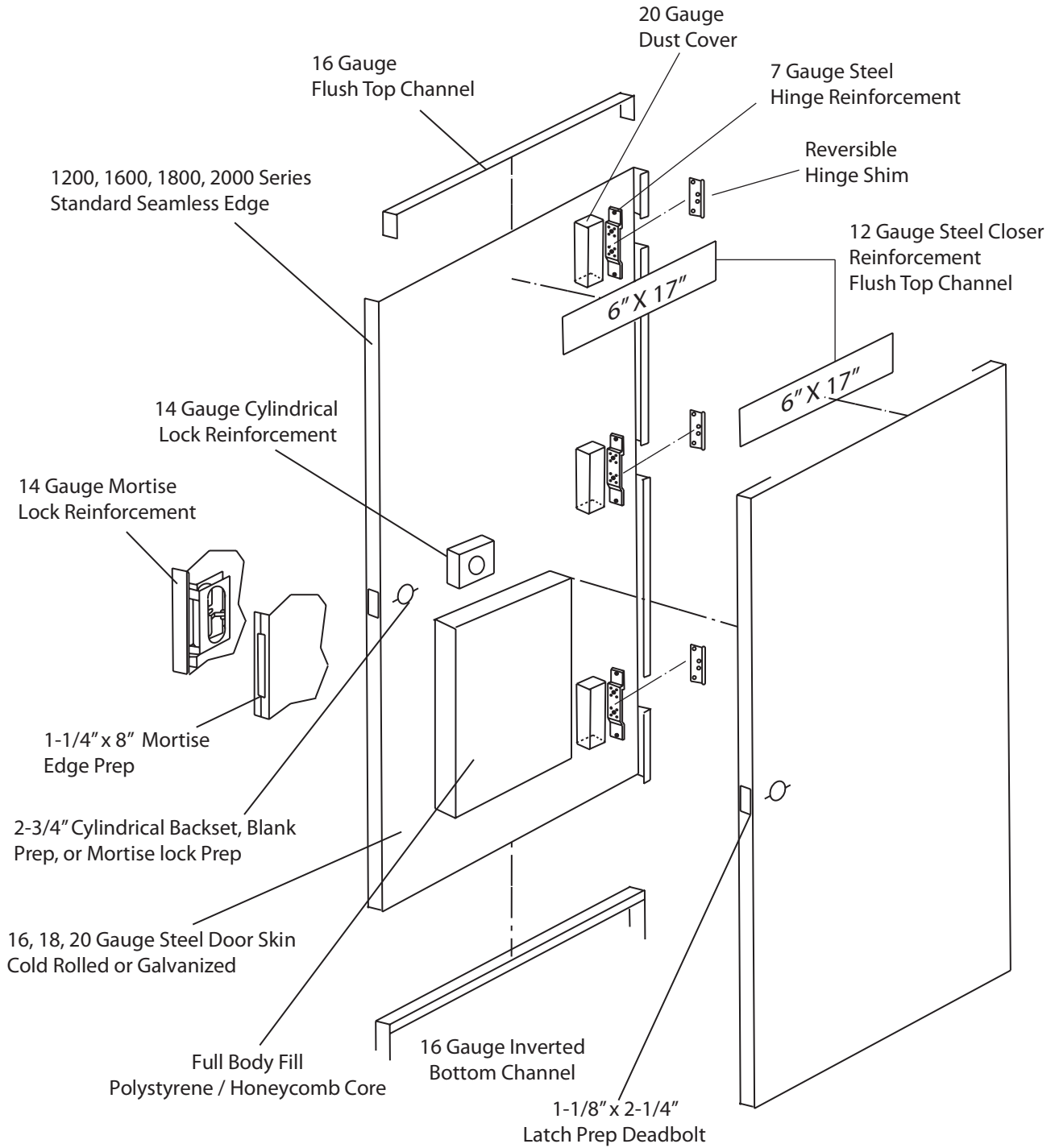
WS	= Wood Stud
SS	= Steel Stud
MA	= Masonry Wire

* **Special Note:**

All measurements are in feet and inches.
Door measurements are read as follows:
example 3068, width is 3'0", height is 6'8".
All Frames listed are overall sizes.



DKS Commercial Door Construction 1200, 1800 and 2000 Series





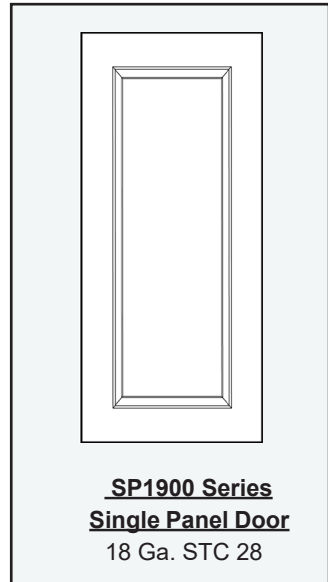
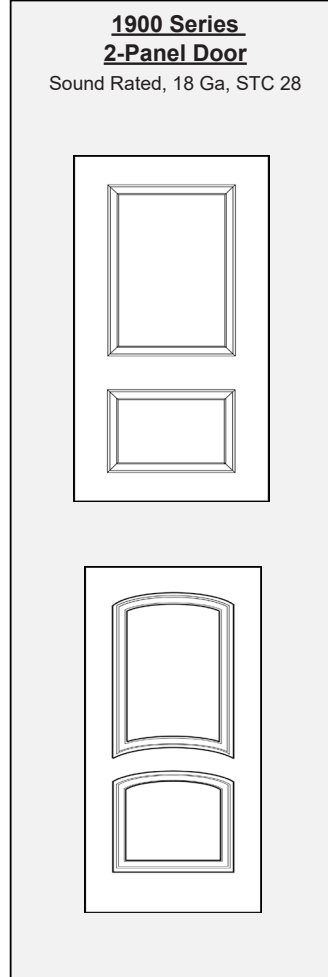
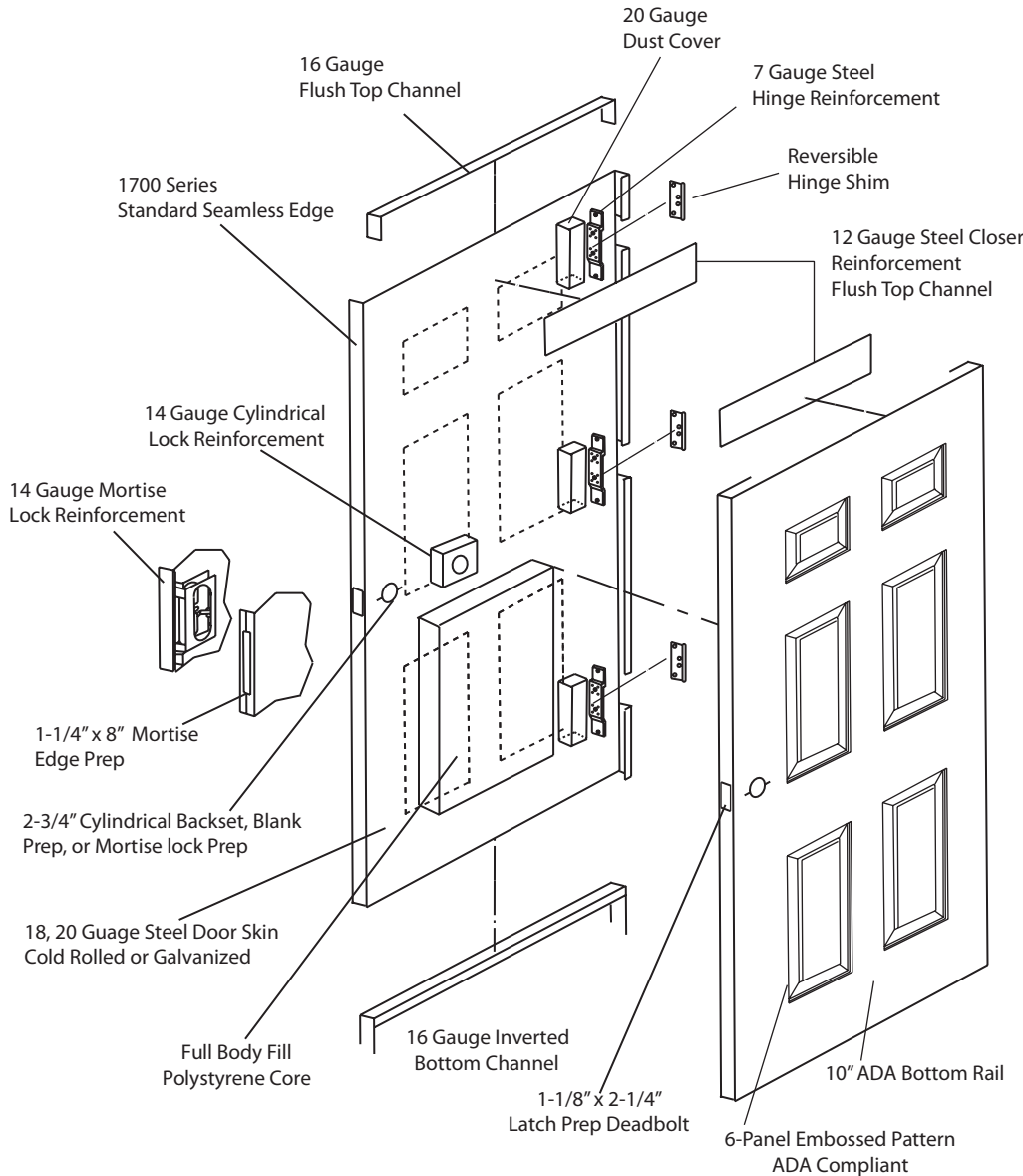
DKS 1700/32-1700 Series 6-Panel Door 1900 Series 2-Panel Door SP1900 Series Single Panel Door

1700 Series 6-Panel Door

Sound Rated
18 Ga, STC 28
20 Ga, STC 27

32-1700 Series 6-Panel Door

Sound Rated
18 Ga, STC 32



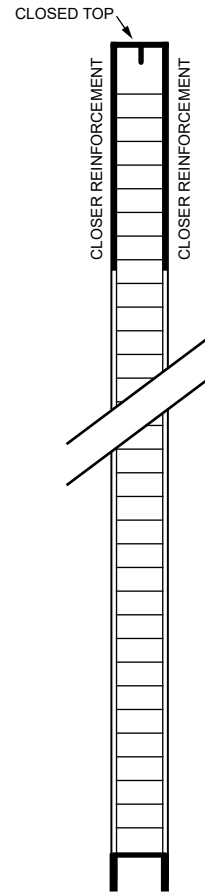
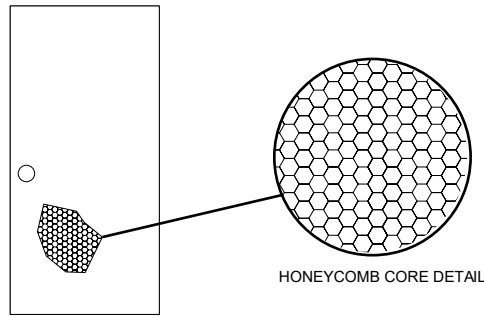
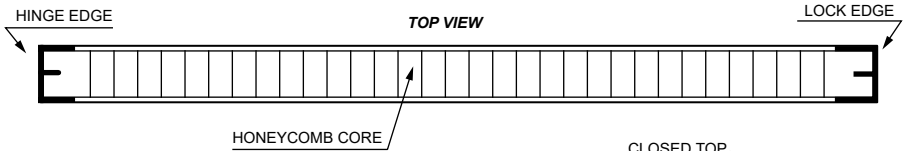


6000 SERIES DOUBLE EGRESS DOORS

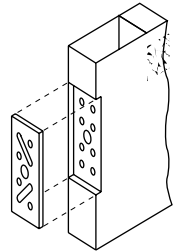
Standard Features

- ◆ 18/16 Gauge Cold Rolled or Galvanized Steel
- ◆ Seamless Filled Edges
- ◆ Full Body Honeycomb Core #90 Density Weight
- ◆ Non Handed Design
- ◆ 12 Gauge Closer Reinforcement
- ◆ 7-Gauge Hinge Reinforcement- Reversible
- ◆ 16-Gauge Top Cap - Galvanized
- ◆ 16-Gauge Inverted Bottom Cap - Galvanized
- ◆ Reinforced for Double Egress Surface Vertical Rod Application
- ◆ Prime Painted Grey Two Part Epoxy Factory Applied, Baked On
- ◆ WHI / ITS up to 3 hour, Positive Pressure and "S" Smoke included
- ◆ Meets or Exceeds Standards for ANSI 240.4 and ANSI 250.8

Sections



Typical Hardware Preparation



NON-HANDED HINGE

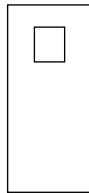
VERTICAL SECTION

3 HR. LABEL STYLES

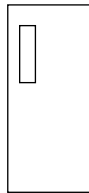


FV
3 x 33

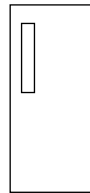
1-1/2 HR. LABEL STYLES



10 x 10



NN
5 x 20

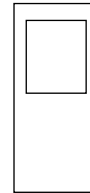


4 x 25



NG
3 x 33

3/4 HR. LABEL STYLES

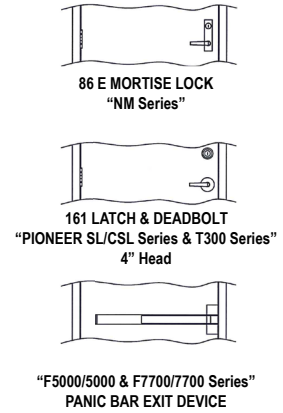
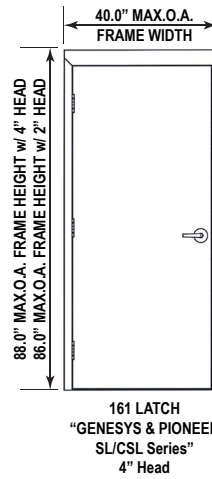
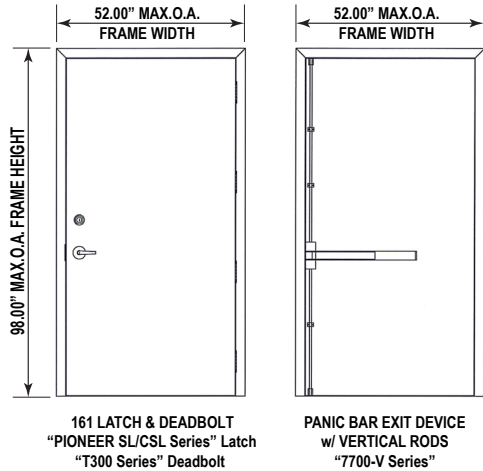


L1





DKS 1800 Series Hurricane-Tested Florida Approved FL41130

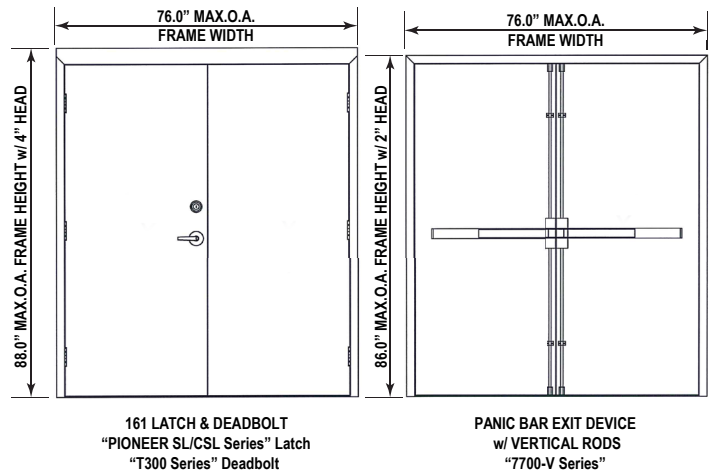
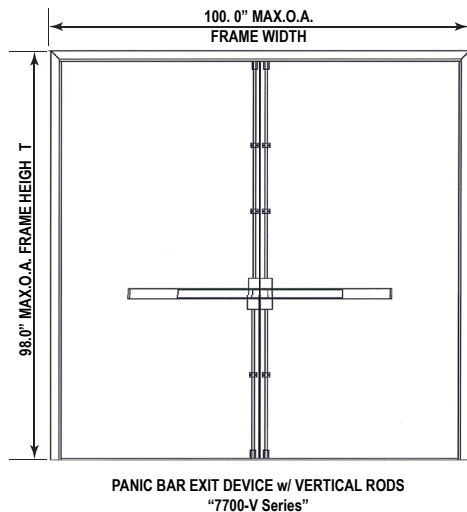


STEEL COMMERCIAL DOOR OUTSWING "IMPACT"

OVERALL FRAME DIMENSIONS	LOCK TYPE	DESIGN PRESSURE PSF	
		POSITIVE	NEGATIVE
52.00" x 98.00"	161 Latch & Deadbolt "PIONEER SL/CSL & T300 Series"	+80.0	-80.0
40.00" x 98.00"	Panic Bar Exit Device with Vertical Rods	+70.0	-70.0
52.00" x 98.00"	"7700-V Series"	+50.0	-50.0

STEEL COMMERCIAL SINGLE DOOR INSWING / OUTSWING "IMPACT"

OVERALL FRAME DIMENSIONS	LOCK TYPE	DESIGN PRESSURE PSF			
		INSWING		OUTSWING	
		POSITIVE	NEGATIVE	POSITIVE	NEGATIVE
40.00" x 88.00"	161 Latch "PIONEER SL/CSL Series"	+55.0	-55.0	+55.0	-55.0
	161 Latch & Deadbolt "PIONEER SL/CSL & T300 Series"	+55.0	-55.0	+55.0	-55.0
	161 Latch "GENESYS Series"	+70.0	-70.0	+70.0	-70.0
	Panic Bar Exit Device "F5000/5000 Series"	N/A	N/A	+50.0	-50.0
	Panic Bar Exit Device "F7700/7700 Series"	N/A	N/A	+70.0	-70.0
	86E Mortise Lock "NM Series"	+80.0	-80.0	+80.0	-80.0



STEEL COMMERCIAL DOUBLE DOOR OUTSWING "IMPACT"

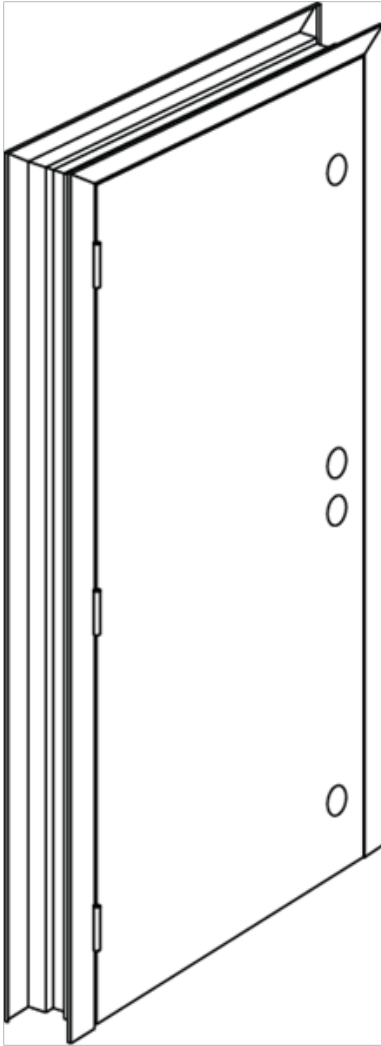
OVERALL FRAME DIMENSIONS	LOCK TYPE	DESIGN PRESSURE PSF	
		POSITIVE	NEGATIVE
100.0" x 98.0"	Panic Bar Exit Device with Vertical Rods "7700-V Series"	+50.0	-50.0

STEEL COMMERCIAL DOUBLE DOOR INSWING / OUTSWING "IMPACT"

OVERALL FRAME DIMENSIONS	LOCK TYPE	DESIGN PRESSURE PSF			
		INSWING		OUTSWING	
		POSITIVE	NEGATIVE	POSITIVE	NEGATIVE
76.00" x 88.00"	161 Latch & Deadbolt "PIONEER SL/CSL & T300 Series"	+55.0	-55.0	+55.0	-55.0
	Panic Bar Exit Device with Vertical Rods "7700-V Series"	N/A	N/A	+70.0	-70.0



DKS MD1400 SERIES MAXIMUM DUTY DOORS & FRAMES



MAX-DUTY DOORS & FRAMES

- 14 Gauge Door
- 12 Gauge Frame
- 161 Prep and 3 Deadbolt Preps
- Polystyrene Core
- 2 3/4" Backset
- 3/8" Undercut
- 4 1/2" x 4 1/2" Heavy Duty Hinge Prep
- DKS Steel Door & Frame Locations

MAX DUTY DOORS

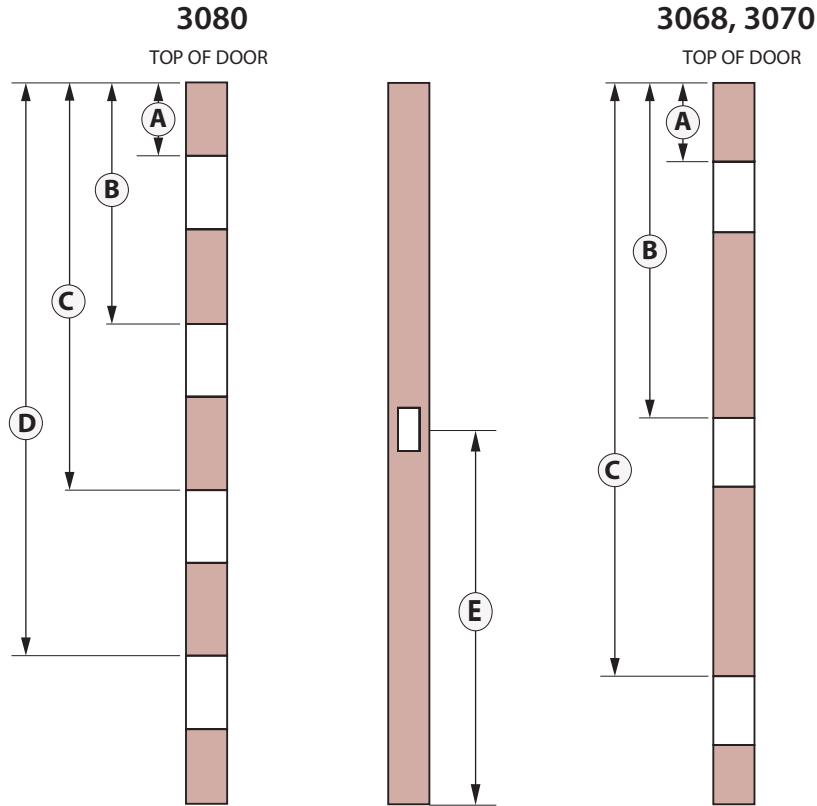
PART NUMBER	SIZE	PREP
MD2868	2868	C
MD3068	3068	C

MAX DUTY FRAMES

HAND	PART NUMBER	SIZE	DESCRIPTION
RH	MD4086	2868	5 3/4" 12 Gauge Frame with 3DL & ASA
LH	MD4087	2868	5 3/4" 12 Gauge Frame with 3DL & ASA
RH	MD4011	2868	8 3/4" 12 Gauge Frame with 3DL & ASA
LH	MD4012	2868	8 3/4" 12 Gauge Frame with 3DL & ASA
RH	MD4100	3068	5 3/4" 12 Gauge Frame with 3DL & ASA
LH	MD4101	3068	5 3/4" 12 Gauge Frame with 3DL & ASA
RH	MD4800	3068	8 3/4" 12 Gauge Frame with 3DL & ASA
LH	MD4801	3068	8 3/4" 12 Gauge Frame with 3DL & ASA



DOOR HINGE CROSS REFERENCE CHART



MANUFACTURERS	3068 DOOR				3070 DOOR				3080 DOOR				
	A	B	C	E	A	B	C	E	A	B	C	D	E
DKS	7 3/8	37 5/16	67 1/4	39 9/16	7 3/8	39 5/16	71 1/4	39 9/16	7 3/8	32 11/16	58	83 5/16	39 9/16
Steelcraft	7 3/8	37 5/16	67 1/4	39 9/16	7 3/8	39 5/16	71 1/4	39 9/16	7 3/8	32 21/32	57 15/16	83 1/4	39 9/16
Amweld	7 3/8	37 5/16	67 1/4	39 9/16	7 3/8	39 5/16	71 1/4	39 9/16	7 3/8	32 11/16	58	83 5/16	39 9/16
Ceco	6 5/8	37 5/8	68 5/8	41 1/16	6 5/8	39 5/8	72 5/8	41 1/16	6 5/8	32 5/8	58 5/8	84 5/8	41 1/16
Curries	4 7/8	35 1/8	65 3/8	39 1/4	4 7/8	37 1/8	69 3/8	39 1/4	4 7/8	30 3/8	55 7/8	81 3/8	39 1/4
Dean Steel	4 7/8	35 1/8	65 3/8	39 9/16	4 7/8	37 1/8	69 3/8	39 9/16	4 7/8	30 3/8	55 7/8	81 3/8	39 9/16
Mesker	4 7/8	35 1/8	65 3/8	39 9/16	4 7/8	37 1/8	69 3/8	39 9/16	4 7/8	30 3/8	55 7/8	81 3/8	39 9/16
Republic	4 7/8	35 1/8	65 3/8	39 9/16	4 7/8	37 1/8	69 3/8	39 9/16	4 7/8	30 3/8	55 7/8	81 3/8	39 9/16
Pioneer	4 7/8	35 1/8	65 3/8	37 1/4	4 7/8	37 1/8	69 3/8	37 1/4	4 7/8	30 3/8	55 7/8	81 3/8	37 1/4

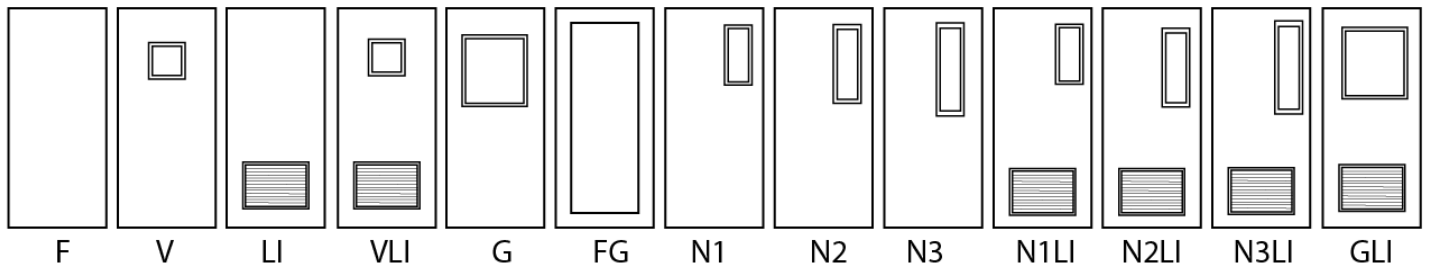


DKS Door Specifications

Series	Type	Gauge	Core	CR/GALV	Edge	Handing	Thickness	Label	Max Size
1000	Flush	16, 18, 20	Polystyrene	CR/GALV	Corner Seam	Reversible	1 3/4"	3hr/PP/S	8'0 x 8'0
1100	Flush	16, 18, 20	Polystyrene or Honeycomb	CR/GALV	Lock Seam	Reversible or Handed	1 3/4"	3hr/PP/S	8'0 x 8'0
1200	Flush	20	Polystyrene	CR/GALV	Seamless	Reversible	1 3/4"	3hr/PP/S	8'0 x 8'0
1300	Stiffened	18	Mineral Wool Fill	GALV	Seamless	Handed	1 3/4"	3hr/PP/S	8'0 x 8'0
1400	Stiffened	16	Mineral Wool Fill	GALV	Seamless	Handed	1 3/4"	3hr/PP/S	8'0 x 8'0
MD1400	Max Duty	14	Polystyrene	GALV	Seamless	Reversible	1 3/4"	90 mins	4'0 x 8'0
WS1400	Wind Storm	14	SS	GALV	Seamless	Reversible	1 3/4"	90 mins	6'0 x 8'0
1500	Retrofit Replacement	18	Polystyrene	CR	Corner Seam	Reversible	1 3/4"	N/A	4'0 x 8'0
1600	Flush	16	Polystyrene	GALV	Seamless	Reversible	1 3/4"	3hr/PP/S	8'0 x 8'0
1700	6-Panel	18, 20	Polystyrene	CR/GALV	Seamless	Reversible	1 3/4"	3hr/PP/S	8'0 x 8'0
1800	Flush	18	Polystyrene	CR/GALV	Seamless	Reversible	1 3/4"	3hr/PP/S	8'0 x 8'0
1900	2-Panel	18	Polystyrene	CR/GALV	Seamless	Reversible	1 3/4"	3hr/PP/S	6'0 x 7'0
2000	Flush	18	Honeycomb	CR/GALV	Seamless	Reversible	1 3/4"	3hr/PP/S	8'0 x 8'0
6000	Flush	18	Double Egress Honeycomb	CR/GALV	Seamless	Reversible	1 3/4"	3hr/PP/S	8'0 x 8'0
9000	Temp. Rise 250 Degrees	18	Mineral core	CR/GALV	Seamless	Reversible	1 3/4"	90 mins	8'0 x 8'0

CR: Cold Rolled, PP: Positive Pressure, GALV: Galvanized, S: Smoke

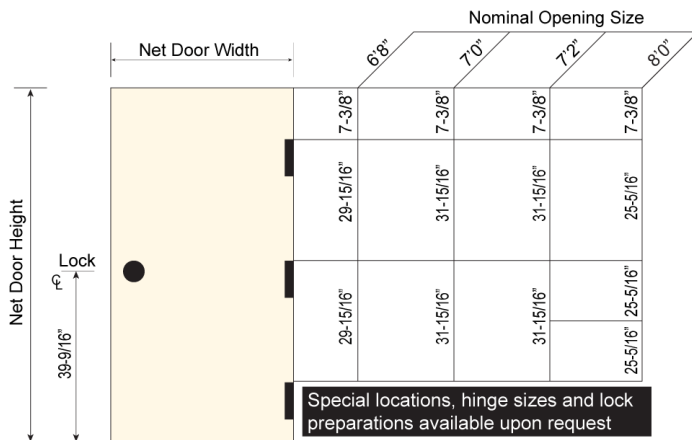
Standard Door Types



DOORS

Standard Hardware Locations 4-1/2" Hinge

FRAMES



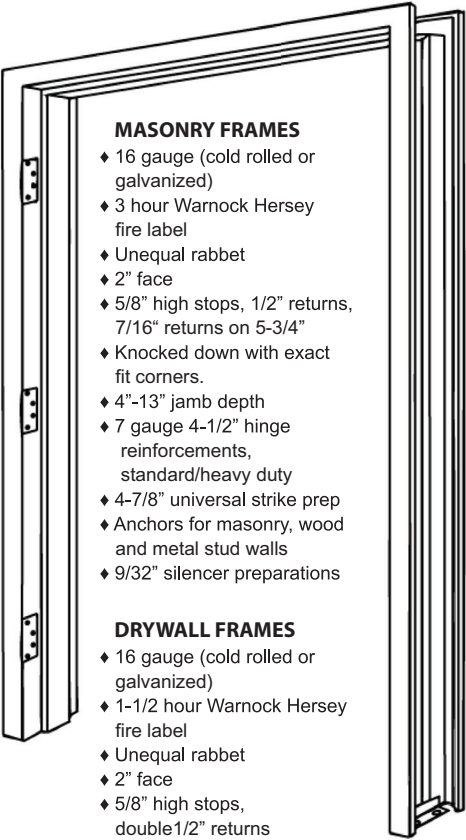



Welded or Knock Down Steel Frames

DKS manufactures steel frames in standard sizes. These frames have the tightest tolerances in the industry. DKS steel frames are available in 16 gauge for 1-3/4" doors.

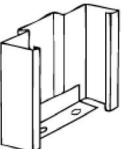
All standard frames are manufactured from cold rolled or galvanized steel.

DKS fire labeled steel frames carry up to 3-hour Intertek Mark.

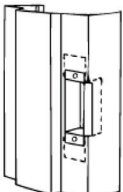




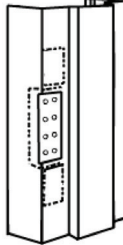
KNOCK DOWN CORNER
Exact fit corners provide for quick, easy and accurate assembly.



FLOOR ANCHOR
18-gauge floor anchors standard in all masonry frames.



STRIKE REINFORCEMENT
14-gauge strike reinforcements and mortar boxes are designed for accurate and universal function.



HINGE REINFORCEMENT
7-gauge standard/heavy duty hinge reinforcements.

MASONRY FRAMES

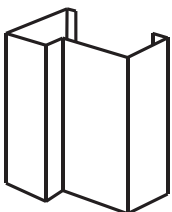
- ◆ 16 gauge (cold rolled or galvanized)
- ◆ 3 hour Warnock Hersey fire label
- ◆ Unequal rabbet
- ◆ 2" face
- ◆ 5/8" high stops, 1/2" returns, 7/16" returns on 5-3/4"
- ◆ Knocked down with exact fit corners.
- ◆ 4"-13" jamb depth
- ◆ 7 gauge 4-1/2" hinge reinforcements, standard/heavy duty
- ◆ 4-7/8" universal strike prep
- ◆ Anchors for masonry, wood and metal stud walls
- ◆ 9/32" silencer preparations

DRYWALL FRAMES

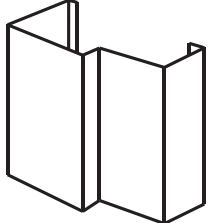
- ◆ 16 gauge (cold rolled or galvanized)
- ◆ 1-1/2 hour Warnock Hersey fire label
- ◆ Unequal rabbet
- ◆ 2" face
- ◆ 5/8" high stops, double 1/2" returns
- ◆ Knocked down with exact fit corners.
- ◆ 5-7/8", 6-1/4", 6-3/4", 7-1/4", 7-3/4", 8-1/4", 8-3/4" jamb depth
- ◆ Screw adjusting compressor anchors
- ◆ 7 gauge 4-1/2" hinge reinforcements standard/heavy duty
- ◆ 4-7/8" universal strike prep
- ◆ Anchors for masonry, wood and metal stud walls
- ◆ 9/32" silencer preparations

Also available in 18 gauge (Cold rolled and galvanized)

OPTIONAL SINGLE RABBET BLANK FRAMES



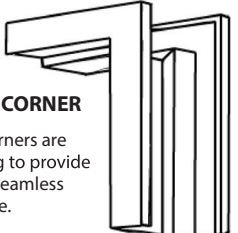
Single Rabbet Frame, Depth 3.5"




Single Rabbet Frame, Depth 5.5"

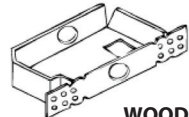
WELDED CORNER

Welded corners are tight fitting to provide a smooth seamless appearance.

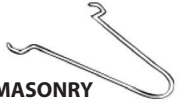




STEEL STUD ANCHOR



WOOD STUD ANCHOR




WIRE MASONRY



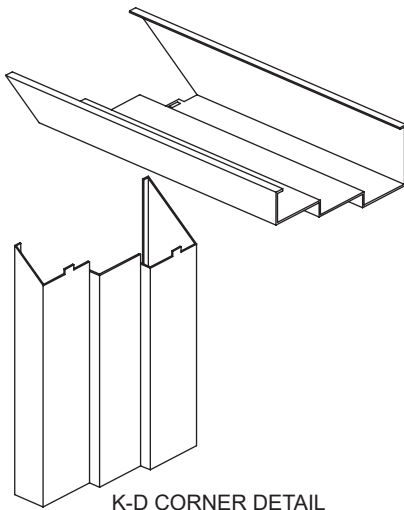
DOUBLE EGRESS FRAMES

STANDARD FEATURES

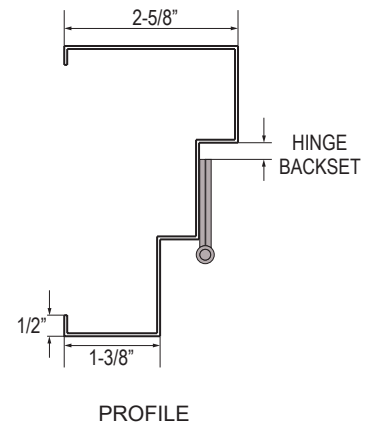
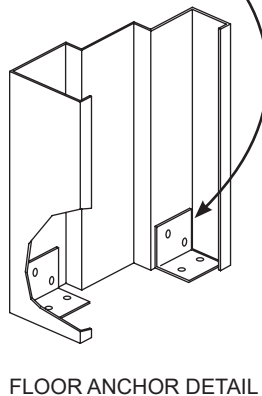
- 16-Gauge Cold Rolled Steel or A-40
Galvanized option
- Double Egress profile
- Exact fit mitered corner
- 7-Gauge hinge reinforcement
- Standard / Heavy Duty Adjustment
- Floor anchors in all jamb sides
- Wall anchors for masonry, wood stud, metal stud and strap anchors
- 4-inch to 9.75-inch jamb depths, refer to price list for stock items
- WHI 3 HR listing,  smoke label



NOTE: ITEM SHOWN NOT TO SCALE



L-STRAP ANCHORS WELDED IN



EXPANDABLE MASONRY AND DRYWALL FRAMES

The DKS "EXP" adjustable frame is a three piece system designed to adjust to multiple depth wall conditions. Slide rails placed inside the frame throat allow the frame to accommodate all jamb from 4 ⁵/₈" to 7 ³/₄" (for drywall) and 4 ³/₄" to 7 ⁷/₈" (for masonry) using a single frame.

The frame material used in manufacturing is A-40 galvanized 16 gauge. Prime painted with two part epoxy baked on at the factory.

Three 7 gauge 4.5 x 4.5 hinge reinforcements for 6'8" and 7'0" heights. Four 7 gauge hinge reinforcements for 8'0" height frames. All locations are DKS standard. All hinge reinforcements are prepared to accept standard weight or heavy weight template hinges. The ASA strike reinforcement is 12 gauge material drilled and tapped to accept 12-24 screws.

The frame is prepared for silencer application.

The frame carries the 90 minute WHI mark as standard.

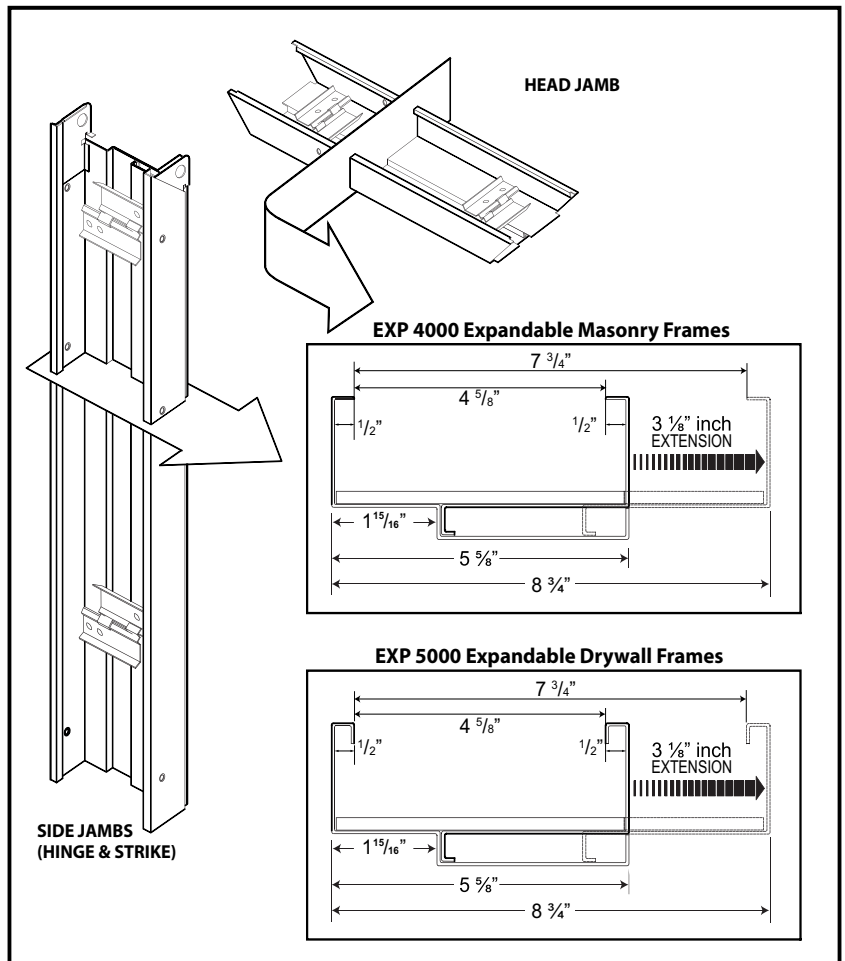
The EXP Frame is available in both DKS 4000 Series Masonry and 5000 Series Drywall configurations.



SLIDE RAILS



HINGE REINFORCEMENTS



DKS Steel Door & Frame Systems, Inc.
2142 Tubeway Avenue
Commerce, CA 90040

Tel: (323) 888-7763
Fax: (323) 888-0063
Website: www.dksdoors.com
Email: sales@dksdoors.com





DOOR & FRAME ACCESSORIES

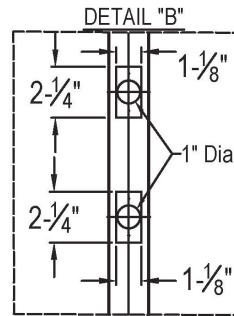
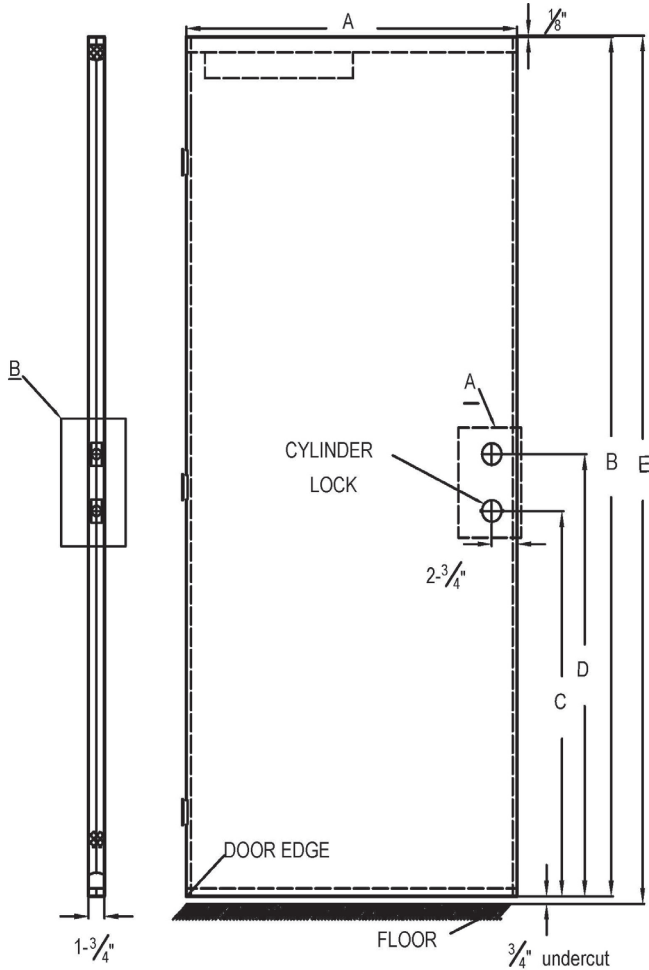
MULTI-PURPOSE ADJUSTABLE DOOR ANCHOR	HEAVY DUTY ADJUSTABLE DRYWALL ANCHOR (HDADWA)
	
DOOR SILENCER (DSM21)	REVERSIBLE FLUSH BOLT STRIKE W/ BACKING PLATE (FLUSHSTRK-2)
	
DEAD LOCK REINFORCEMENT PLATE (DBCONV-2)	CLOSER REINFORCEMENT (CR01)
	
DOOR FRAME DRIP CAP (CR44640)	
	

CHECK OUR NEW CATALOGUE FOR A COMPLETE LISTING OF DOOR AND FRAME ACCESSORY ITEMS

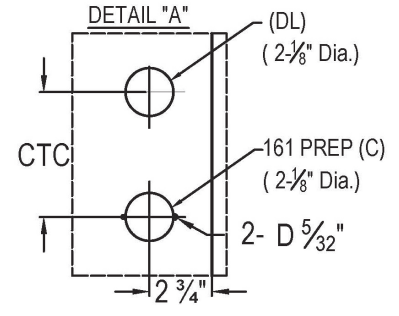


Double Bore Door Preps. New California American Disability Act (ADA) Standard

Available in 1700 Series (6-Panel), 1900 Series (2-Panel), SP1900 (Single Panel), 1800 Series (Flush Doors)



PREP FOR DOOR LATCHES



PREP (C/DL, 5-1/2" CTC & 4" CTC)

PREVIOUS CA STANDARD DOOR (AVAILABLE UNTIL SUPPLIES LAST)

ITEM #	DOOR SIZE	A	B	E	CTC	C	D (CTC + C)
1703CA	3068	35 3/4"	79 1/8"	80"	5 1/2"	37 1/4"	42 3/4"
1708CA	3070	35 3/4"	83 1/8"	84"	5 1/2"	37 1/4"	42 3/4"
1817CA	3068	35 3/4"	79 1/8"	80"	5 1/2"	37 1/4"	42 3/4"
1841CA	3070	35 3/4"	83 1/8"	84"	5 1/2"	37 1/4"	42 3/4"
1903CA	3068	35 3/4"	79 1/8"	80"	5 1/2"	37 1/4"	42 3/4"
1908CA	3070	35 3/4"	83 1/8"	84"	5 1/2"	37 1/4"	42 3/4"

REGULAR DOOR

ITEM #	DOOR SIZE	A	B	E	CTC	C	D (CTC + C)
1709	3068	35 3/4"	79 1/8"	80"	4"	39 9/16"	43 9/16"
1703					5 1/2"	39 9/16"	45 1/16"
1708	3070	35 3/4"	83 1/8"	84"	5 1/2"	39 9/16"	45 1/16"
1815	3068	35 3/4"	79 1/8"	80"	4"	39 9/16"	43 9/16"
1817					5 1/2"	39 9/16"	45 1/16"
1816					7 11/16"	39 9/16"	47 1/4"
1843	3070	35 3/4"	83 1/8"	84"	4"	39 9/16"	43 9/16"
1841					5 1/2"	39 9/16"	45 1/16"
1839					7 11/16"	39 9/16"	47 1/4"
1903	3068	35 3/4"	79 1/8"	80"	5 1/2"	39 9/16"	45 1/16"
1908	3070	35 3/4"	83 1/8"	84"	5 1/2"	39 9/16"	45 1/16"

NEW 2019 CA STANDARD DOOR

ITEM #	DOOR SIZE	A	B	E	CTC	C	D (CTC + C)
1709CA	3068	35 3/4"	79 1/8"	80"	4"	37 1/4"	41 1/4"
N1703CA					5 1/2"	35 1/4"	40 3/4"
N1708CA	3070	35 3/4"	83 1/8"	84"	5 1/2"	35 1/4"	40 3/4"
1815CA	3068	35 3/4"	79 1/8"	80"	4"	37 1/4"	41 1/4"
N1817CA					5 1/2"	35 1/4"	40 3/4"
1843CA	3070	35 3/4"	83 1/8"	84"	4"	37 1/4"	41 1/4"
N1841CA					5 1/2"	35 1/4"	40 3/4"
N1903CA	3068	35 3/4"	79 1/8"	80"	5 1/2"	35 1/4"	40 3/4"
N1908CA	3070	35 3/4"	83 1/8"	84"	5 1/2"	35 1/4"	40 3/4"

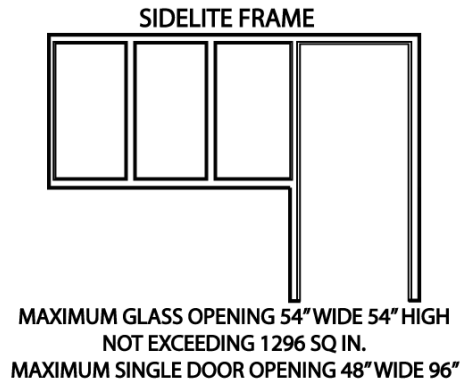
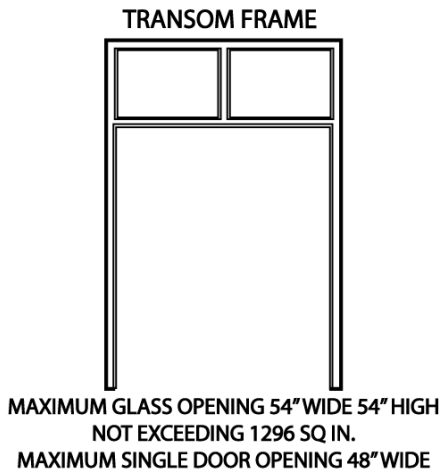
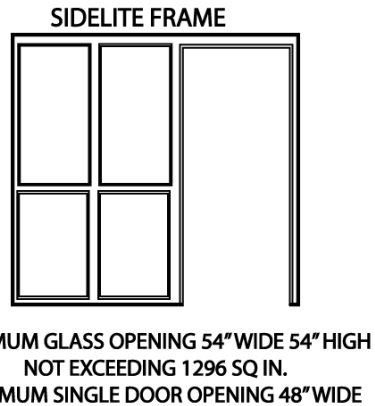
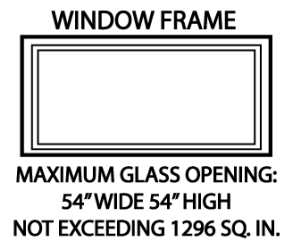
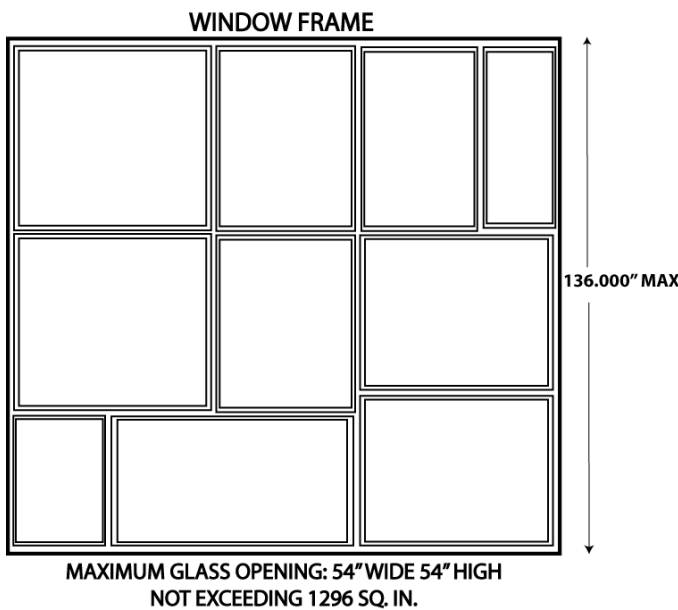
Refer to Price List for Stock Item, page D11-D13



7500 Series Architectural Stick Components Sidelite, Transom, and Window Frames

Fabrication Components

TYPE
Hinge Jamb 10'0", 6'8", & 7'0" locations
Strike Jamb 10'0", 6'8", & 7'0" locations
Hinge Mullion 10'0", 6'8", & 7'0" locations
Strike Mullion 10'0", 6'8", & 7'0" locations
Blank Mullion 10'0"
Blank Stick Material 10'0"



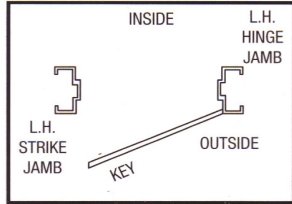


Door and Frame Handing Chart

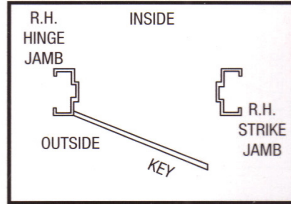
SINGLE SWING DOORS

When door swings towards you and hinges are on right side of the door – **Door is R.H.R. / Frame is L.H.**

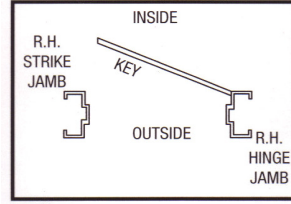
When door swings inside and hinges are on right side of the door – **Door is R.H. / Frame is R.H.**



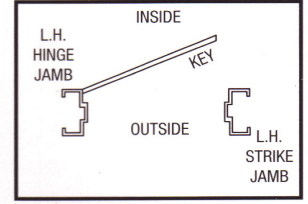
Right Hand Reverse Door
(Swing Out) Left Hand Frame



Left Hand Reverse Door
(Swing Out) Right Hand Frame



Right Hand Door (Swing In)
Right Hand Frame



Left Hand Door (Swing In)
Left Hand Frame

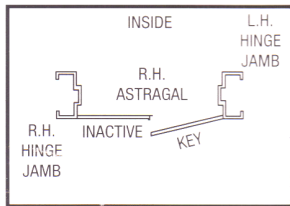
DOUBLE DOORS

When door leaf swing towards you and hinges are on the right side of active leaf –

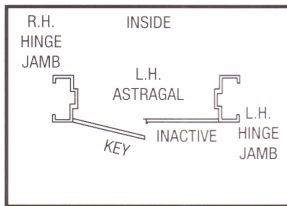
Door is R.H.R Active / Frame is L.H. Active

When door leaf swing inside and hinges are on the right side of active leaf –

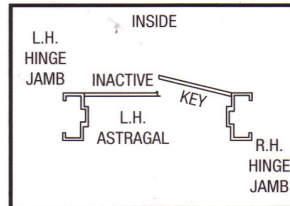
Door is R.H. Active / Frame is R.H. Active



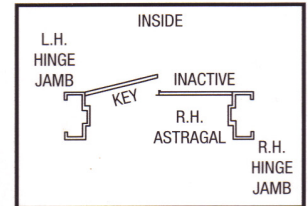
OUTSIDE
Pair of Doors – R.H.R. Active
(Swing Out)
Double Door Frame L.H. Active



OUTSIDE
Pair of Doors – L.H.R. Active
(Swing Out)
Double Door Frame R.H. Active



OUTSIDE
Pair of Doors – R.H. Active
(Swing In)
Double Door Frame R.H. Active



OUTSIDE
Pair of Doors – L.H. Active
(Swing In)
Double Door Frame L.H. Active

Warehouse Locations

California

DKS Steel Door & Frame Systems Inc.

2142 S. Tubeway Avenue, Commerce, CA 90040

Tel: (323) 888-7763; Fax: (323) 888-0063

Email: sales@dksdoors.com; Website: www.dksdoors.com

Arizona	Texas		Pennsylvania
<p>DKS Arizona Warehouse 1725 W. Williams Drive, Suite 14 Phoenix, AZ 85027 Tel: (602) 698-7779 Fax: (480) 383-6353 Email: sales@SWOpeningSolutions.com</p>	<p>DKS Arlington Texas SSG Texas 2020 Exchange Drive Arlington, TX 76011 Tel: (817) 275-3070 Fax: (817) 275-3068 Email: gregshuck@ssg-texas.com Website: www.ssg-texas.com</p>	<p>DKS Houston Texas SSG Texas 423 Blueberry Houston, TX 77018 Tel: (817) 275-3070 Fax: (817) 275-3068 Email: gregshuck@ssg-texas.com</p>	<p>DKS Pennsylvania Warehouse Tab Industries, LLC 2525 North 12th Street Reading, PA 19605 Tel: (610) 921-0012 Fax: (610) 921-0014 Email: tbrizek@tabindustries.com Website: www.tabindustries.com</p>

CAL-ROYAL PRODUCTS, INC.

Lites & Louvers Color Chart

Cal-Royal Lites are powder coated which provides better performance. It is more resistant to chipping, scratching and other wear because of the thermal bonding it undergoes during curing, and because it can be applied in much thicker layers. In addition to its physical toughness, powder coating provides superior color retention resulting in longer life usage

HOW TO ORDER: LITES & LOUVERS CUSTOM COLORS

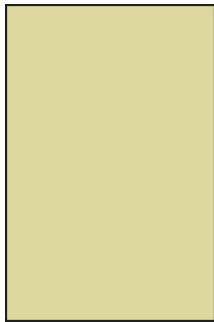
MUST SPECIFY: Item Code of the color choice shown below as 2nd line item when ordering. Otherwise, it will be shipped in Standard DARK BRONZE Color.

Example: To order SVL1212 with SEMI GLOSS BLACK COLOR, Order: "SVL1212" and "SPRAYPAINT-BK" as two line items.



Dark Bronze (DB)

Item Code:
SPRAY PAINT



Sand (S)

Item Code:
SPRAYPAINT-S



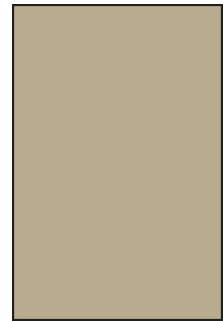
SC Beige (SB)

Item Code:
SPRAYPAINT-SB



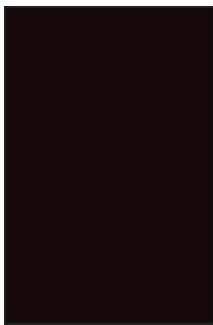
AMS Beige (AB)

Item Code:
SPRAYPAINT-AB



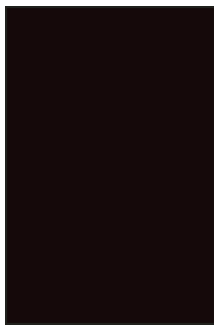
Brass (BRA)

Item Code:
SPRAYPAINT-BRA



Semi Gloss Black (BK)

Item Code:
SPRAYPAINT-BK



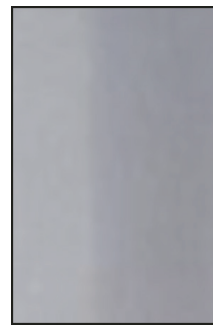
Flat Black (FBK)

Item Code:
SPRAYPAINT-FBK



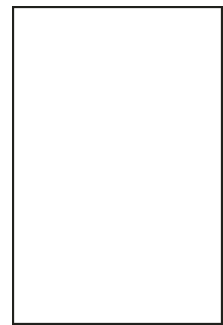
Grey (PR)

Item Code:
SPRAYPAINT-GRY



Silver (SL)

Item Code:
SPRAYPAINT-SL



White (W)

Item Code:
SPRAYPAINT-W

Note: The colors shown above are similar to, and may not be exactly the same as the painted products.

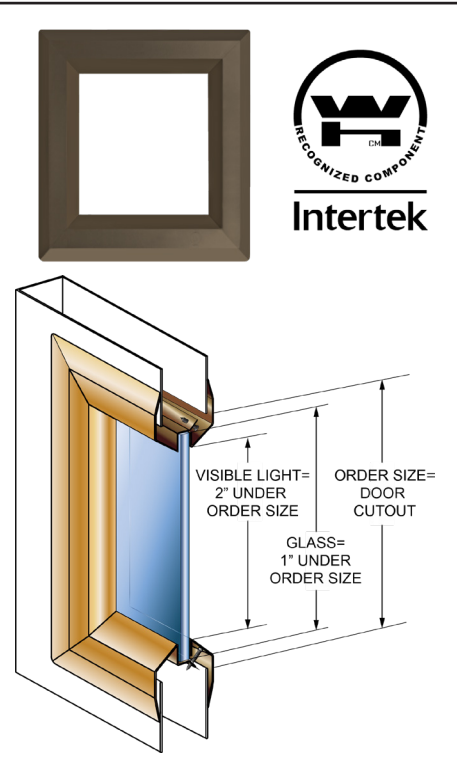
Dark Bronze (DB) and Grey (PR, Prime Coat) are available for immediate shipment on selected sizes shown in the price list. Custom Colors are also available with no additional charge.

All other sizes & colors are made in the USA with factory lead time.



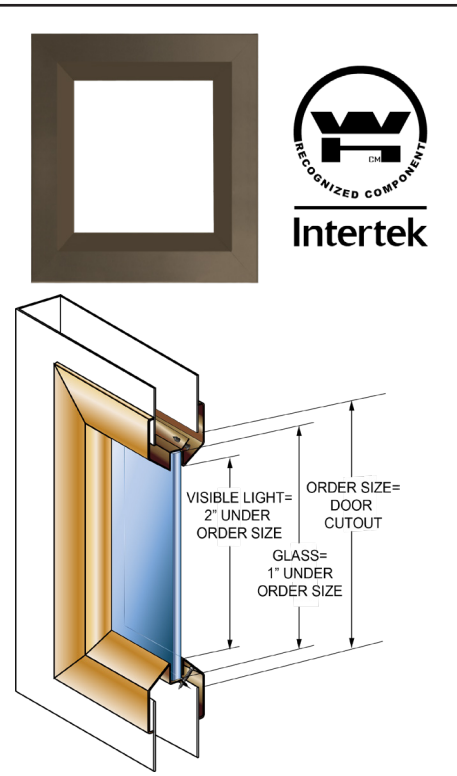
20-180 Minute Fire-Rated Steel Vision Kits*

SVL , Vision Lite Low Profile

ILLUSTRATION	SPECIFICATIONS
	<p>For use in fire rated door applications under positive and neutral pressure. Intertek testing certification in compliance to NFPA 252 (2000), UL 10C (2009), CAN / ULS104 (2010), NFPA (201) and CSI CODE 0870 00.</p> <p>Specifications:</p> <ul style="list-style-type: none"> - Low Profile Beveled Vision Lite; 20 Gauge Cold Rolled Steel - Mitered welded corners with counter sunk mounting holes - Single side attaching with matching mounting screws included - Designed for use with 1 3/4" doors only. For use with 3/16" to 1/4" glass thickness - Standard Color: Dark Bronze (DB) - Also available in Grey (PR), White (W), SC Beige (SB), & Flat Black (FBK) in selected sizes only - Custom colors available, see color chart on page 17 - Fastener: # 8 x 7/8" flathead phillips head SMS <p>Kit Options:</p> <ul style="list-style-type: none"> - Also available as a KIT or bundle which comes with the Frame, Glass and Glazing Tape. - Available glass types are Fire Rated Pyran® Platinum F Glass (3/16"), TEMP20 (1/4"), PROTECT3™ Wired Safety Glass (1/4"), and Non-Fire Rated Tempered (1/4"). <p>Notes:</p> <ul style="list-style-type: none"> - Order size is equal to opening size. Visible vision opening is 2" under order size - Glass size dimension is 1" under complete order size - Dimensions are written width (W) x height (H) * Refer to price list for list of fire rated sizes * Custom sizes are available. See price list.

VL , Vision Lite Standard Profile for 3/16" to 1/4" Thick Glass Frames

10VL , Vision Lite Standard Profile for 1" Thick Glass Frames

ILLUSTRATION	SPECIFICATIONS
	<p>For use in fire rated door applications under positive and neutral pressure. Intertek testing certification in compliance to NFPA 252 (2000), UL 10C (2009), CAN/ULS104 (2010), NFPA (201) and CSI CODE 0870 00.</p> <p>Specifications:</p> <ul style="list-style-type: none"> - Standard Profile Beveled Vision Lite; 20 Gauge Cold Rolled Steel - Mitered welded corners with counter sunk mounting holes - Single side attaching with matching mounting screws included - Also available for 1" glass thickness (10VL Series) - Designed for use with 1 3/4" doors only; For use with 3/16" to 1/4" glass thickness - Standard Color: Dark Bronze (DB); also available in Grey (PR - Prime Coat) in selected sizes only - Custom colors available, see color chart on page 17 - Fastener: # 8 x 7/8" flathead phillips head SMS <p>Kit Options:</p> <ul style="list-style-type: none"> - Also available as a KIT or bundle which comes with the Frame, Glass and Glazing Tape. - Available glass types are Fire Rated Pyran® Platinum F Glass (3/16"), TEMP20 (1/4"), PROTECT3™ Wired Safety Glass (1/4"), and Non-Fire Rated Tempered (1/4"). <p>Notes:</p> <ul style="list-style-type: none"> - Order size is equal to opening size, Glass size dimension is 1" under complete order size - Visible vision opening is 2" under order size - Dimensions are written width (W) x height (H) * Refer to price list for list of fire rated sizes * Custom sizes are available. See price list.

Pyran (PPF), TEMP20, Wire Shield (WS), and Tempered

Glass for Low & Standard Profile Lite Kits

Pyran (PPF)

(PYRAN® PLATINUM F, Fire & Safety Rated)

- Fire-Rated up to 90 minutes (180 minutes in doors) with required hose stream test
- Fire and Safety-Rated Glass Impact / Safety Rated to ANSI Z97.1 and CPSC 16CFR1201 CAT II
- Thickness: $\frac{3}{16}$ " (5mm). Weight: 2.5 lbs / ft²
- UL labeled standard, $\frac{3}{16}$ " thick glass ceramic.
- Surface applied heavy duty safety film. Install in fire listed and labeled vision lite frames.
- Light transmission: 80% approx.
- Minimum size: 4" x 6"
- Maximum sheet size: 43" x 77"

WireShield (WS)

(PROTECT3™ Wired Safety Glass, Fire-Rated)

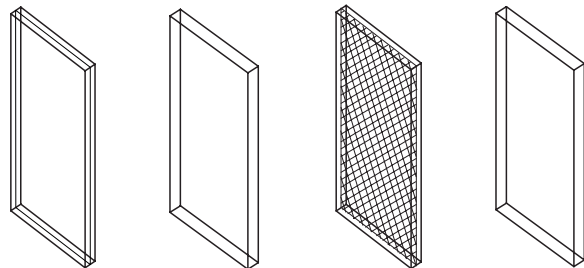
- Fire-Rated up to 90 minutes with hose stream
- UL classified and UL labeled
- Impact-Safety rated to ANSI Z97.1 and CPSC 16CFR1201, CAT I and II
- Passes 400 ft-lb impact tests
- Annealed single glazing with safety film applied to one side
- Passes air blast testing - minimum Level 3 @ 4.0PSI
- Embedded $\frac{3}{4}$ " x $\frac{3}{4}$ " wire mesh
- Light Transmission: 86% approx
- Thickness: $\frac{1}{4}$ " (6 mm)
- Minimum size: 4" x 4"
- Maximum sheet size: 48" x 96"

TEMP20

- Clear wire-free, fire rated and impact safety rated glass for 20 minute fire doors.
- Impact safety rated to ANSI Z97.1 and CPSC 16 CFR1201 (Cat I and II).
- Meets NFPA 80 requirements for certification and labeling.
- Tempered glass for safety and security.
- Thickness: $\frac{1}{4}$ " (6mm)
- Light transmission: 90% approx.
- Minimum size: 4" x 4"
- Maximum sheet size: 36" x 89"
- Can be used in standard fire rated doors of same rating.

Tempered Glass (TEMP)

- Clear wire free glass recommended for non-fire rated applications
- Heat treated clear safety glass that breaks into small particles. Glass cannot be cut after manufacturing.
- Thickness: $\frac{1}{4}$ " (6mm)
- Light transmission: 90% approx
- Minimum size: 2" x 2"
- Maximum sheet size: 87" x 117"
- Fire Rating: Non-Fire Rated



PYRAN

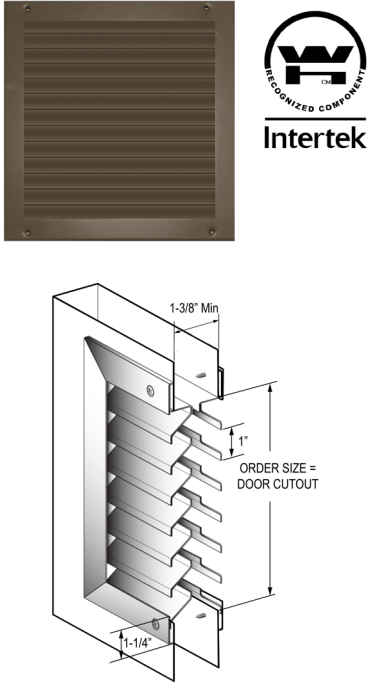
TEMP20

WIRESHIELDTEMPERED

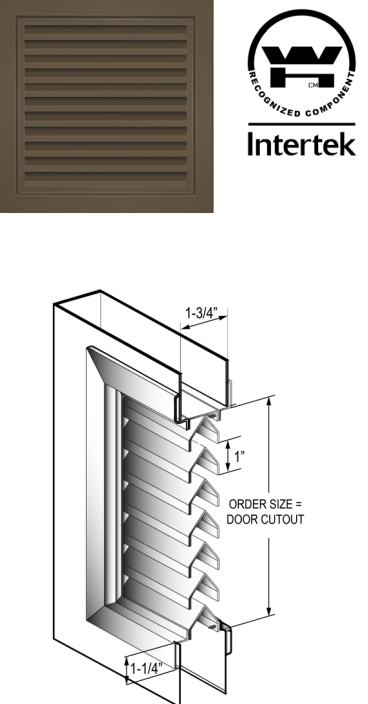
LISTINGS	Product	Rating	Application	Max Sq In (in ²)	Max Width (in)	Max Height (in)	Stop Height (in)
PPF	Platinum F	Up to 90 min	Other than doors	3422	76	76	$\frac{5}{8}$
		Up to 90 min	Doors (Non-Temp Rise)	2736	36	76	$\frac{5}{8}$
		180 min	Doors	100	12	33	$\frac{1}{2}$
TEMP20	Temp20	20 min	Doors	3204	36	89	$\frac{1}{2}$
WS	PROTECT3™ SAFETY WIRED GLASS (WireShield)	Up to 45 min	Doors, Metal	2856	34	84	$\frac{5}{8}$
		Up to 90 min	Doors, Metal	552	12	46	$\frac{5}{8}$
		Up to 60 min	Doors, Wood	960	12	80	$\frac{5}{8}$
		Up to 45 min	Window and Sidelites	4608	48	96	$\frac{5}{8}$
		Up to 45 min	Transom Lites	3456	96	36	$\frac{5}{8}$

90 Minute Fire-Rated Steel Louvers*

YLV, Divided Reverse "Y" Blade, Inverted Louvers

ILLUSTRATION	SPECIFICATIONS
	<p>For use in fire-rated door applications under positive and neutral pressure Intertek testing certification in compliance to NFPA 252 (2000), UL 10C (2009), NFPA 252 (2012), CSI CODE 08 90 00 Louvers and Vents</p> <p>Intertek RECOGNIZED COMPONENT</p> <p>Specifications:</p> <ul style="list-style-type: none"> - 18 Gauge cold rolled steel frame and blades - Mitered welded corner frame construction - Divided row "Y" blades spaced at 1" increments with blocked vision design - Counter sunk mounting holes with screws for each side of doors - Minimum door size thickness 1 3/8" - Baked on powder coat finish - Standard Color: Dark Bronze (DB) - Custom colors available, see color chart on page 17 - Free Flow Area: 50% free area - Fasteners: Phillips pan head screw # 8 x 3/4" <p>Notes:</p> <ul style="list-style-type: none"> - Order size equal to opening size, Width x Height - Follow all door manufacturer's instructions for use and installation of all louver products - Optional Insect screen, see price list. <p>* Refer to pricelist for list of fire rated sizes</p>

VLV, Inverted Y-Blade Louvers

ILLUSTRATION	SPECIFICATIONS
	<p>For use in fire rated door applications under positive and neutral pressure Intertek testing certification in compliance to NFPA 252 (2000), UL 10C (2009), NFPA 252 (2012), CSI CODE 08 90 00 Louvers and Vents</p> <p>Intertek RECOGNIZED COMPONENT</p> <p>Specifications:</p> <ul style="list-style-type: none"> - 18 Gauge cold rolled steel frame and blades - Mitered welded corner frame construction - Reverse "Y" blades are frame supported at 1" increments, with blocked vision design - Single side mounting for non-corridor exposure with fastening screws included - Designed for use on 1 3/4" doors only - Baked on powder coat finish. - Standard Color: Dark Bronze (DB) - Also available in Grey (PR) and Flat Black (FBK) in selected sizes only - Custom colors available, see color chart on page 17 - Free Flow Area: 50% free area - Fasteners: Phillips pan head screw # 8 x 3/4" <p>Notes:</p> <ul style="list-style-type: none"> - Order size equal to opening size, Width x Height - Follow all door manufacturer's instructions for use and installation of all louver products - Optional Insect screen, see price list <p>* Refer to pricelist for list of fire rated sizes</p>

90 Minute Fire-Rated Fusible Link Louvers

FLLV, Adjustable Fusible Link Louvers

Adjustable Fusible Link Louvers are recommended for use in rooms where ventilation is needed and at the same time isolating the room whenever fire is present. When louver is exposed to heat at 165°F, the fusible link trips and the spring loaded louver blades shut to form an air tight fire and smoke seal.

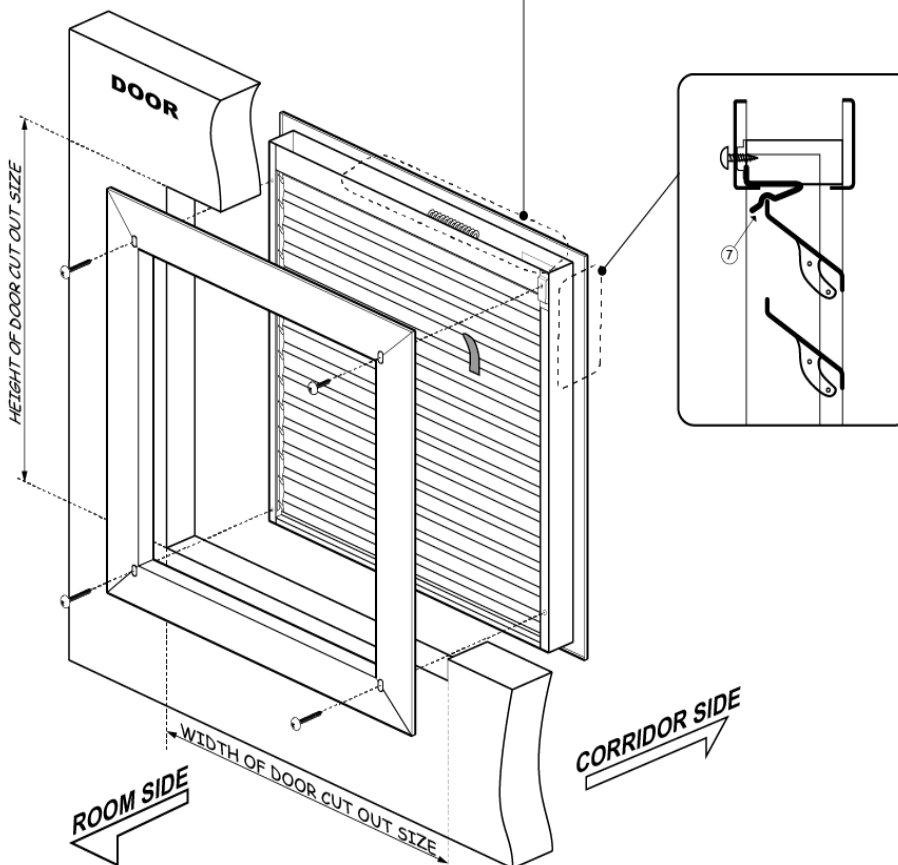
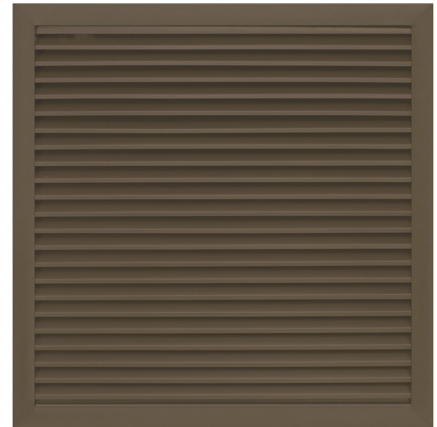
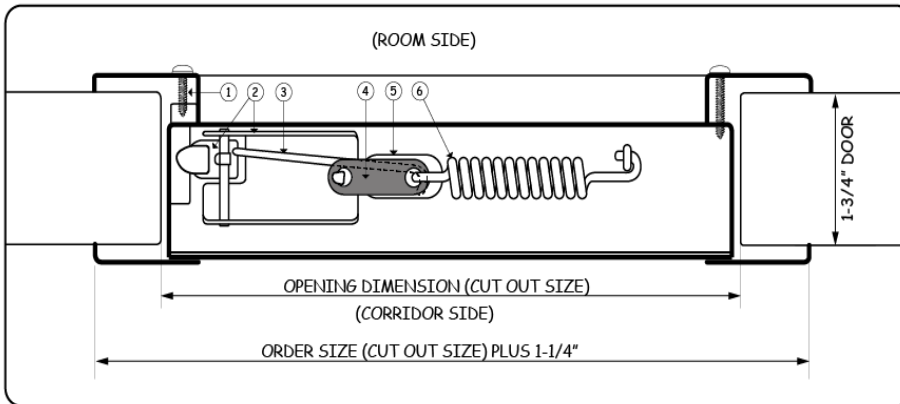
WHI Listing Mark with a 90 Minute Fire Rating is stamped on the frame of the louvers.

Installation is easy. No need to drill holes for fasteners. All screws are mounted on the room side leaving the corridor side free of fasteners for security purposes.

Fuses are replaceable.



Intertek



- ① Mounting Screws - # 8 phillips head (3 x 3/4" LG & 1 x 1/2" LG)
- ② Rocker Arm, Closing Bar and housing
- ③ "S" Hook - .080" Cadmium plated steel
- ④ Fusible link - Design temperature 165° F max
- ⑤ Heat opening - 1/2" x 1"
- ⑥ Tension spring - 3" LG x 1/2" dia x .063" thick Cadmium plated steel.
- ⑦ Flat Spring Clip

Standard Features:

Material: 16 Gauge CRS Frame & Louver Blades

Door: for 1 3/4" Doors only

Fasteners: 3 x 3/4" LG & 1 x 1/2" LG

Color: **Dark Bronze (DB)**

*Custom colors available, see color chart on page 17.

Free Flow Area: 45% free area

Construction:

- Welded & mitered corners
- Adjustable blades of 16-gauge CRS
- Cadmium plated steel rivets & tension spring
- 1 9/16" deep louver assembly
- Optional Insect screens, see price list
- Dimensions are written Width x Height

CUSTOM COLORS AVAILABLE, SEE COLOR CHART ON PAGE 17



U.S. GREEN BUILDING COUNCIL LEED RATING STATEMENT

In accordance with our current records of LEED rating systems for applicability to architectural hollow metal doors and frames, we hereby certify the following:

Applicable LEED Programs and Credits:

- Recycled Content (Cold Rolled Steel)

DKS DOOR SYSTEMS Cold Rolled Steel Product Lines	Post-Consumer Recycled Content*	Pre-Consumer Recycled Content**	Total LEED Recycled Content Percentage
1000/1100/1200/1300/1400/1500/ 1600/1700/1800/1900/2000/6000/ 9000 DOOR SERIES	36.8%	6.6%	40.1%
3000/4000/4500/5000/7000/ 75000-78000 FRAME SERIES	36.8%	6.6%	40.1%

- Recycled Content (Galvanized Steel)

DKS DOOR SYSTEMS Galvanized Product Lines	Post-Consumer Recycled Content*	Pre-Consumer Recycled Content**	Total LEED Recycled Content Percentage
1000/1100/1200/1300/1400/1500/ 1600/1700/1800/1900/2000/6000/ 9000 DOOR SERIES	22.7%	2.4%	23.9%
3000/4000/4500/5000/7000/ 75000-78000 FRAME SERIES	22.7%	2.4%	23.9%

*Recycled content defined in accordance with industry standards.

**Pre-consumer recycled content refers to waste material that is immediately placed back into the production cycle. Waste materials generated by the production of these products are collected and shipped off site where it then reenters the recycle stream.



TERMS and CONDITIONS

1. All published prices of DKS materials are shown at list price subject to discount for DKS approved vendors. All taxes by any governmental agency are in addition to the sale price of the material and are the responsibility of the approved purchasing vendor. All prices are subject to change without notice. Prices given are F.O.B. DKS warehouse at Commerce, California, and does not include freight or special handling services.
2. All orders are subject to availability and may be cancelled by the ordering party within 36 working hours following notification of receipt. All orders are considered individual transactions and must be accompanied by a valid purchase order issued by the customer. A minimum \$75.00 charge will be applied for any changes made to an existing order.
3. Loss or damage of material conveyed to the customer by use of public cartage or carrier is the responsibility of the consignee (customer). Materials must be inspected by the consignee upon delivery and any damage found **MUST BE NOTED** on the Bill of Lading/Proof of Delivery RECEIPT. Filing or notification of freight claims against public conveyance is the obligation of the customer.
4. Return of Merchandise: Claims for shortages and/or incorrectly filled orders must be filed with DKS Steel Door & Frame Systems, Inc. within 10 days of receipt of material. Price adjustments must also be made in writing to DKS within 30 days from receipt of invoice. No returned goods will be accepted without written approval from DKS. Credit will be based upon written authorization by DKS. Such returns must be prominently marked with the return goods authorization number and shipped prepaid. Returns, if approved, are subject to a minimum restocking charge of 20% for unopened stock product and must be received in new material condition. Non stock materials and special orders are not returnable. Under no circumstances will DKS accept liability for incidental or consequential damages. Charge-backs will not be allowed. No cash refund given, exchange or replacement only.
5. Credit terms for all materials invoiced to the customer are 1% discount – 15 days, net 30 days, without hold back or retainage.
6. DKS Material Warranty: DKS doors and frames shall be warranted by manufacturer for a period of one year for all cold rolled prime painted products. Galvanized prime painted products shall be warranted for a period of 10 years. For either product, the warranty begins from date of first delivery from the manufacturer. The warranty is based upon the product being used with the application of hardware for which it was designed and that standard industry recommendations for installation, maintenance, and use are followed; including but not limited to, painting, adjustment, and normal use. This warranty is limited to the replacement or repair at the option of the manufacturer.
7. **AUTHORITY OF TERMS AND CONDITIONS:** The terms mentioned herein are the only terms DKS will honor, and any exceptions must be approved and confirmed by an officer of DKS Steel Door & Frame Systems, Inc. Terms and Conditions of buyer's purchase orders will not be honored unless an agreement is reached in writing beforehand. DKS has the right to refuse credit to anyone, or has the right to refuse to fulfill any orders. No representations, arrangements or agreements not appearing on the order shall be binding upon DKS.

DKS Frame Order Sheet

DKS Standard Frame Measurements					
	A	B	C	D	E
3068	7 1/2	37 7/16	67 3/8	-----	
3070	7 1/2	39 7/16	71 3/8	-----	40 5/16
3080	7 1/2	32 13/16	58 1/8	83 7/16	

Strike and Hinge Locations	
DKS	Standard
CU	Curries
CE	Ceco
REP	Old Republic
DE	Dean Steel, Mesker, New Republic
PIO	Pioneer

Series	
M	Masonry (16 gauge or galvanized)
D	Drywall (cold rolled)
EXP M	Expandable Masonry
EXP D	Expandable Drywall
DE	Double Egress
14M	14 Ga. Masonry

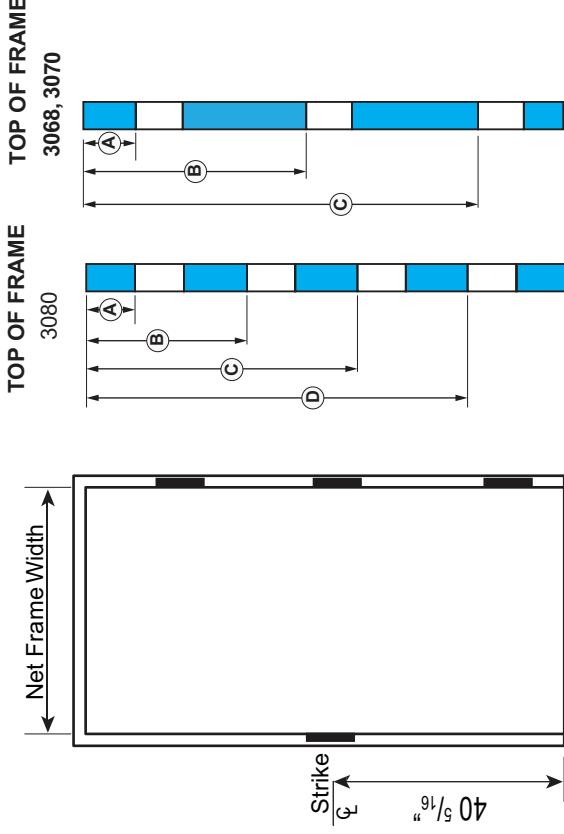
Notes	
Fire Rating:	
Std	3 Hour (Masonry), Drywall = 90 min
Extra Charge:	20, 45, 60, or 90 min. (Specify)
Note:	standard frame type is Unequal Rabbit

Handing	
LH	LH or RHR
RH	RH or LHR

Hardware Prep	
ASA	ASA 4 7/8" (Standard)
T	T-Strike
DS	Deadbolt Strike
RP	Rim Panic Reinf.
VRP	Vertical Rod Strike
FBF	Flush Bolt Strike
RA	Reg. Arm Closer Reinf.
PA	P. Arm Closer Reinf.

For more options see catalog page LC1-LC2 in price sheet

Anchors	
WS	Wood Stud
SS	Steel Stud
MAS01	Masonry Wire
SAC5	L-Strap
PDW	P&D Wood
PDM	P&D Masonry



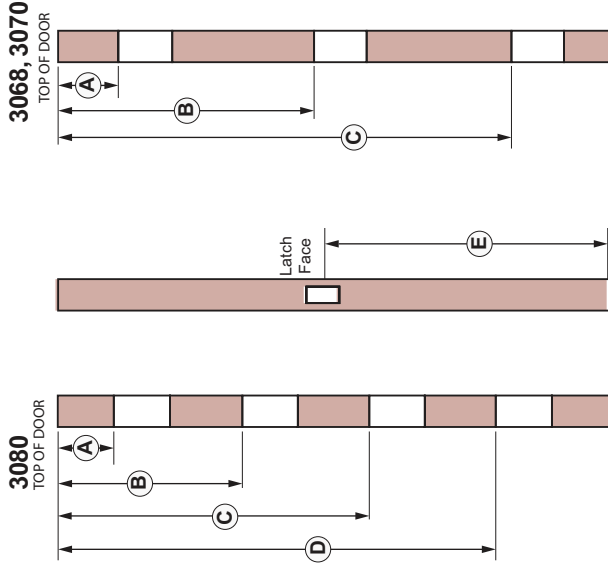
Company Name :		PO #		Account # :		SO # :						
Ordered By:				Ship To :								
Quantity	Part Number	Series	Jamb Depth	Strike and Hinge Locations	Opening Size (in Feet) (W x H)	Handing	Welded-Face (Y/N)	Closer Reinforcement	Anchor	Welded-Anchor (Y/N)	Hardware Prep	Notes/Frame #

DKS Door Order Sheet

Fire Rated	90 minutes on 1100 and 9000
Std.	3 Hour (Standard)
Extra Charge:	20, 45, 60, or 90 min. (Specify)

Lock and Hinge Locations	
DKS	Standard
CU	Curries
CE	Ceco
REP	Old Republic
DE	Dean Steel, Mesker, New Republic
PIO	Pioneer

Series	Cores
1100	Corner Seam
1300	Steel Stiffened (18 ga.)
1600	16 ga. Flush
1700	18 ga. 6 Panel
1800	18 ga. Flush
1900	18 ga. 2 Panel
2000	18 ga. Flush
6000	18 ga. Double Egress
9000	18 ga. Temp Rise
	Mineral/Pyrophobic



	Hardware Prep
C	161
MB	86
BR	Blank Rim Panic
SVR	Surf. Vert. Rod
IA	Fl. Blt. X ASA

Special Modifications	
LDMOD-9	Dead bolt prep (specify location)
LDMOD-23	Peephole prep (specify location)
LDMOD-11	Weld flat astragal (specify handing)
Door Cutout	
Cutout Size	Cutout Location
	Fire Rated (Y/N)

DKS Standard Door Measurements				
	A	B	C	D
3068	7 3/8	37 5/16	67 1/4	-----
3070	7 3/8	39 5/16	71 1/4	-----
3080	7 3/8	32 11/16	58	83 5/16

Company Name : _____ Account # : _____ PO # _____ SO # : _____

Ordered By: _____ Ship To: _____

Quantity	ITEM NUMBER	Series	Opening Size (in Feet) (W x H)	Lock and Hinge Locations	Hardware Prep	Special Modification	Notes



DKS STEEL DOOR & FRAME SYSTEMS, INC.

2142 S. TUBEWAY AVENUE CITY OF COMMERCE, CA 90040
TEL: (323) 888-7763 ♦ FAX: (323) 888-0063

CREDIT APPLICATION

DATE: _____

Company Name _____

BILLING ADDRESS: _____

CITY: _____ **STATE:** _____ **ZIP:** _____

Shipping Address _____

CITY: _____ **STATE:** _____ **ZIP:** _____

PHONE: _____ **FAX:** _____

Type of Business: _____ **Years at present location:** _____

Type of Organization Private Corporation Partnership Public corporation
 Individual Other _____

Principals _____ **Email address** _____

NAME	POSITION	HOME ADDRESS	PHONE#

Bank Reference

Bank: _____ **Account #** _____

Address: _____ **Phone #** _____

Trade References (Minimum of 3 With fax #)

NAME	ADDRESS	PHONE#	FAX#

Credit Limit Requested _____

NEED MONTHLY STATEMENT: YES NO

In making this application for credit, the customer agrees to pay all invoices within 30 days from date of invoice and to pay a service charge of 1.5% per month, which is an annual percentage rate of 18% on all overdue balances. In the event a suit is necessary to collect any amount, the customer agrees to pay the seller's reasonable attorney fees and costs including attorneys fees for appeal.

Signature _____ **Title:** _____ **Date:** _____

Office use only

Credit limit \$		Account #	
Date approved:		CR#	
Signature:		Discount:	
Reps Signature		Date	



DKS

DOORS

**LIST PRICES
APRIL 2024**



TABLE OF CONTENTS	
ITEM / SERIES	PAGE NO.
1000 Series Polystyrene Flush Doors, 18 Gauge, Corner Seam, Galvanized	D1
1100 Series Honeycomb Flush Doors, 18 Gauge, Corner Seam, Galvanized	D2
1112 Series Honeycomb Doors, Flush Top, 18 Gauge, Rolled Seam, Galvanized	D3
1200 Series Polystyrene Flush Doors, 20 Gauge, Seamless, Galvanized	D4
1300 Series Steel Stiffened Flush Doors, 18 Gauge, Beveled Seamless, Galvanized	D5
1400 Series Steel Stiffened Flush Doors, 16 Gauge, Beveled Seamless, Galvanized	D6
MD1400 Max Duty Doors & Frames, 14 Gauge, Galvanized	D7
1500 Series Retrofit / Replacement Doors, 18 Gauge, Corner Seam, Galvanized	D8
1600 Series Polystyrene Flush Doors, 18 Gauge, Seamless, Galvanized	D9
SP1900 Series Single Panel Doors, Stock Reversible, Seamless Polystyrene, Galvanized	D10
1900 Series 2-Panel Doors, Stock Reversible, Seamless Polystyrene, Galvanized	D11
1700 Series 6-Panel Polystyrene Flush Doors, 18 & 20 Gauge. Galvanized	D12
1800 Series Polystyrene Flush Doors, 18 Gauge, Seamless, Galvanized	D13-D15
1800 Series Seamless Polystyrene Doors with Cutouts, 18 Gauge, Galvanized	D16
Lite and Louver Cutout Size and Locations	D17-D18
1800 Series Polystyrene Flush Inactive Doors, 18 Gauge, Galvanized	D19
1800 & 1600 Series Prep for Full Mortise Continuous Hinge Application, Galvanized	
2000 Series Honeycomb Flush Doors, 18 Gauge, Seamless, Galvanized	D20
6000 Series Double Egress Honeycomb Doors, 18 Gauge, Seamless, Galvanized	D21
9000 Series Temperature Rise Doors, 16 & 18 Gauge, Galvanized	D22
CVR Series Doors, Stock Reversible Seamless Doors, Galvanized	D23
LV7000 Series Metal Louver Utility Doors, Galvanized	D24
Door and Frame Locations Guide	D25



1000 Series Flush Doors

18 GAUGE GALVANIZED, CORNER SEAMED

STOCK REVERSIBLE POLYSTYRENE FLUSH DOORS

- Price includes closer reinforcement, fire label WHI 3HR Positive Pressure and **(S)** Smoke label
- Other locations and sizes are available
- STC rating 26, R & U value (pending, new testing ongoing)

Active Doors

ITEM#	SIZE	LABEL	PREP	GAUGE	LIST EACH
1013CS	3068	WHI3	C	18	\$594
1018CS			MB		
1024CS			BR		
1040CS	3070	WHI3	C	18	622
1044CS			MB		
1047CS			BR		
1055CS	4070	WHI3	MB	18	870
1066CS	4080	WHI3	MB		1068

- All inactive doors are prepared for, and price includes:
 - ASA strike prep
 - Manual / Auto flush bolts prep
 - Loose flat astragal

Inactive Doors

HAND	ITEM#	SIZE	LABEL	PREP	GAUGE	LIST EACH
RH	1018CSR IA	3068	WHI3	FB/ASA	18	\$768
LH	1018CSL IA					
RH	1044CSR IA	3070	WHI3	FB/ASA		796
LH	1044CSL IA					



1100 Series Flush Doors

18 GAUGE GALVANIZED, CORNER SEAMED

STOCK REVERSIBLE HONEYCOMB FLUSH DOORS

- 18 Gauge Galvanized Steel
- Meets and Exceeds Standards for ANSI 250.4 and 250.8
- Reversible, Non-Handed
- Mechanical Inter-Lock Edge System
- 14 Gauge Closer Reinforcement
- 14 Gauge Lock Reinforcement
- 10 Gauge Hinge Reinforcement
- 18 Gauge Flush Top and Inverted Bottom Cap
- Honeycomb Core
- Grey Powder Coated Prime
- 90 Minute WHI Label

ITEM#	SIZE	LABEL	PREP	GAUGE	LIST EACH
1113EC	3068	WHI90	C	18	\$594
1118EC			MB		
1124EC			BR		
1140EC	3070	WHI90	C	18	622
1144EC			MB		
1147EC			BR		

NOTES:



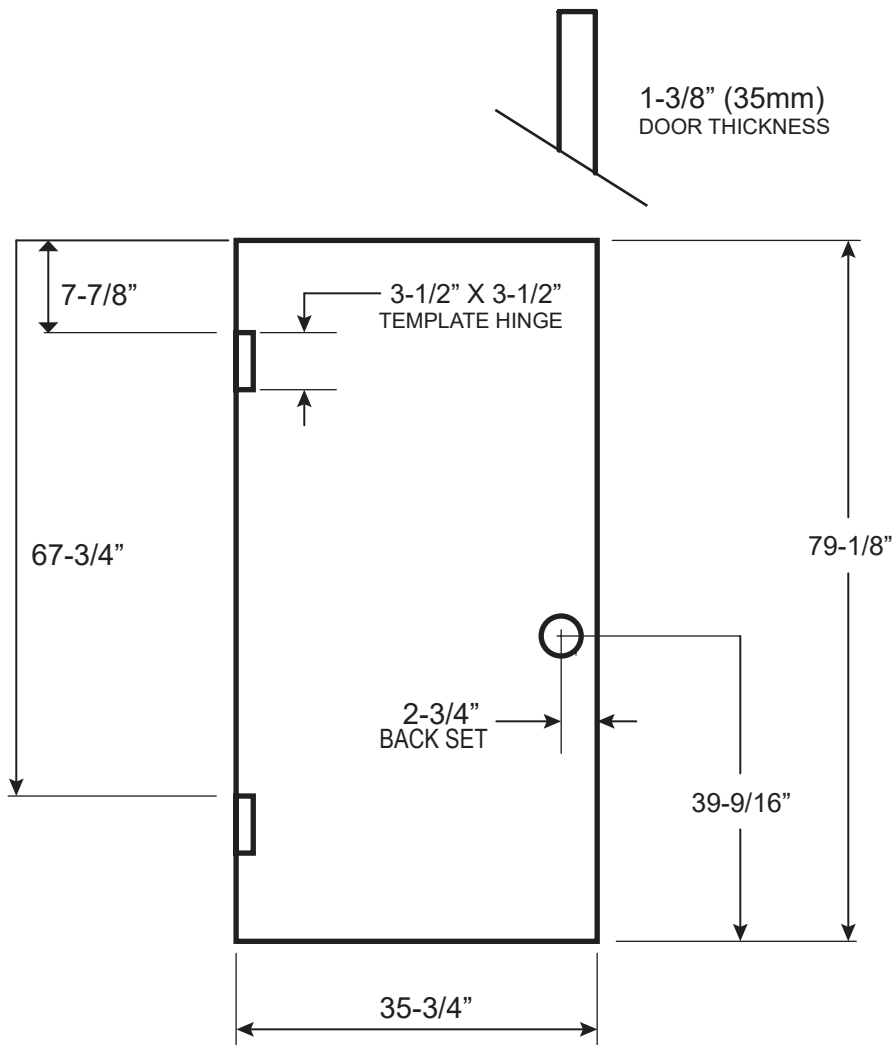
1112 Series Doors

18 GAUGE GALVANIZED, ROLLED SEAM

STOCK REVERSIBLE HONEYCOMB CORE FLUSH TOP

- 1-3/8" Thick
- Two Hinge 3.5" X 3.5" C-Prep
- Non-Handed
- Inverted Bottom
- Non-Fire Rated
- Meets and Exceeds Standards for ANSI 250.4 and 250.8

HAND	ITEM#	SIZE	PREP	GAUGE	LIST EACH
NON-HANDED	1112SPL	3068	C	18	\$634





1200 Series Flush Doors

20 GAUGE GALVANIZED, SEAMLESS

STOCK REVERSIBLE POLYSTYRENE CORE FLUSH DOORS

- Price includes closer reinforcement, fire label WHI 3HR Positive Pressure **(S)** Smoke label
- Meets and Exceeds Standards for ANSI 250.4 and 250.8
- Fire rated doors over 3'0" in width and up to 8'0" in height are available upon request
- Other locations and sizes are available. Consult factory

ITEM#	SIZE	PREP	GAUGE	LIST EACH
1201	3068	C	20	\$566
1205		MB		
1207	3070	C	20	594
1209		MB		


NOTES:



1300 Series Steel Stiffened Flush Doors

18 GAUGE GALVANIZED, SEAMLESS

STOCK HANDED / BEVELED LOCK SIDE ONLY, SQUARE EDGE

- Price includes closer reinforcement, fire label WHI 3HR Positive Pressure  Smoke label
- Meets and Exceeds Standards for ANSI 250.4 and 250.8
- Fire rated doors over 3'0" in width and up to 8'0" in height are available upon request
- Hinge side is square, lock side beveled
- Other locations and sizes are available. Consult factory

HAND	ITEM#	SIZE	PREP	GAUGE	LIST EACH
RH	1316R	3068	C	18	\$912
LH	1316L				
RH	1317R	3068	MB		912
LH	1317L				
RH	1318R	3068	BR		912
LH	1318L				
RH	1335R	3070	C		936
LH	1335L				
RH	1336R	3070	MB		936
LH	1336L				
RH	1337R	3070	BR		936
LH	1337L				




1400 Series Steel Stiffened Flush Doors

16 GAUGE GALVANIZED, SEAMLESS

STOCK HANDED / STEEL STIFFENED DOORS

BEVELED LOCK SIDE ONLY, SQUARE EDGE

- Price includes closer reinforcement, fire label WHI 3HR Positive Pressure  Smoke label
- Meets and Exceeds Standards for ANSI 250.4 and 250.8
- Hinge side is square and lock side beveled
- Other locations and sizes are available. Consult factory

HAND	ITEM#	SIZE	PREP	GAUGE	LIST EACH
RH	1435R	3070	C	16	\$995
LH	1435L				
RH	1436R	3070	MB	16	995
LH	1436L				
RH	1437R	3070	BR	16	995
LH	1437L				

NOTES:



MD1400 Max Duty Doors & Frames

14 GAUGE GALVANIZED

STOCK REVERSIBLE / POLYSTYRENE DOORS

DOORS	FRAMES
<ul style="list-style-type: none"> • 14 Gauge Door • 161 Prep and 3 Deadbolt Preps • 4 1/2" X 4 1/2" Heavy Duty Hinge Preparation • DKS Steel Door Locations • WHI Fire and smoke label 20 min to 3 hour • Meets and Exceeds Standards for ANSI 250.4 and 250.8 • 2 3/4" Backset • 3/8" Undercut 	<ul style="list-style-type: none"> • 12 Gauge Masonry Frame • ASA Strike Preparation • 4 1/2" X 4 1/2" Heavy Duty Hinge Preparation • DKS Steel Frame Locations • WHI Fire and smoke label 20 min to 3 hour • Other jamb depths available. Consult Factory • Price includes anchors. Please specify type; WS=Wood, SS=Steel Stud, MA=Masonry Wire

AVAILABLE AT TEXAS WAREHOUSE ONLY

MAX DUTY DOORS

ITEM#	SIZE	DESCRIPTION	GAUGE	LIST PRICE
MD2868	2868	Max-Duty Door	14	\$917
MD3068	3068			

MAX DUTY FRAMES

ITEM#	SIZE	HAND	DESCRIPTION	GAUGE	LIST PRICE
MD4086	2868	RH	5 3/4" Frame w/ 3DL & ASA	12	\$553
MD4087		LH			
MD4011		RH	8 3/4" Frame w/ 3DL & ASA		714
MD4012		LH			
MD4100	3068	RH	5 3/4" Frame w/ 3DL & ASA	12	553
MD4101		LH			
MD4800		RH	8 3/4" Frame w/ 3DL & ASA		714
MD4801		LH			



1500 Series Retrofit / Replacement Doors

18 GAUGE GALVANIZED

STOCK REVERSIBLE CORNER SEAM POLYSTYRENE FLUSH DOORS

- Price includes closer reinforcement
- Meets and Exceeds Standards for ANSI 250.4 and 250.8
- 7 Gauge Full Length Hinge Reinforcement
- Reversible Hinge Shims
- Lock Side Reinforced
- Non-Fire Rated
- Other sizes are available
Consult factory

ITEM#	SIZE	GAUGE	LIST EACH
1524*	3068	18	\$697
1544	2670		725
1545	2870		725
1547*	3070		725
1564*	3080		993
1548	4070		1018
1549*	3670		905
1569*	3080		993
1591*	4080		1247

* Also available in Houston warehouse

NOTES:



1600 Series Flush Doors

16 GAUGE GALVANIZED

STOCK REVERSIBLE SEAMLESS POLYSTYRENE FLUSH DOORS

- Price includes closer reinforcement, fire label WHI 3HR Positive Pressure (S) Smoke label
- Galvanized, Flush Top Inverted Bottom, Square Edged, Non-Handed
- 12 Gauge Closer Reinforcement, 7 Gauge Hinge Reinforcement
- Meets and Exceeds Standards for ANSI 250.4 and 250.8
- Choice of 3 Standard Lock Reinforcements (Cylindrical, FED 86 Edge, Blank PB Reinforced)

UP TO 8'0 TALL DOORS

ITEM#	SIZE	PREP	GAUGE	LIST EACH
1622	3068	C	16G	\$917
1601		MB		
1603		BR		
1604	3070	C	16G	957
1608		MB		
1611		BR		
1614	3080	C	16G	1203
1617		MB		
1620		BR		
1677	3470	C	16G	1072
1678		MB		
1679		BR		
1640	3668	C	16G	1050
1641		BR		
1649	3670	C	16G	1130
1650		MB		
1652		BR		
1661	3680	MB	16G	1230
1656	3870	C	16G	1239
1657		MB		
1658		BR		
1642	4068	C	16G	1228
1643		BR		
1654	4070	C	16G	1297
1655		MB		
1659		BR		
1644	4080	C	16G	1675
1645		BR		

NON-STOCK, SPECIAL FACTORY ORDER

ITEM#	SIZE	PREP	GAUGE	LIST EACH
1680	3090	C	16G	\$1452
1681		MB		
1682		BR		
1683	3490	C	16G	1889
1684		MB		
1685		BR		
1686	3690	C	16G	1962
1687		MB		
1688		BR		
1689	3890	C	16G	2345
1690		MB		
1691		BR		
1692	4090	C	16G	2771
1693		MB		
1694		BR		
3/4" BOTTOM UNDERCUT				

Available in Honeycomb & 3/8" Bottom Undercut.
Please consult factory

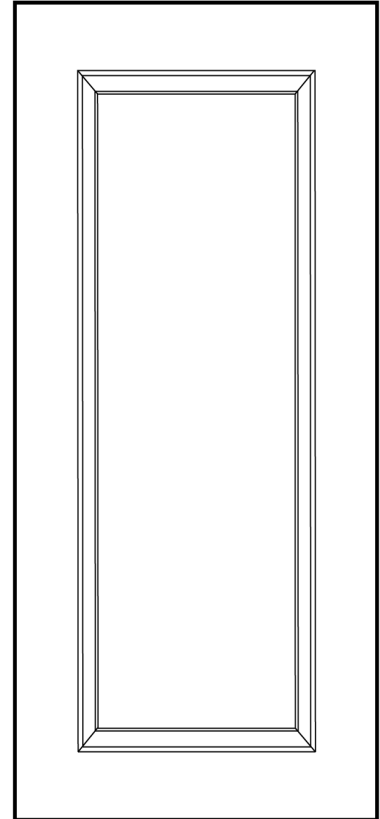


SP1900 Series Single Panel Doors

18 GAUGE GALVANIZED

STOCK REVERSIBLE SEAMLESS POLYSTYRENE SINGLE PANEL DOORS

- Price includes closer reinforcement, fire label WHI 3HR Positive Pressure **S** Smoke label
- Single Panel STC 28 rating
R & U value (pending, new testing ongoing)
- Meets and Exceeds Standards for ANSI 250.4 and 250.8
- Non-Handed Design
- Optional ADA Prep, consult factory



ITEM#	SIZE	PREP	GAUGE	LIST PRICE
SP1900	3068	C	18	\$675
SP1905	3070			701
SP1926	2668			661
SP1928	2868			675

NOTES:

Empty box for notes.



1900 Series 2-Panel Doors

18 GAUGE GALVANIZED

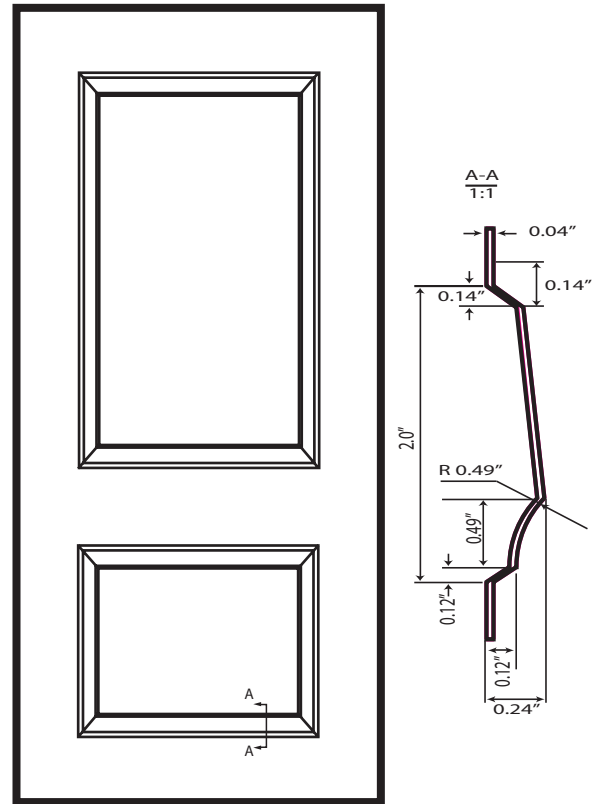
STOCK REVERSIBLE SEAMLESS POLYSTYRENE 2-PANEL DOOR REGULAR & 8'0 DOORS

- Price includes closer reinforcement, fire label WHI 3HR Positive Pressure, **(S)** Smoke label
- 2 Panel STC rating, 18 Gauge STC 28, R & U value (pending, new testing ongoing)
- Meets and Exceeds Standards for ANSI 250.4 and 250.8
- Full Body Polysterene Core
- Non-Handed Design

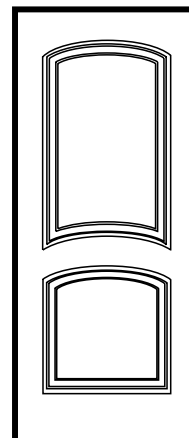
ITEM#	SIZE	PREP	GAUGE	LIST EACH
STOCK				
1900	3068	C	18	\$675
1901		MB		
1903		C/DL 5 1/2" C.T.C		727
1903CA		C/DL 5-1/2" C.T.C, CA-ADA		
*1905	3070	C	18	701
1906		MB		
1908CA		C/DL 5 1/2" C.T.C, CA-ADA		755
N1908CA		C/DL 5 1/2" C.T.C, NEW CA-ADA		
1966	3080	C	18	897
1967		MB		
1968		BR		
NON-STOCK (FACTORY ORDER ONLY)				
1902	3068	BR	18	898
1907	3070	BR	18	701
1908		C/DL 5 1/2" C.T.C		755

*Also available in PA warehouse

SEE PAGE D4 OF CATALOG FOR CA-ADA DETAILS



NON-STOCK (FACTORY ORDER ONLY)				
ITEM#	SIZE	PREP	GAUGE	LIST EACH
1910	3068	C	18	\$675
1911		MB		
1912		BR		727
1913		C/DL 5 1/2" C.T.C		
1914	3070	C	18	701
1915		MB		
1916		BR		755
1917		C/DL 5 1/2" C.T.C		





1700 Series 6 Panel Doors

18 & 20 GAUGE GALVANIZED

STOCK REVERSIBLE SEAMLESS POLYSTYRENE

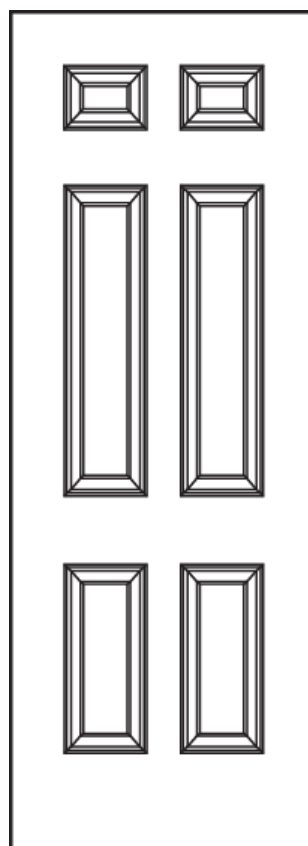
- Price includes closer reinforcement, fire label WHI 3HR Positive Pressure (S) Smoke label
- Fire rated doors over 3'0" in width and up to 8'0" in height are available upon request
- Other locations and sizes are available. Consult factory
- 20 Gauge STC 27
- 18 Gauge STC 28
- 18 Gauge STC 32 (SPECIAL ORDER ONLY)
- R & U value (pending, new test ongoing)

1700 SERIES 6-PANEL

ITEM#	SIZE	PREP	GAUGE	LIST EACH
18 GAUGE GALVANIZED				
1700	3068	C	18	\$622
1701		MB		
1702		BR		
1703		C/DL 5 1/2" C.T.C		675
1703CA		C/DL 5 1/2" C.T.C, CA-ADA		675
1709		C/DL 4" C.T.C		675
*1709CA	C/DL 4" C.T.C, CA-ADA	675		
1705	3070	C	18	655
1706		MB		
1707		BR		
1708		C/DL 5 1/2" C.T.C		701
1708CA		C/DL, 5 1/2" C.T.C, CA-ADA		701
1721	3068	C	20	566
1783	3070	C		594
1763	3080	C	18	897
1764		MB		
**1765		BR		

** Non-stock. Special order only.

SEE PAGE D4 OF CATALOG FOR CA-ADA DETAILS



STC 32, NON-STOCK, SPECIAL FACTORY ORDER ALLOW 13 WEEKS

ITEM#	SIZE	PREP	GAUGE	LIST EACH
32-1700	3068	C	18	\$688
32-1701		MB		
32-1702		BR		
32-1703		C/DL		742
32-1705	3070	C	18	713
32-1706		MB		
32-1707		BR		
32-1708		C/DL		776



1800 Series Flush Doors

18 GAUGE GALVANIZED SEAMLESS STOCK REVERSIBLE POLYSTYRENE

- Price includes closer reinforcement, fire label WHI 3HR Positive Pressure (S) Smoke label
- STC rating 26, R & U value (pending, new testing ongoing). Other locations and sizes are available
- Choice of 3 Standard Lock Reinforcements (Cylindrical, FED 86 Edge, Blank PB Reinforced)

DOOR MANUFACTURERS CHART (ALL DOORS ARE NON-HANDED)

CE	Ceco Location	DE	Dean Steel Location
CU	Curries Location	REP	Republic Location, for NEW REP locations, use DE
ME	Mesker Location, use DE Location	PIO	Pioneer Location, available at PA warehouse only

ITEM#	SIZE	PREP	GAUGE	LIST EACH
1801	2068	C	18	\$594
1802		MB		
1805		BR		
1835	2070	C	18	622
1836		MB		
1838		BR		
1851	2080	C	18	835
1857		BR		
1810	2468	C	18	594
1811		MB		
1875	2470	C	18	622
1876		MB		
1807	2668	C	18	594
1808		MB		
1809		BR		
1891	2670	C	18	622
1892		MB		
1893		BR		
1828	2680	C	18	835
1829		MB		
1825	2868	C	18	594
1826		MB		
1894	2870	C	18	622
1895		MB		
1869	21068	C	18	594
1870		MB		
1871		BR		
1897	21070	C	18	622
1898		MB		
1899		BR		
1886	21080	C	18	835
1889		BR		

ITEM#	SIZE	PREP	GAUGE	LIST EACH
1813	3068	C	18	\$594
*1815CA		C/DL, 4" CTC, CA-ADA		634
1815		C/DL 4" CTC		634
1816		C/DL, ADA 7-11/16" CTC		
1817		C/DL, 5-1/2" CTC		
*1817CA		C/DL 5-1/2", CA-ADA		634
*N1817CA		C/DL 5-1/2", CA-ADA		
1818		MB		594
1824		BR		
1413		T		
1839		3070		C/DL, ADA 7-11/16" CTC
1840	C		622	
*1841CA	C/DL 5-1/2", CA-ADA		661	
*N1841CA	C/DL 5-1/2", CA-ADA		661	
1841	C/DL, 5-1/2" CTC		661	
1843	C/DL, 4" CTC			
*1843CA	C/DL, 4" CTC, CA-ADA		661	
1844	MB		622	
1847	BR			
1440	T			
1848	3072		C	18
1845		MB		
1846		BR		
1863	3080	C	18	850
1862		MB		
1864		BR		
1819	3468	C	18	754
1820		MB		
1806		BR		
1821	3470	C	18	774
1814		MB		
**1883	3480	C	18	849
1830	3668	C	18	754
1831		MB		
1832		BR		
*1849	3670	C	18	774
*1850		MB		
*1852		BR		

* Also available in Houston TX warehouse

** Also available in PA warehouse

SEE PAGE D4 OF CATALOG FOR CA-ADA DETAILS

CONTINUED ON NEXT PAGE



1800 Series Flush Doors CONTINUED

18 GAUGE GALVANIZED SEAMLESS

STOCK REVERSIBLE POLYSTYRENE FLUSH DOORS

DOOR MANUFACTURERS CHART (ALL DOORS ARE NON-HANDED)

CE	Ceco Location	DE	Dean Steel Location
CU	Curries Location	REP	Republic Location (for NEW REP locations, use DE)
ME	Mesker Location, use DE Location	PIO	Pioneer Location, available at PA warehouse only

- Price includes closer reinforcement, fire label WHI 3HR Positive Pressure **(S)** Smoke label
- STC rating 26, R & U value (pending, new test ongoing), Other locations and sizes are available
- Choice of 3 Standard Lock Reinforcements (Cylindrical, FED 86 Edge, Blank PB Reinforced)

CONTINUATION				
ITEM#	SIZE	PREP	GAUGE	LIST EACH
1860	3680	C	18	\$977
1861		MB		
1834	3868	C	18	847
1837		MB		
1842		BR		
*1853	3870	C	18	870
*1858		MB		
*1856		BR		
1872	4068	C	18	847
1873		MB		
1874		BR		
*1854	4070	C	18	870
*1855		MB		
*1859		BR		
*1865	4080	C	18	1039
*1866		MB		
*1868		BR		

* Also available in Houston TX warehouse



1800 Series Flush Doors CONTINUED

18 GAUGE GALVANIZED SEAMLESS

STOCK REVERSIBLE POLYSTYRENE FLUSH DOORS

DOOR MANUFACTURERS CHART (ALL DOORS ARE NON-HANDED)

CE	Ceco Location	DE	Dean Steel Location
CU	Curries Location	REP	Republic Location (for NEW REP locations, use DE)
ME	Mesker Location, use DE Location	PIO	Pioneer Location, available at PA warehouse only

- Price includes closer reinforcement, fire label WHI 3HR Positive Pressure **(S)** Smoke label
- STC rating 26, R & U value (pending, new test ongoing), Other locations and sizes are available
- Choice of 3 Standard Lock Reinforcements (Cylindrical, FED 86 Edge, Blank PB Reinforced)

CONTINUATION				
ITEM#	SIZE	PREP	GAUGE	LIST EACH
CECO LOCATION DOORS				
CE1813	3068	C	18	\$594
CE1818		MB		
CE1824		BR		
CE1840	3070	C	18	622
CE1844		MB		
CE1847		BR		
CURRIES LOCATION DOORS				
CU1813	3068	C	18	594
CU1818		MB		
CU1824		BR		
CU1840	3070	C	18	622
CU1844		MB		
CU1847		BR		
CU1854	4070	C		870
CU1855		MB		

ITEM#	SIZE	PREP	GAUGE	LIST EACH
DEAN STEEL, MESKER AND (NEW) REPUBLIC LOCATION DOORS				
DE1813	3068	C	18	\$594
DE1818		MB		
DE1824		BR		
DE1840	3070	C	18	622
DE1844		MB		
DE1847		BR		
PIONEER LOCATION DOORS				
**PIO1813	3068	C	18	594
**PIO1818		MB		
**PIO1840	3070	C	18	622
**PIO1844		MB		
(OLD) REPUBLIC LOCATION DOORS				
***REP1813	3068	C	18	594
***REP1818		MB		
***REP1824		BR		
REP1840	3070	C	18	622
REP1844		MB		
REP1847		BR		

***Use 1813, 1818, 1824 for REP1813, REP1818 & REP1824 respectively.


** Available in PA warehouse only



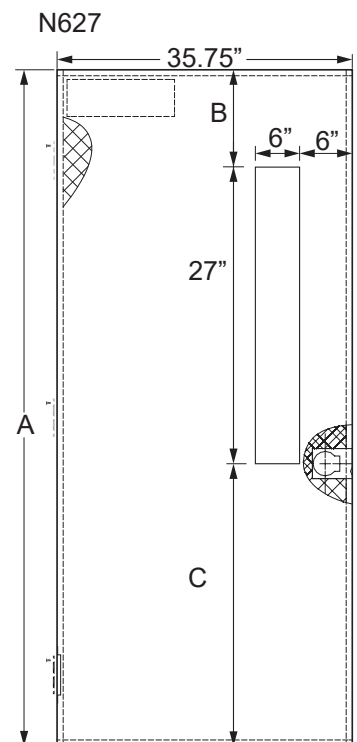
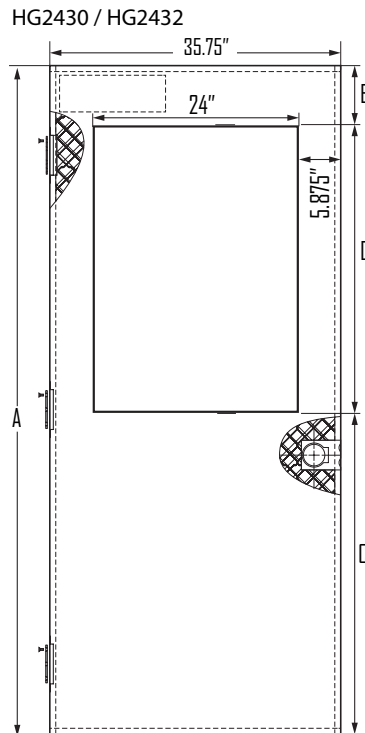
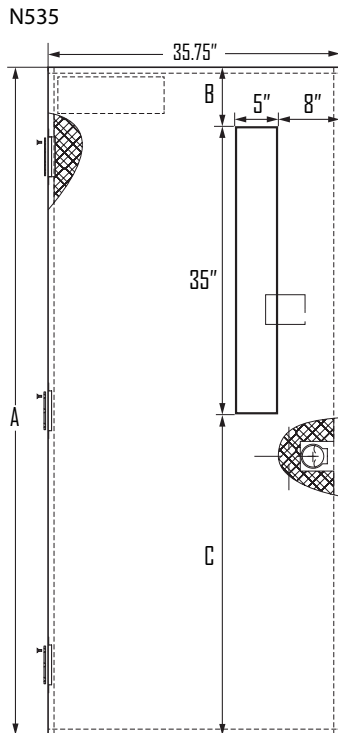
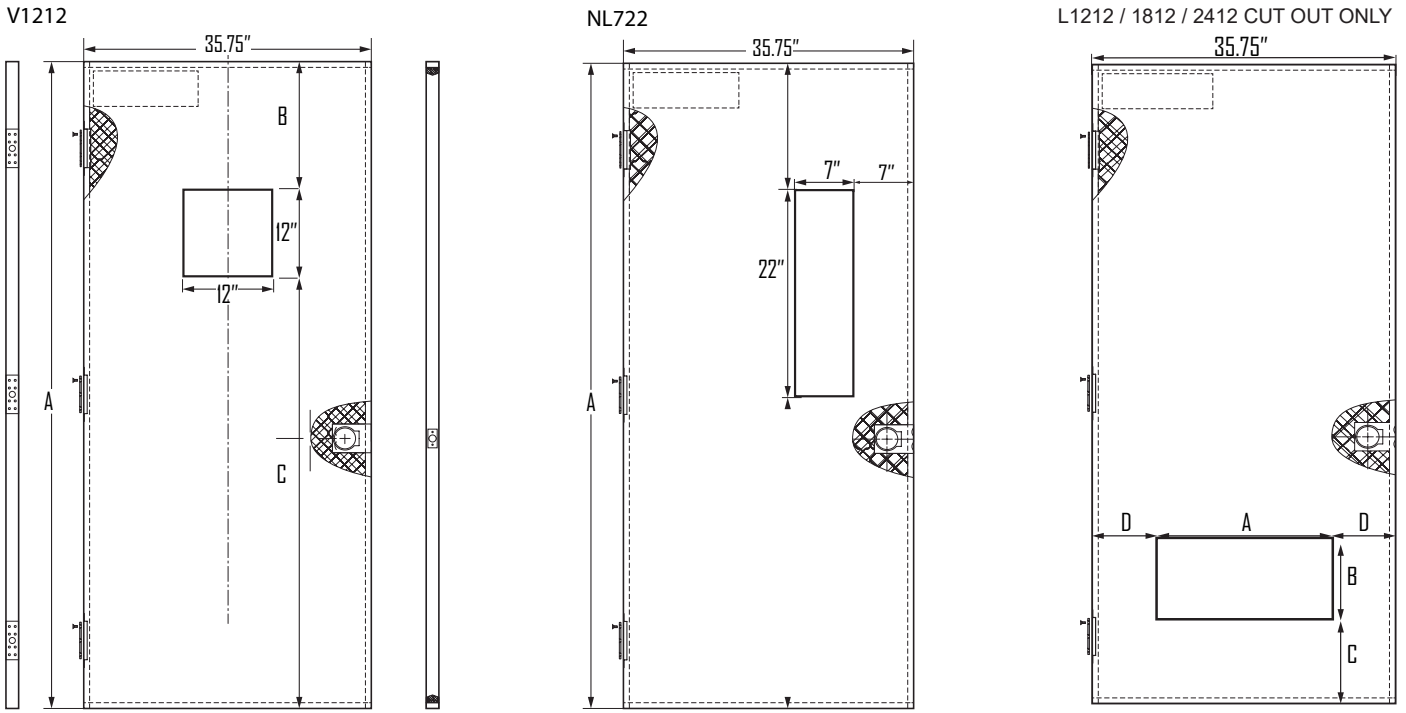
1800 Series Doors with Cutouts

18 GAUGE GALVANIZED SEAMLESS

STOCK REVERSIBLE POLYSTYRENE DOORS WITH CUTOUTS

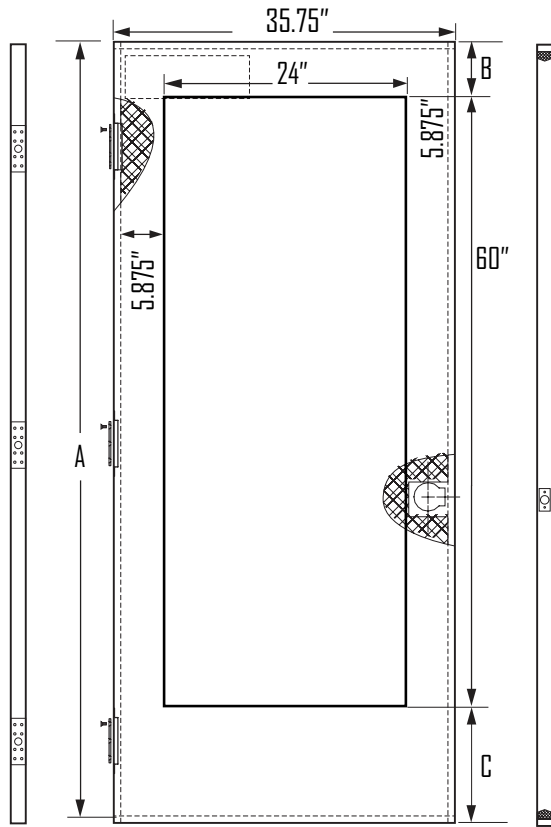
- Price includes closer reinforcement, appropriate WHI fire label Positive Pressure,  Smoke label
- STC rating 26, R & U value (pending, new test ongoing)
- Other locations and sizes are available

ITEM#	SIZE	DESCRIPTION	LOCK	CUT OUT SIZE	GAUGE	LIST PRICE
1813V	3068	Vision Lite	C	12 x 12	18	\$675
1818V			MB			
1840V	3070		C			701
1844V			MB			
1813NL	3068	Narrow Lite	C	7 x 22	18	647
1813NLA			C	6 x 27		615
1824NL			BR	6 x 27		615
1813N			C	5 x 35		675
1840NL	3070		C	7 x 22		675
1847NL			BR	6 x 27		642
1840N			C	5 x 35		701
1813HG			3068	Half Glass		C
1840HG	3070	24 x 32	714			
1840FG	3070	Full Glass	C	24 x 60	18	742
1844FG			MB			
1813L1-1212	3068	Louver	C	12 x 12	18	675
1818L1-1212			MB			
1840L1-1212	3070		C			701
1844L1-1212			MB			
1813L1-1812	3068		C	18 x 12		688
1818L1-1812			MB			
1840L1-1812	3070		C			714
1844L1-1812			MB			
1813L1-2412	3068	C	24 x 12	701		
1818L1-2412		MB				
1840L1-2412	3070	C		727		
1844L1-2412		MB				

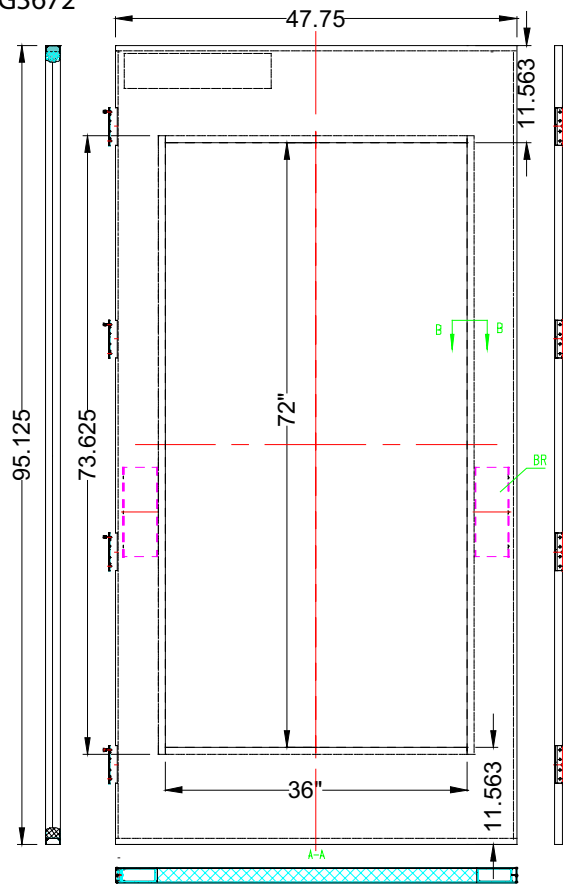




FG2460



FG3672



N627

CUT-OUT DIMENSION TABLE

TYPE	DOOR HEIGHT	A	B	C	D
V1212	6'8"	79.125"	11.0"	56.125"	-
	7'0"	83.125"	15.0"		-
	8'0"	95.125"	26.0"	57.125"	-
NL722	6'8"	79.125"	11.0"	46.125"	-
	7'0"	83.125"	15.0"		-
	8'0"	95.125"	26.0"	47.125"	-
N535	6'8"	79.125"	2.875"	41.25"	-
	7'0"	83.125"	6.875"		-
	8'0"	95.125"	6.875"	53.25"	-
FG2460	6'8"	79.125"	8.0"	1.125"	-
	7'0"	83.125"	8.0"		5.125"
	8'0"	95.125"	8.0"	7.125"	-
FG36672	8'0"	95.125"	11.563"	11.563"	-
HG2430/HG2432	6'8"	79.125"	7.875"	41.25"	30.0"
	7'0"	83.125"	11.875"		
	8'0"	95.125"	11.875"	53.25"	32.0"
	6'8"	79.125"	5.875"	41.25"	
	7'0"	83.125"	9.875"	53.25"	
8'0"	95.125"	9.875"			
N627	6'8"	79.125"	11.125"	41.0"	-
	7'0"	83.125"	15.0"	41.125"	-
L1212/1812/2412 LOUVER CUTOUT ONLY	-	12.0"	12.0"	13"	EQUAL
	-	18.0"	12.0"	13"	EQUAL
	-	24.0"	12.0"	13"	EQUAL



1800 Series Polystyrene Flush Inactive Doors

18 GAUGE GALVANIZED FOR ALL MAJOR MANUFACTURERS LOCATION
STOCK REVERSIBLE CORNER SEAM POLYSTYRENE FLUSH DOORS

- Price includes closer reinforcement, fire label WHI 3HR, Positive Pressure **(S)** Smoke label
- Other locations and sizes are available

DOOR MANUFACTURERS CHART

CE	Ceco Location (non handed)
CU	Curries Location (non handed)
REP	Republic Location (non handed)

ALL INACTIVE DOORS ARE PREPARED FOR, AND PRICES INCLUDES:

- FLUSH BOLT GUIDES, TOP & BOTTOM
- LOOSE WRAP AROUND HANDED ASTRAGAL WITH FLUSHBOLT AND ASA PREP

- * To be used for Steel Craft, Amweld and Republic locations
- ** To be used for Steel Craft, Amweld locations

INACTIVE DOORS				
HAND	ITEM#	SIZE	GAUGE	LIST EACH
RH LH	1807 IA	2668	18	\$768
RH LH	1826 IA	2868	18	768
RH LH	CE1813 IA	3068	18	768
RH LH	1813 IA *			768
RH LH	CU1813 IA			768
RH LH	CE1840 IA	3070	18	796
RH LH	CU1840 IA			796
RH LH	REP1840 IA			796
RH LH	1840 IA **			796
RH LH	1863 IA	3080	18	1088
RH LH	1872 IA	4068	18	1097

1800 & 1600 Series Polystyrene Flush Doors

PREPARED FOR FULL MORTISE CONTINUOUS HINGE APPLICATION

- Price includes closer reinforcement, fire label WHI 3HR, Positive Pressure **(S)** Smoke label
- 15/32" undercut on door width to fit most major manufacturers continuous hinge

18 GAUGE GALVANIZED				
ITEM#	SIZE	PREP	GAUGE	LIST EACH
*1813CHI	3068	C	18	\$647
1818CHI		MB		
1824CHI		BR		
*1840CHI	3070	C	18	675
*1847CHI		BR		
*1863CHI	3080	C	18	922
1862CHI		MB		
1864CHI		BR		
G1849CH	3670	C	18	1130
G1850CH		MB		
**1874CHI	4068	BR	18	717
G1854CH	4070	C	18	1088
G1855CH		MB		

16 GAUGE GALVANIZED				
ITEM#	SIZE	PREP	GAUGE	LIST EACH
G1608CH	3070	MB	16	\$957
G1611CH		BR		
G1649CH	3670	C	16	1194
G1650CH		MB		
G1654CH	4070	C	16	1297
G1655CH		MB		


- * Also available in Houston TX warehouse
- ** Also available in PA warehouse



2000 Series Honeycomb Flush Doors

18 GAUGE GALVANIZED SEAMLESS

STOCK REVERSIBLE HONEYCOMB FLUSH DOORS INCLUDING INACTIVE PAIRED DOORS

- Price includes closer reinforcement, fire label WHI 3HR Positive Pressure  Smoke label
- Other locations and sizes are available. Consult factory
- All inactive doors are prepared for, and price includes:
ASA Strike, Manual/Auto Flush Bolt Prep and Loose Flat Astragal

R value (pending, new test ongoing)

ACTIVE / SINGLE DOORS				
ITEM#	SIZE	PREP	GAUGE	LIST EACH
2013	3068	C	18	\$594
2018		MB		
2024		BR		
2035	2070	C		622
2091	2670	C		622
2040	3070	C		622
2044		MB		
2047		BR		
2048	3470	C		774
2014		MB		
2049	3670	C		774
2050		MB		
2052		BR		
2051	3870	C		870
2063	3080	C		850
2062		MB		
2064		BR		
2054	4070	C	870	
2055		MB		
2059		BR		
2065	4080	C	1069	
2066		MB		
2068		BR		

INACTIVE DOORS					
HAND	ITEM#	SIZE	PREP	GAUGE	LIST EACH
RH	2001RIA	2070	FB/ASA	18	\$791
LH	2001LIA				
RH	2002RIA	2068	FB/ASA		760
LH	2002LIA				
RH	2003RIA	2670	FB/ASA		791
LH	2003LIA				
RH	*2006RIA	3068	FB/ASA		760
LH	*2006LIA				
RH	*2007RIA	3070	FB/ASA		791
LH	*2007LIA				
RH	2012RIA	3470	FB/ASA		984
LH	2012LIA				
RH	2008RIA	3670	FB/ASA		984
LH	2008LIA				
RH	2009RIA	3080	FB/ASA		1080
LH	2009LIA				
RH	2016RIA	3680	FB/ASA	1242	
LH	2016LIA				
RH	2010RIA	4070	FB/ASA	1107	
LH	2010LIA				
RH	2011RIA	4080	FB/ASA	1347	
LH	2011LIA				

* Also available in Houston TX warehouse



6000 Series Double Egress Doors

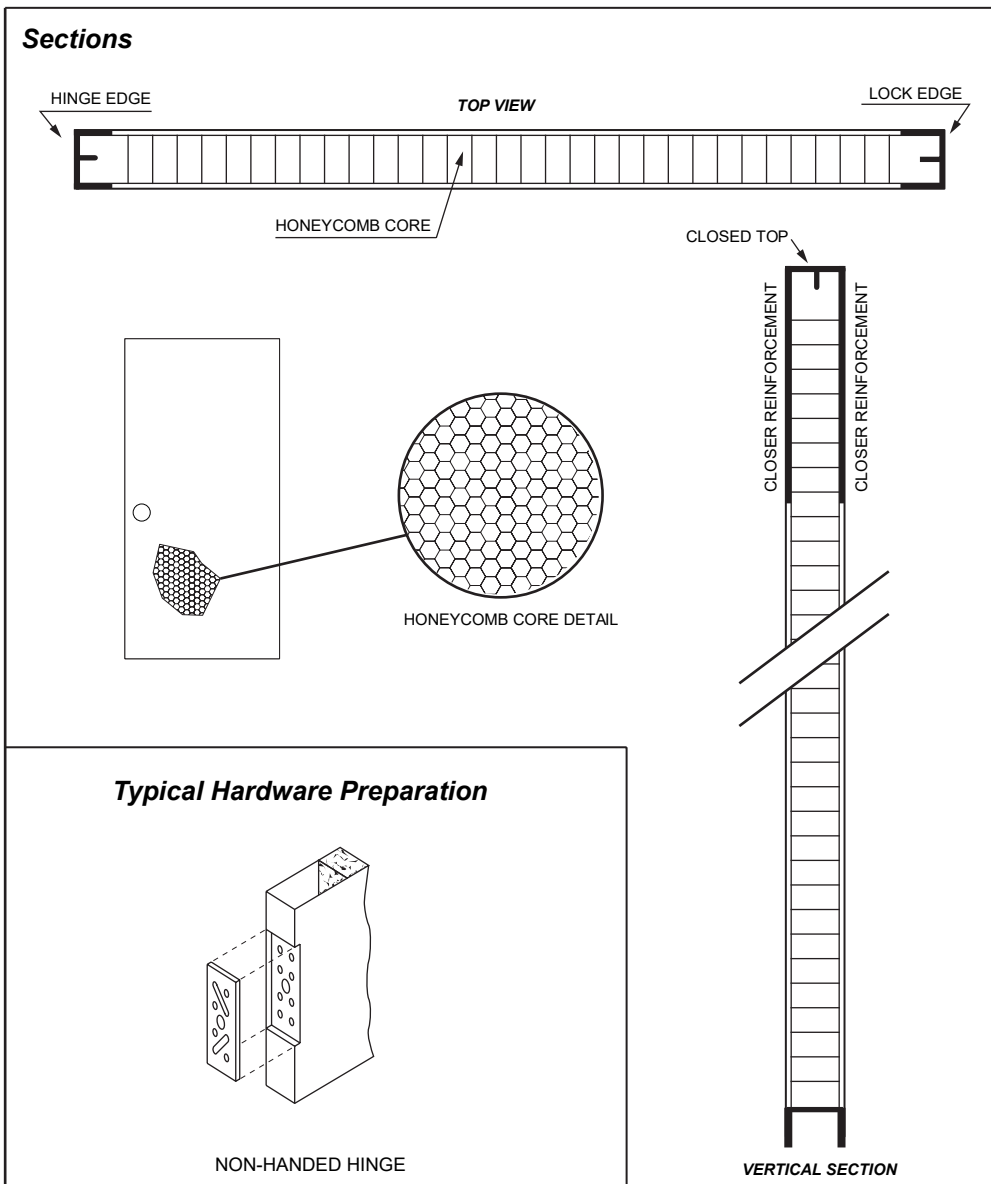
18 GAUGE GALVANIZED SEAMLESS

STOCK REVERSIBLE HONEYCOMB

DOUBLE EGRESS FLUSH DOORS

- Price includes closer reinforcement, WHI 3HR listing, Blank surface V/R reinforcement
- Other locations and sizes are available. Consult factory

ITEM#	SIZE	PREP	GAUGE	LIST EACH
6013	3068	BR SVR	18	\$647
6040	3070	BR SVR	18	682
6060	3080	BR SVR	18	938





9000 Series Temperature Rise Doors

16 & 18 GAUGE GALVANIZED

STOCK REVERSIBLE 250° TEMPERATURE RISE FLUSH DOORS

- Price includes closer reinforcement, WHI 90 min. 250° temperature rise fire label
- Other locations and sizes are available. Consult factory
- MIN = Mineral Core

ITEM#	SIZE	CORE	PREP	GAUGE	LIST EACH	
9000	3068	MIN	C	18	\$1370	
9002			MB			
9003			BR			
9030	3070		C		1384	
9033			BR			
9041	3080		C			1697
9043			BR			
9050	3068		MIN	C	*16	1465
9055	3070					1498
9065	3080	1842				

*Non-stock. Factory order only.


NOTES:



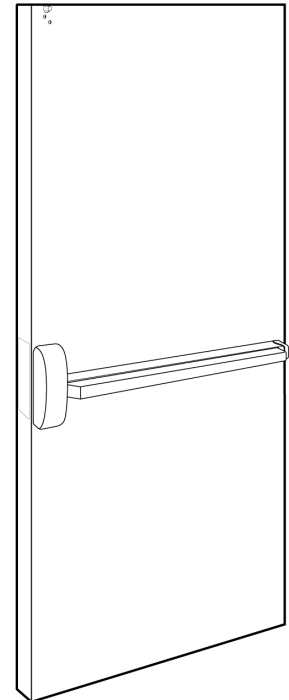
CVR Series Doors

16 & 18 GAUGE GALVANIZED

CONCEALED VERTICAL ROD REINFORCED STOCK REVERSIBLE DOORS

- Price includes closer reinforcement, WHI 3HR Positive Pressure  Smoke label
- Other locations and sizes are available. Consult factory
- 5/8" Bottom Undercut

ITEM#	SIZE	PREP	GAUGE	LIST EACH
CVR1611	3070	BR/CVR	16	\$978
CVR1620	3080			1302
CVR1652	3670			1142
CVR1659	4070			1290
CVR1847	3070	BR/CVR	18	890
CVR1852	3670			1110
CVR1859	4070			1244
CVR1864	3080			1526



NOTES:



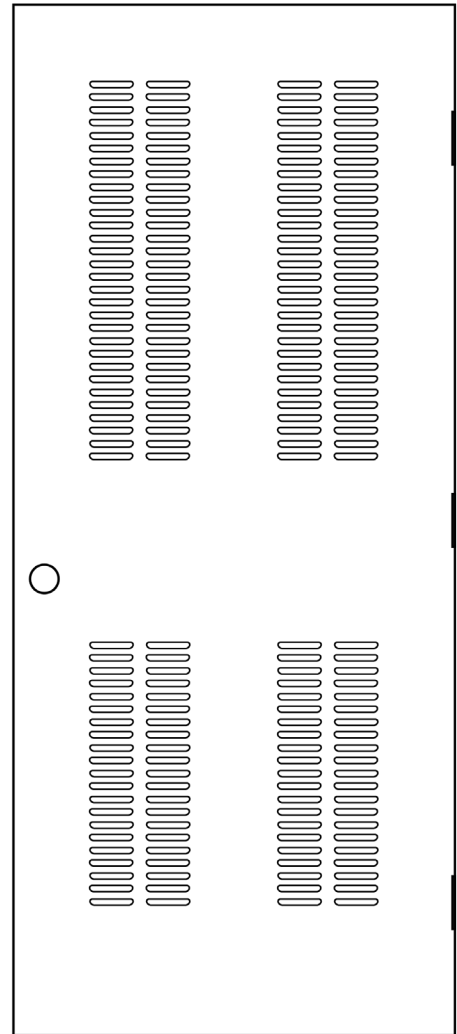
LV7000 Series Metal Louver Utility Doors

24 GAUGE GALVANIZED

HONEYCOMB CORE, NON-HANDED DESIGN

- Matches Timely’s residential frame hinge and strike locations
- Reversible Residential Hinge 4” x 4”, gauge .097”
- Flush Top / Inverted Bottom
- 1³/₄” door thickness
- Lock location 60” for 8’0” doors; 44” for 6’8” doors x 2³/₈” backset with 1 x 1¹/₄” square corner face plate
- Lock preparation (161) Cylindrical or Blank Reinforced (BR)
- Wood reinforced hinge and lock locations
- Prime Paint Finish, Powder Coat
- Non-Fire Rated

ITEM#	SIZE	PREP	GAUGE	LIST EACH
LV7001	2068	C	24	\$550
LV7005	2068	BR		
LV7010	2468	C		574
LV7007	2668	C		582
LV7009	2668	BR		
LV7069	21068	C		622
LV7071	21068	BR		
LV7013	3068	C		631
LV7024	3068	BR		
LV7051	2080	C		647
LV7028	2680	C		685
LV7086	21080	C		744
LV7063	3080	C		763

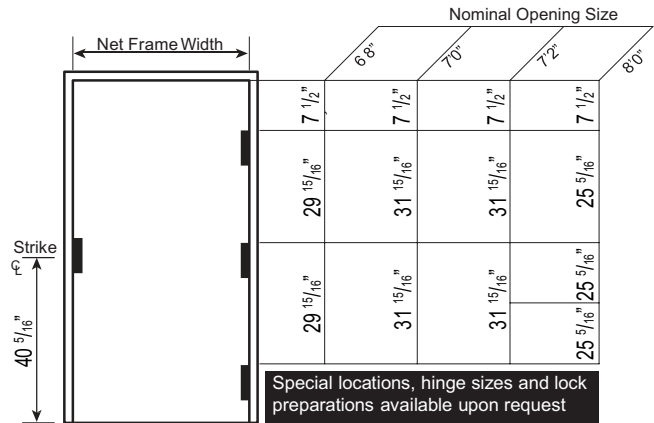
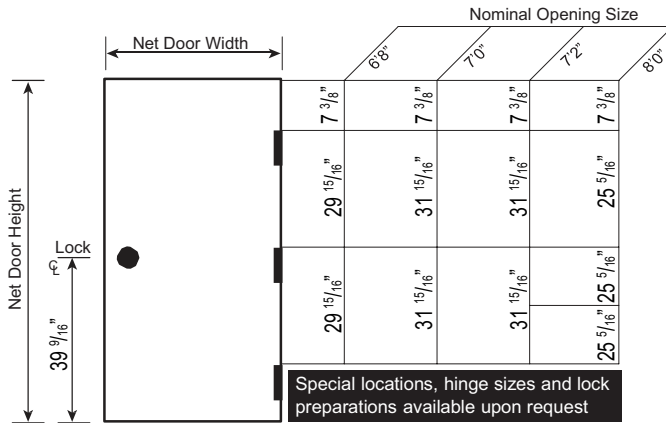


NOTES:



DOOR AND FRAME LOCATIONS

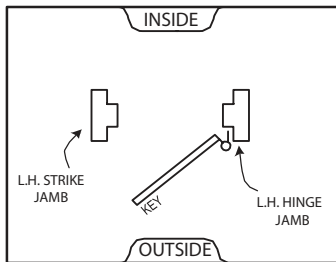
Standard Hardware Locations 4-1/2" Hinge



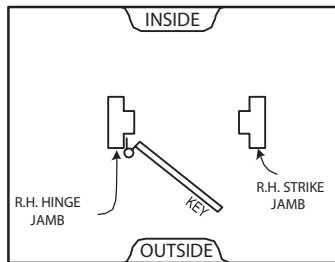
DOOR HANDING

SINGLE SWING DOORS

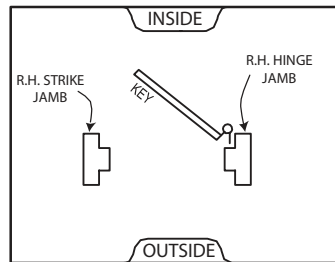
When door swings towards you and hinges are on the right side of the door - Door is R.H.R. / Frame is L.H.
 When door swings inside and hinges are on right side of the door - Door is R.H. / Frame is R.H.



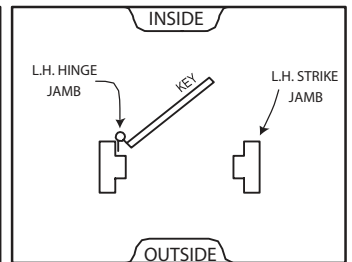
Right Hand Reverse Door (Swing Out) Left Hand Frame



Left Hand Reverse Door (Swing Out) Right Hand Frame



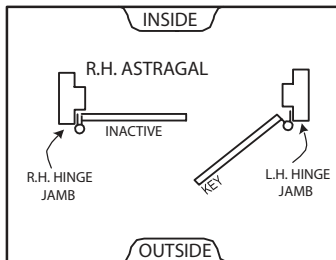
Right Hand Door (Swing In) Right Hand Frame



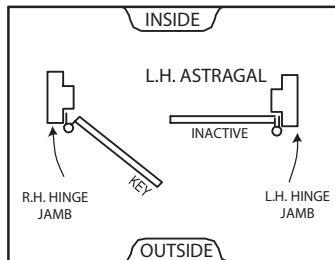
Left Hand Door (Swing In) Left Hand Frame

DOUBLE DOORS

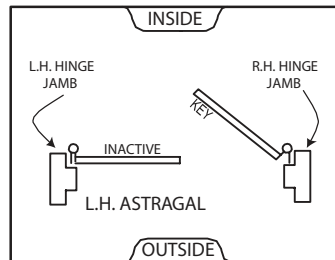
When door leaf swings towards you and hinges are on the right side of active leaf - Door is R.H.R. Active / Frame is L.H. Active
 When door leaf swings inside and hinges are on right side of active leaf - Door is R.H. Active / Frame is R.H. Active



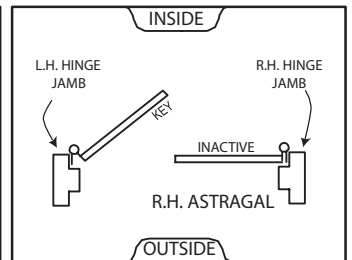
Pair of Doors - R.H.R Active (Swing Out) Double Door Frame L.H. Active



Pair of Doors - L.H.R Active (Swing Out) Double Door Frame R.H. Active



Pair of Doors - R.H. Active (Swing In) Double Door Frame R.H. Active



Pair of Doors - L.H. Active (Swing In) Double Door Frame L.H. Active

DKS

FRAMES

**LIST PRICES
APRIL 2024**




TABLE OF CONTENTS	
ITEM / SERIES	PAGE NO.
3000 Series Double Egress Frames, 16 Gauge Galvanized	F1
EXP 4000 Expandable Masonry Frames, 16 Gauge Galvanized	F2-F3
4000 Series Masonry Frame Components, 16 Gauge Galvanized	F4-F7
4500 Series Masonry Double Door Frames, 16 Gauge Galvanized	F8
4000 Series Masonry Frame, Single Rabbet Blank Jamb, 16 Gauge Galvanized	F9
4000 Series Masonry Frames, 16 Gauge, Galvanized For Curries, Dean Steel / Mesker and Pioneer Locations	F10
4100 Series Masonry Frames, 14 Gauge Galvanized	F11-F12
EXP 5000 Expandable Drywall Frames, 16 Gauge Galvanized	F13-F14
5000 Series Drywall Frames, 16 Gauge Galvanized, Unequal Rabbet	F15-F17
5000 Series Drywall Frames, 16 Gauge Galvanized, Unequal Rabbet For Curries, Dean Steel / Mesker and Pioneer Locations	F18
7000 Series Stock Blank Masonry Stick Material, Galvanized 16 & 14 Gauge	F19
Blank and Double Bore Strike Jambs Material, 16 Gauge Galvanized	F20
8000 Series Stock Blank Drywall Stick Material , 16 Gauge Galvanized	F21
7500-7800 Series Fabrication Components, 16 Gauge Galvanized	F22
7500 Series Fab Stick and Mullion Profiles, Galvanized	F23



3000 Series Double Egress Frames

16 GAUGE GALVANIZED

STOCK DOUBLE EGRESS FRAMES

- Jamb depths from 4.0" up to 9.75" available with lead time. Consult factory
- WHI 3 HR listing,  smoke label
- Price includes L-STRAP anchors welded in

HAND	ITEM #	SIZE	TYPE/ GAUGE	DEPTH	LABEL	LIST EACH
RH	3000	6068	16	5.75"	WHI-3	\$583
LH	3001					
RH	3004	6070				611
LH	3005					
RH	3002	8068				610
LH	3003					
RH	3008	8070				638
LH	3009					
RH	3010	6080				659
LH	3011					
RH	3012	8080				686
LH	3013					
RH	3199	6068	16	7.125"	WHI-3	696
LH	3198					
RH	3200	6070				696
LH	3201					
RH	3116	8070				723
LH	3117					
RH	3202	6070				728
LH	3203					
RH	3204	6080				804
LH	3205					
RH	3210	8070				757
LH	3211					
RH	3212	8080	833			
LH	3213					

FRAME COMPONENTS				
PART	HAND	ITEM #	SIZE	LIST EA.
DEPTH: 5.75"				
HINGE JAMB	RH	DE68575HJR	6'8"	\$204
	LH	DE68575HJL		
	RH	DE70575HJR	7'0"	218
	LH	DE70575HJL		
HEAD	RH	DE80575HJR	8'0"	242
	LH	DE80575HJL		
	RH	DE60575HR	6'0"	175
	LH	DE60575HL		
RH	DE80575HR	8'0"	202	
LH	DE80575HL			
DEPTH: 7.125"				
HINGE JAMB	RH	DE687125HJR	6'8"	233
	LH	DE687125HJL		
	RH	DE707125HJR	7'0"	233
	LH	DE707125HJL		
HEAD	RH	DE607125HR	6'0"	230
	LH	DE607125HL		
	RH	DE807125HR	8'0"	257
	LH	DE807125HL		
DEPTH: 7.25"				
HINGE JAMB	RH	DE70725HJR	7'0"	245
	LH	DE70725HJL		
	RH	DE80725HJR	8'0"	283
	LH	DE80725HJL		
HEAD	RH	DE60725HR	6'0"	238
	LH	DE60725HL		
	RH	DE80725HL	8'0"	267
	LH	DE80725HR		



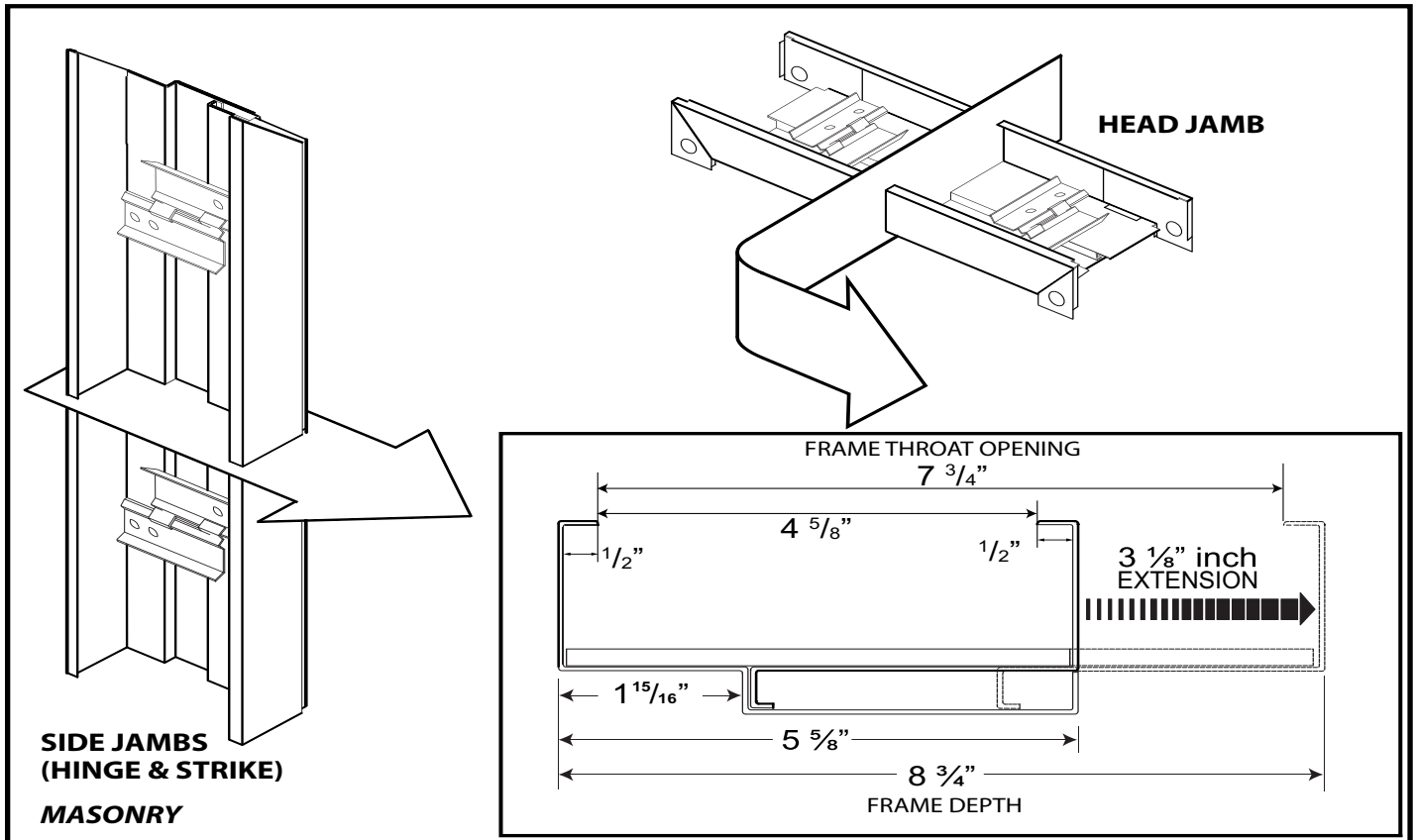
EXP 4000 Expandable Masonry Frames

16 GAUGE GALVANIZED

5.625" to 8.75" DEPTH EXPANDABLE MASONRY FRAME

- 90 Minute WHI Mark as Standard
- 12-Gauge ASA Strike Reinforcement
- Four 7-Gauge 4.5" x 4.5" Hinge Reinforcements for 8' Doors
- Three 7-Gauge 4.5" x 4.5" Hinge Reinforcements for 6'8" and 7'0" Doors

REFER TO NEXT PAGE FOR STOCK ITEMS



COMPLETE FRAME SIZES			
	WIDTH	HEIGHT	LIST PRICE
S I N G L E	3'0"	6'8"	\$532
		7'0"	548
		8'0"	576
	3'6"	6'8"	547
		7'0"	564
		8'0"	591
	4'0"	6'8"	559
		7'0"	575
		8'0"	603
P A I R	6'0"	6'8"	611
		7'0"	626
		8'0"	655

FRAME COMPONENTS		
PART	LENGTH	LIST PRICE
HINGE JAMB	6'8"	\$229
	7'0"	237
	8'0"	251
STRIKE JAMB	6'8"	217
	7'0"	226
	8'0"	239
SINGLE HEAD	3'0"	86
	3'6"	101
	4'0"	113
PAIR HEAD	6'0"	153

HOW TO ORDER		
Example: 3070 Part # 5625 (5.625" to 8.75") Expandable Masonry Right Hand Frame		
TYPE	SIZE	PART
X	305625	H
X	705625	HJR
X	705625	SJR
TYPE	X (Expandable Masonry)	
SIZE	Width / Height	
PART	H (Head), HJ (Hinge Jamb Right or Left), SJ (Strike Jamb Right or Left), PR (Pair Head)	



EXP 4000 Expandable Masonry Frames

16 GAUGE GALVANIZED

5.625" to 8.75" DEPTH EXPANDABLE MASONRY FRAME

- 90 Minute WHI Mark as Standard
- 12-Gauge ASA Strike Reinforcement
- Four 7-Gauge 4.5" x 4.5" Hinge Reinforcements for 8' Doors
- Three 7-Gauge 4.5" x 4.5" Hinge Reinforcements for 6'8" and 7'0" Doors

HAND	ITEM #	SIZE	LIST EA.
DEPTH: 5.625" TO 8.75" SINGLE			
RH	4012	3068	\$532
LH	4013		
RH	4014	3070	549
LH	4015		
RH	4016	3080	576
LH	4017		
RH	4018	3668	547
LH	4019		
RH	4020	3670	564
LH	4021		
RH	4022	3680	591
LH	4023		
RH	4024	4068	559
LH	4025		
RH	4026	4070	576
LH	4027		
RH	4028	4080	603
LH	4029		
DEPTH: 5.625" TO 8.75" PAIR			
PAIR	4030	6068	611
PAIR	4031	6070	627
PAIR	4032	6080	655

FRAME COMPONENTS				
PART	HAND	ITEM #	SIZE	LIST EA.
DEPTH: 5.625" TO 8.75"				
HINGE JAMB	RH	X685625HJR	6'8"	\$229
	LH	X685625HJL		
	RH	X705625HJR	7'0"	237
	LH	X705625HJL		
	RH	X805625HJR	8'0"	251
	LH	X805625HJL		
STRIKE JAMB	RH	X685625SJR	6'8"	217
	LH	X685625SJL		
	RH	X705625SJR	7'0"	226
	LH	X705625SJL		
	RH	X805625SJR	8'0"	239
	LH	X805625SJL		
SINGLE HEAD		X305625H	3'0"	86
		X365625H	3'6"	101
		X405625H	4'0"	113
PAIR HEAD		XPR605625H	6'0"	153



4000 Series Masonry Frames

16 GAUGE GALVANIZED

COMPLETE MASONRY FRAMES UNEQUAL RABBET

- Fire label WHI 3HR Positive Pressure, Smoke label
- Masonry frames are prepared for ASA strike
- Price includes anchors. Please specify type;
ANCHORS: WS = Wood Stud, SS = Steel Stud, MA = Masonry Wire
- Other Jamb depths are available with lead time. Consult factory

**REFER TO NEXT PAGE
FOR STOCK ITEMS**

	WIDTH	HEIGHT	4.25-5.75	5.875-6.75	6.875-7.75	7.875-8.75	8.875-9.75	9.875-13.00
S I N G L E	2'0", 2'4" 2'6", 2'8" 2'10", 3'0"	6'8"	\$323	\$351	\$374	\$396	\$673	\$956
		7'0"	338	359	384	413	735	1055
		7'2"	353	368	393	428	753	1069
		8'0"	401	417	440	453	802	1142
		8'1" - 10'0"	448	480	505	521	966	1405
F R A M E S	3'4", 3'6" 3'8", 3'10" 4'0"	6'8"	336	372	395	424	688	969
		7'0"	351	380	405	441	750	1068
		7'2"	366	389	414	456	768	1082
		8'0"	414	438	461	481	817	1155
		8'1" - 10'0"	461	501	526	549	981	1418
D O U B L E	4'0", 4'8" 5'0", 5'4" 5'8", 6'0"	6'8"	424	455	500	565	796	1082
		7'0"	442	465	518	583	852	1176
		7'2"	452	475	526	601	868	1186
		8'0"	500	525	574	613	912	1256
		8'1" - 10'0"	568	595	648	693	1084	1528
F R A M E S	6'8", 7'0" 7'4", 7'8" 8'0"	6'8"	437	469	513	577	876	1205
		7'0"	455	479	531	595	932	1299
		7'2"	465	489	539	613	948	1309
		8'0"	513	539	587	625	992	1379
		8'1" - 10'0"	581	609	661	705	1164	1651

16 GAUGE GALVANIZED FRAMES COMPONENTS

	SIZE	4.25-5.75	5.875-6.75	6.875-7.75	7.875-8.75	8.875-9.75	9.875-13.00
HINGE JAMBS	6'8"	\$132	\$141	\$151	\$170	\$278	\$388
	7'0"	141	146	160	179	306	435
	7'2"	146	151	164	188	314	440
	8'0"	170	176	188	194	336	475
	8'1" - 10'0"	204	211	225	234	422	611
STRIKE JAMBS	6'8"	126	139	145	146	259	370
	7'0"	132	142	146	154	293	422
	7'2"	142	146	151	160	303	431
	8'0"	166	170	174	179	330	469
	8'1" - 10'0"	179	198	202	207	408	596
SINGLE HEAD	2'0" - 3'0"	65	71	78	80	136	198
	3'1" - 4'0"	78	92	99	108	151	211
PAIR HEAD	4'0" - 6'0"	160	173	198	225	240	306
	6'1" - 8'0"	173	187	211	237	320	429

In stock depths: 4.75", 5.75", 6.125", 6.25", 6.375", 6.75", 7.125", 7.25", 7.75", 8.25", 8.5", 8.75", 9.0", 9.25", 9.5", 9.75", 10.25", 10.75" & 13.0"



4000 Series Masonry Frames

16 GAUGE GALVANIZED

COMPLETE MASONRY FRAMES UNEQUAL RABBET

- Fire label WHI 3HR Positive Pressure, Smoke label
- Price includes anchors. Please specify type;
ANCHORS: WS = Wood Stud, SS = Steel Stud, MA = Masonry Wire
- Masonry frames are prepared for ASA strike
- Other Jamb depths are available with lead time.
Consult factory

HAND	ITEM #	SIZE	LIST EA.
DEPTH: 4.75" ; GAUGE: 16			
RH	4000	3068	323
LH	4001		
RH	4002	3070	338
LH	4003		
RH	4004	3080	401
LH	4005		
DEPTH: 5.75" ; GAUGE: 16			
RH	4076	2068	323
LH	4077		
RH	4078	2070	338
LH	4079		
RH	4080	2080	401
LH	4081		
RH	4082	2668	323
LH	4083		
RH	4084	2670	338
LH	4085		
RH	4092	2680	401
LH	4093		
RH	4086	2868	323
LH	4087		
RH	4088	2870	338
LH	4089		
RH	4090	2880	401
LH	4091		
RH	4094	21068	323
LH	4095		
RH	4096	21070	338
LH	4097		
RH	4098	21080	401
LH	4099		
RH	4100	3068	323
LH	4101		
RH	4104	3070	338
LH	4105		
RH	4132	3072	353
LH	4133		
RH	4106	3080	401
LH	4107		

HAND	ITEM #	SIZE	LIST EA.
DEPTH: 5.75" ; GAUGE: 16			
RH	4943	3668	336
LH	4944		
RH	4122	3670	351
LH	4123		
RH	4120	3680	414
LH	4121		
RH	4136	3868	336
LH	4137		
RH	4138	3870	351
LH	4139		
RH	4140	3880	414
LH	4141		
RH	4126	4068	336
LH	4127		
RH	4128	4070	351
LH	4129		
RH	4134	4072	366
LH	4135		
RH	4130	4080	414
LH	4131		
DEPTH: 6.125" ; GAUGE: 16			
LH	4150	3070	359
RH	4151		

HAND	ITEM #	SIZE	LIST EA.
DEPTH: 6.25" ; GAUGE: 16			
RH	4400	2068	351
LH	4401		
RH	4403	2070	359
LH	4404		
RH	4490	2080	417
LH	4491		
RH	4406	2468	351
LH	4407		
RH	4409	2470	359
LH	4410		
RH	4488	2480	417
LH	4489		
RH	4412	2668	351
LH	4413		
RH	4415	2670	359
LH	4416		
RH	4486	2680	417
LH	4487		
RH	4418	2868	351
LH	4419		
RH	4421	2870	359
LH	4422		
RH	4484	2880	417
LH	4485		
RH	4424	21068	351
LH	4425		
RH	4427	21070	359
LH	4428		
RH	4482	21080	417
LH	4483		
RH	4430	3068	351
LH	4431		
RH	4433	3070	359
LH	4434		
RH	4480	3080	417
LH	4481		
RH	4436	3668	372
LH	4437		



4000 Series Masonry Frames 16 GAUGE GALVANIZED

HAND	ITEM #	SIZE	LIST EA.
DEPTH: 6.25"; GAUGE: 16			
RH	4439	3670	380
LH	4440		
RH	4478	3680	438
LH	4479		
RH	4442	4068	372
LH	4443		
RH	4445	4070	380
LH	4446		
RH	4476	4080	438
LH	4477		
DEPTH: 6.375"; GAUGE: 16			
RH	4153	3070	359
LH	4152		
DEPTH: 6.75"; GAUGE: 16			
RH	4600	2068	351
LH	4601		
RH	4603	2070	359
LH	4604		
RH	4648	2080	417
LH	4647		
RH	4606	2468	351
LH	4607		
RH	4609	2470	359
LH	4610		
RH	4650	2480	417
LH	4649		
RH	4612	2668	351
LH	4613		
RH	4615	2670	359
LH	4616		
RH	4652	2680	417
LH	4651		
RH	4618	2868	351
LH	4619		
RH	4621	2870	359
LH	4622		
RH	4654	2880	417
LH	4653		
RH	4624	21068	351
LH	4625		
RH	4627	21070	359
LH	4628		
RH	4656	21080	417
LH	4655		
RH	4630	3068	351
LH	4631		

HAND	ITEM #	SIZE	LIST EA.
DEPTH: 6.75"; GAUGE: 16			
RH	4633	3070	359
LH	4634		
RH	4658	3080	417
LH	4657		
RH	4636	3668	372
LH	4637		
RH	4639	3670	380
LH	4640		
RH	4660	3680	438
LH	4659		
RH	4642	4068	372
LH	4643		
RH	4645	4070	380
LH	4646		
RH	4662	4080	438
LH	4661		
DEPTH: 7.125"; GAUGE: 16			
RH	4700	2068	374
LH	4701		
RH	4703	2070	384
LH	4704		
RH	4748	2080	440
LH	4747		
RH	4706	2468	374
LH	4707		
RH	4709	2470	384
LH	4710		
RH	4750	2480	440
LH	4749		
RH	4712	2668	374
LH	4713		
RH	4715	2670	384
LH	4716		
RH	4752	2680	440
LH	4751		
RH	4718	2868	374
LH	4719		
RH	4721	2870	384
LH	4722		
RH	4754	2880	440
LH	4753		
RH	4724	21068	374
LH	4725		
RH	4727	21070	384
LH	4728		

HAND	ITEM #	SIZE	LIST EA.
DEPTH: 7.125"; GAUGE: 16			
RH	4756	21080	440
LH	4755		
RH	4730	3068	374
LH	4731		
RH	4733	3070	384
LH	4734		
RH	4758	3080	440
LH	4757		
RH	4736	3668	395
LH	4737		
RH	4739	3670	405
LH	4740		
RH	4760	3680	461
LH	4759		
RH	4742	4068	395
LH	4743		
RH	4745	4070	405
LH	4746		
RH	4762	4080	461
LH	4761		
DEPTH: 7.25" ; GAUGE: 16			
RH	4201	3068	374
LH	4202		
RH	4203	3070	384
LH	4204		
RH	4205	3080	440
LH	4206		
RH	4207	4068	395
LH	4208		
RH	4209	4070	405
LH	4210		
RH	4211	4080	461
LH	4212		
DEPTH: 7.75"; GAUGE: 16			
RH	4220	3068	374
LH	4221		
RH	4232	3668	395
LH	4233		
RH	4224	3070	384
LH	4225		
RH	4234	3670	405
LH	4235		
RH	4228	3080	440
LH	4229		
RH	4236	3680	461
LH	4237		
RH	4230	4080	461
LH	4231		



4000 Series Masonry Frames

HAND	ITEM #	SIZE	LIST EA.
DEPTH: 8.25"; GAUGE: 16			
RH	4340	3068	396
LH	4341		
RH	4352	3668	424
LH	4353		
RH	4344	3070	413
LH	4345		
RH	4354	3670	441
LH	4355		
RH	4358	4070	441
LH	4359		
RH	4348	3080	453
LH	4349		
RH	4356	3680	481
LH	4357		
RH	4350	4080	481
LH	4351		
DEPTH: 8.50" ; GAUGE: 16			
RH	4155	3070	413
LH	4154		
DEPTH: 8.75" ; GAUGE: 16			
RH	4800	3068	396
LH	4801		
RH	4803	3070	413
LH	4804		
RH	4806	4068	424
LH	4807		
RH	4809	4070	441
LH	4810		
DEPTH: 9.0"; GAUGE: 16			
RH	4157	3070	735
LH	4156		
DEPTH: 9.25"; GAUGE: 16			
RH	4816	3068	673
LH	4817		
RH	4818	3070	735
LH	4819		
RH	4820	3080	802
LH	4821		
RH	4945	3668	688
LH	4946		
RH	4947	3670	750
LH	4948		
RH	4949	3680	817
LH	4950		
RH	4822	4068	688
LH	4823		
RH	4824	4070	750
LH	4825		
RH	4826	4080	817
LH	4827		

16 GAUGE GALVANIZED

HAND	ITEM #	SIZE	LIST EA.
DEPTH: 9.50"; GAUGE: 16			
RH	4162	3068	673
LH	4163		
RH	4158	3070	735
LH	4159		
DEPTH: 9.75"; GAUGE: 16			
RH	4880	3068	673
LH	4881		
RH	4882	3070	735
LH	4883		
RH	4884	3080	802
LH	4885		
RH	4951	3668	688
LH	4952		
RH	4953	3670	750
LH	4954		
RH	4955	3680	817
LH	4956		
RH	4886	4068	688
LH	4887		
RH	4888	4070	750
LH	4889		
RH	4890	4080	817
LH	4891		

HAND	ITEM #	SIZE	LIST EA.
DEPTH: 10.25"; GAUGE: 16			
RH	*4931	3068	956
LH	*4932		
RH	4892	3070	1055
LH	4893		
RH	*4933	3080	1142
LH	*4934		
DEPTH: 10.75"; GAUGE: 16			
RH	*4935	3068	956
LH	*4936		
RH	4894	3070	1055
LH	4895		
RH	*4937	3080	1142
LH	*4938		
DEPTH: 13.00"; GAUGE: 16			
RH	*4939	3068	956
LH	*4940		
RH	4160	3070	1055
LH	4161		
RH	*4941	3080	1142
LH	*4942		

Other jamb depths available. Consult Factory.
 Fire label WHI 3HR listed. Smoke label.
 Masonry frames are prepared for ASA strike.
 Price includes anchors. Specify type;
 ANCHORS: WS - Wood Stud
 SS - Steel Stud
 MA - Masonry Wire Anchor

COMPONENT HEADS, 16G GALV

ITEM #	DESCRIPTION	DEPTH	LENGTH	LIST EACH
57530H4	4" Face head	5.75"	36"	142
57540H4	4" Face head	5.75"	48"	155
57560H4	4" Face head	5.75"	72"	179
*G77530H4	4" Face head	7.75"	36"	192
*G77540H4			48"	255
*G77560H4			72"	381
*G82530H4	4" Face head	8.25"	36"	204
*G82540H4			48"	271
*G82560H4			72"	407

DOUBLE BORE STRIKE JAMB (ASA/DB 7-11/16" CTC), 16G GALV

ITEM #	DESCRIPTION	DEPTH	LENGTH	LIST EACH
*LP68575SJR	RH, LP Double Strike Jamb	5.75"	6'8"	157
*LP68575SJL	LH, LP Double Strike Jamb			
*LP70575SJR	RH, LP Double Strike Jamb	5.75"	7'0"	164
*LP70575SJL	LH, LP Double Strike Jamb			

CASED OPEN MASONRY FRAME COMPONENT, 16G GALV

ITEM #	DESCRIPTION	DEPTH	LENGTH	LIST EACH
CO575H	CASE OPEN HEAD	5.75"	3'0"	59
CO57568	CASE OPEN FRAME LEG		6'8"	118
CO57570	CASE OPEN FRAME LEG		7'0"	118



4500 Series Masonry Double Door Frames

16 GAUGE GALVANIZED

STOCK MASONRY FRAMES FOR PAIR OPENINGS, UNEQUAL RABBET

- Fire label WHI 3HR Positive Pressure, **S** Smoke label
- Price includes anchors. Please specify type;
ANCHORS: WS = Wood Stud, SS = Steel Stud, MA = Masonry Wire

TYPE	ITEM #	SIZE	LIST EACH	DEPTH	TYPE/GAUGE
Pair	4501	4068	424	5.75"	16
	4505	6068	424		
	4511	6070	442		
	4549	6072	452		
	4521	7070	455		
	4525	8070	455		
	4527	8080	513		
Pair	4502	5068	455	6.25"	16
	4503	5070	465		
	4504	5080	525		
	4506	6068	455		
	4507	6070	465		
	4508	6080	525		
	4509	8068	469		
	4510	8070	479		
	4512	8080	539		
Pair	4513	5068	455	6.75"	16
	4514	5070	465		
	4515	5080	525		
	4516	6068	455		
	4517	6070	465		
	4518	6080	525		
	4519	8068	469		
	4520	8070	479		
Pair	4523	5068	500	7.125"	16
	4524	5070	518		
	4526	5080	574		
	4528	6068	500		
	4529	6070	518		
	4531	6080	574		
	4532	8068	513		
	4535	8080	587		

TYPE	ITEM #	SIZE	LIST EACH	DEPTH	TYPE/GAUGE
Pair	4583	6068	\$500	7.25"	16
	4584	6070	518		
	4585	6080	574		
	4586	8068	513		
	4577	8070	531		
	4578	8080	587		
	Pair	4530	4068		
4534		6068	500		
4542		6070	518		
4553		7070	531		
4556		8070	531		
4560		8080	587		
Pair	4563	4068	565	8.25"	16
	4569	6068	565		
	4570	6070	583		
	4573	7070	595		
	4580	8070	595		
	4582	8080	625		
Pair	4536	5068	565	8.75"	16
	4537	5070	583		
	4538	5080	613		
	4539	6068	565		
	4540	6070	583		
	4541	6080	613		
	4543	8068	577		
	4544	8070	595		
	4545	8080	625		
	Pair	4587	6068		
4588		6070	852		
4589		6080	912		
4590		8068	876		
4591		8070	932		
4592		8080	992		
Pair		4596	6068	796	9.75"
	4597	6070	852		
	4598	6080	912		
	4593	8068	876		
	4594	8070	932		
	4595	8080	992		



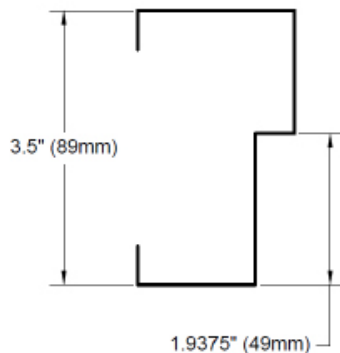
4000 Series Masonry Frames

16 GAUGE GALVANIZED

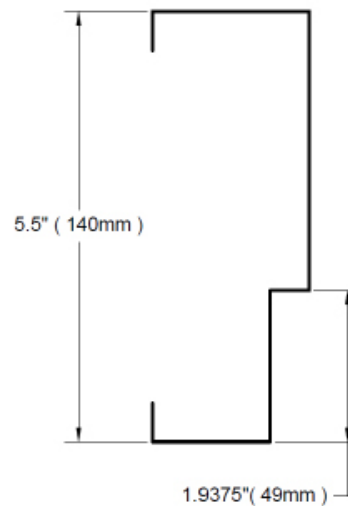
STOCK BLANK SINGLE RABBET MASONRY FRAME

- Fire label WHI Positive Pressure, Smoke label
- Other Jamb depths are available with lead time. Consult factory

FRAME COMPONENTS				
PART	HAND	ITEM #	SIZE	LIST EA.
DEPTH: 3.5"				
JAMB	LH	8035SRL-BLK	8'0"	\$167
	RH	8035SRR-BLK		
SINGLE HEAD	--	40SR35H	4'0"	74
DEPTH: 5.5"				
JAMB	LH	8055SRL-BLK	8'0"	167
	RH	8055SRR-BLK		
SINGLE HEAD	--	*40SR55H	4'0"	74



DRAWING PROFILE FOR
SINGLE RABBET FRAME
DEPTH 3.5"



DRAWING PROFILE FOR
SINGLE RABBET FRAME
DEPTH 5.5"




4000 Series Masonry Frames

16 GAUGE GALVANIZED

STOCK MASONRY FRAMES UNEQUAL RABBET

FOR CURRIES, DEAN STEEL / MESKER / REPUBLIC (NEW) & PIONEER LOCATIONS

- Fire label WHI 3HR Positive Pressure,  Smoke label
- Masonry frames are prepared for ASA strike
- Other jamb depths available. Consult factory

HAND	ITEM #	SIZE	LIST EACH	DEPTH	TYPE/GA.
CURRIES					
RH	CU4100	3068	\$323	5.75"	16
LH	CU4101				
RH	CU4104	3070	338		
LH	CU4105				
DEAN STEEL / MESKER / REPUBLIC (NEW)					
RH	DE/ME4100	3068	323	5.75"	16
LH	DE/ME4101				
RH	DE/ME4104	3070	338		
LH	DE/ME4105				
PIONEER					
RH	PI4100	3068	323	5.75"	16
LH	PI4101				
RH	PI4104	3070	338		
LH	PI4105				

Consult factory for strike prep lead time on Curries and Pioneer locations.



4100 Series Masonry Frames

14 GAUGE GALVANIZED MASONRY UNEQUAL RABBIT COMPLETE FRAMES

- Fire label WHI 3HR Positive Pressure, Smoke label
- Masonry frames are prepared for ASA strike
Other Jamb depths are available with lead time. Consult factory
- Price includes anchors. Please specify type;
ANCHORS: WS = Wood Stud, SS = Steel Stud, MA = Masonry Wire

**REFER TO NEXT PAGE
FOR STOCK ITEMS**

	WIDTH	HEIGHT	4.25-5.75	5.875-6.75	6.875-7.75	7.875-8.75	8.875-9.75	9.875-13.00
SINGLE	2'0", 2'4" 2'6", 2'8" 2'10", 3'0"	6'8"	\$497	\$544	\$578	\$617	\$1043	Consult Factory
		7'0"	526	560	600	640	1143	
		7'2"	550	573	607	663	1163	
		8'0"	622	647	677	705	1240	
		8'1" - 10'0"	696	741	779	801	1496	
FRAMES	3'1", 3'6" 3'8", 3'10" 4'0"	6'8"	515	570	614	661	1064	Consult Factory
		7'0"	544	586	636	684	1164	
		7'2"	568	599	643	707	1184	
		8'0"	640	673	713	749	1261	
		8'1" - 10'0"	714	767	815	845	1517	
DOUBLE	4'0", 4'8" 5'0", 5'4" 5'8", 6'0"	6'8"	654	710	775	873	1237	Consult Factory
		7'0"	690	728	809	901	1327	
		7'2"	708	736	819	923	1341	
		8'0"	776	816	885	953	1415	
		8'1" - 10'0"	886	912	1001	1057	1679	
FRAMES	6'1", 7'0" 7'4", 7'8" 8'0"	6'8"	674	728	792	895	1361	Consult Factory
		7'0"	710	746	826	923	1451	
		7'2"	728	754	836	945	1465	
		8'0"	796	834	902	975	1539	
		8'1" - 10'0"	906	930	1018	1079	1803	

14 GAUGE GALVANIZED FRAMES COMPONENTS

	SIZE	4.25-5.75	5.875-6.75	6.875-7.75	7.875-8.75	8.875-9.75	9.875-13.00
HINGE JAMBS	6'8"	\$202	\$220	\$233	\$263	\$433	Consult Factory
	7'0"	220	229	250	277	478	
	7'2"	229	233	255	288	485	
	8'0"	263	273	288	303	522	
	8'1" - 10'0"	318	321	346	355	654	
STRIKE JAMBS	6'8"	194	213	226	229	402	Consult Factory
	7'0"	205	220	231	238	457	
	7'2"	220	229	233	250	470	
	8'0"	258	263	270	277	510	
	8'1" - 10'0"	277	309	314	321	634	
SINGLE HEAD	2'0" - 3'0"	101	111	119	125	208	Consult Factory
	3'1" - 4'0"	119	137	155	169	229	
PAIR HEAD	4'0" - 6'0"	250	270	309	347	371	Consult Factory
	6'1" - 8'0"	270	288	326	369	495	


In stock depths: 5.75" and 7.75". In stock height 7'0" and 8'0".



4100 Series Masonry Frames

14 GAUGE GALVANIZED

GALVANIZED MASONRY UNEQUAL RABBET COMPLETE FRAMES

- Fire label WHI 3HR Positive Pressure,  Smoke label
- Masonry frames are prepared for ASA strike
Other Jamb depths are available with lead time. Consult factory
- Price includes anchors. Please specify type;
ANCHORS: WS = Wood Stud, SS = Steel Stud, MA = Masonry Wire

HAND	ITEM #	SIZE	LIST EA.
DEPTH: 5.75; SINGLE			
RH	4A101	3070	\$526
LH	4A102		
RH	4A103	3080	622
LH	4A104		
RH	4A105	4070	544
LH	4A106		
RH	4A107	4080	640
LH	4A108		

HAND	ITEM #	SIZE	LIST EA.
DEPTH: 7.75 ; SINGLE			
RH	4A121	3070	\$600
LH	4A122		
RH	4A123	3080	677
LH	4A124		
RH	4A125	4070	636
LH	4A126		
RH	4A127	4080	713
LH	4A128		

DEPTH: 5.75; PAIR			
PAIR	4A141	4070	690
	4A143	4080	776
	4A145	6070	710
	4A147	6080	796

DEPTH: 7.75"; PAIR			
PAIR	4A161	4070	809
	4A163	4080	885
	4A165	6070	809
	4A167	6080	885

**ANYTHING OTHER THAN ABOVE SIZE
KINDLY CONSULT FACTORY
GAUGE: 14Ga GALVANIZED
SINGLE AND PAIRS**

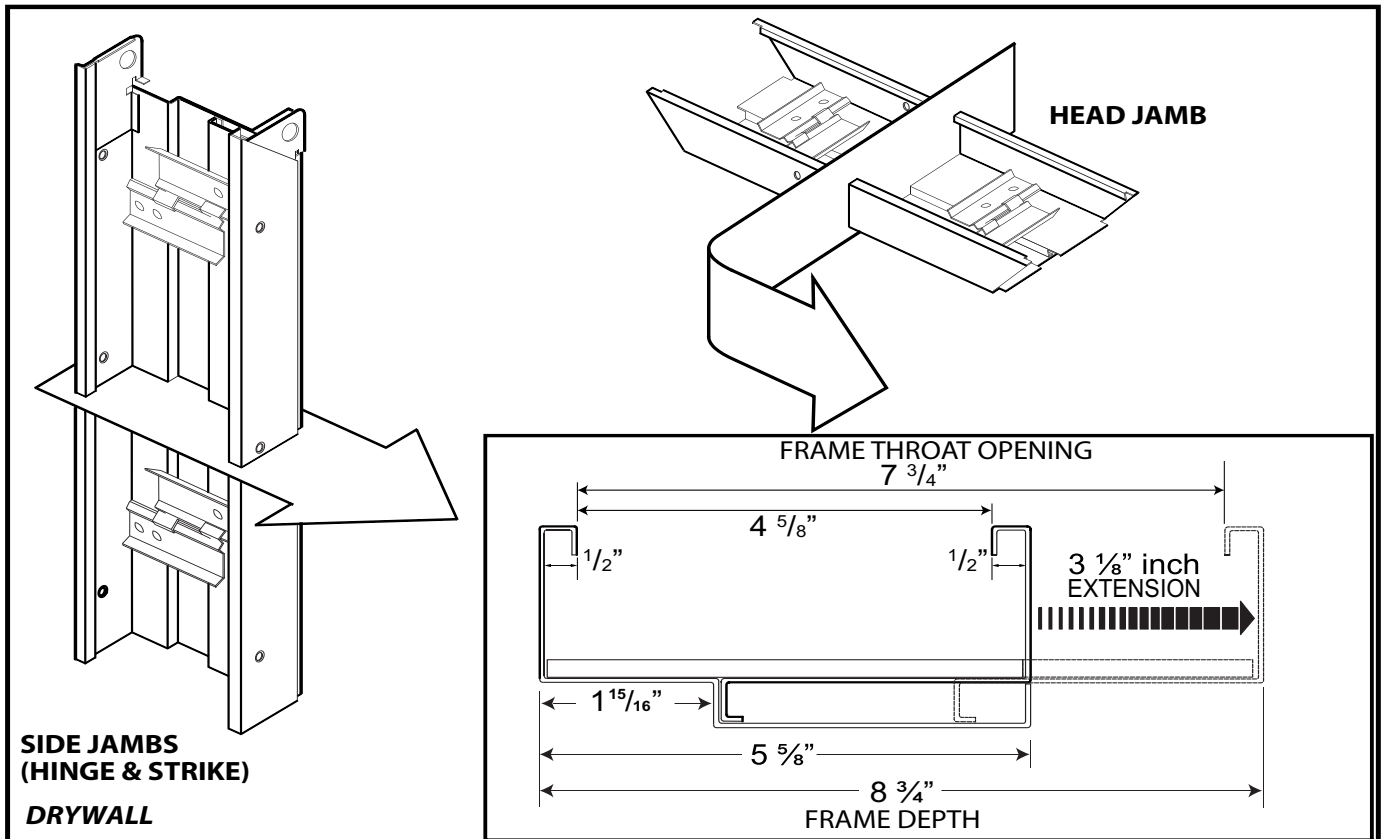
EXP 5000 Expandable Drywall Frames

16 GAUGE GALVANIZED

5.625" to 8.75" DEPTH EXPANDABLE DRYWALL FRAME GALVANIZED

- 90 Minute WHI Mark as Standard
- 12-Gauge ASA Strike Reinforcement
- Four 7-Gauge 4.5" x 4.5" Hinge Reinforcements for 8' Doors
- Three 7-Gauge 4.5" x 4.5" Hinge Reinforcements for 6'8" and 7'0" Doors

REFER TO NEXT PAGE FOR STOCK ITEMS



COMPLETE FRAME SIZES

	WIDTH	HEIGHT	LIST PRICE
S I N G L E	3'0"	6'8"	\$534
		7'0"	550
		8'0"	578
	3'6"	6'8"	549
		7'0"	565
		8'0"	593
4'0"	6'8"	560	
	7'0"	576	
	8'0"	604	
P A I R	6'0"	6'8"	611
		7'0"	627
		8'0"	657

FRAME COMPONENTS

PART	LENGTH	LIST PRICE
HINGE JAMB	6'8"	\$229
	7'0"	237
	8'0"	252
STRIKE JAMB	6'8"	218
	7'0"	226
	8'0"	239
SINGLE HEAD	3'0"	87
	3'6"	102
	4'0"	113
PAIR HEAD	6'0"	153

HOW TO ORDER

Example: 3070 Part # 5625 (5.625" to 8.75") Expandable Drywall Right Hand Frame

TYPE	SIZE	PART
XDW	305625	H
XDW	705625	HJR
XDW	705625	SJR
TYPE	XDW (Expandable Dry Wall)	
SIZE	Width / Height	
PART	H (Head), HJ (Hinge Jamb Right or Left), SJ (Strike Jamb Right or Left), PR (Pair Head)	



EXP 5000 Expandable Drywall Frames

16 GAUGE GALVANIZED

5.625" to 8.75" DEPTH EXPANDABLE DRYWALL FRAME GALVANIZED

- 90 Minute WHI Mark as Standard
- 12-Gauge ASA Strike Reinforcement
- Four 7-Gauge 4.5" x 4.5" Hinge Reinforcements for 8' Doors
- Three 7-Gauge 4.5" x 4.5" Hinge Reinforcements for 6'8" and 7'0" Doors

HAND	ITEM #	SIZE	LIST EA.
DEPTH: 5.625" TO 8.75 ; TYPE / GAUGE: 16 SINGLE			
RH	5781	3068	\$534
LH	5782		
RH	5783	3070	550
LH	5784		
RH	5785	3080	578
LH	5788		
RH	5789	3668	549
LH	5790		
RH	5791	3670	565
LH	5792		
RH	5793	3680	593
LH	5794		
RH	5795	4068	560
LH	5796		
RH	5797	4070	576
LH	5798		
RH	5799	4080	604
LH	5800		
DEPTH: 5.625" TO 8.75 ; TYPE / GAUGE: 16 PAIR			
PAIR	5801	6068	611
	5803	6070	627
	5805	6080	657

FRAME COMPONENTS				
PART	HAND	ITEM #	SIZE	LIST EA.
HINGE JAMB	RH	XDW685625HJR	6'8"	\$229
	LH	XDW685625HJL		
	RH	XDW705625HJR	7'0"	237
	LH	XDW705625HJL		
	RH	XDW805625HJR	8'0"	252
	LH	XDW805625HJL		
STRIKE JAMB	RH	XDW685625SJR	6'8"	218
	LH	XDW685625SJL		
	RH	XDW705625SJR	7'0"	226
	LH	XDW705625SJL		
	RH	XDW805625SJR	8'0"	239
	LH	XDW805625SJL		
SINGLE HEAD		XDW305625H	3'0"	87
		XDW365625H	3'6"	102
		XDW405625H	4'0"	113
PAIR HEAD		XWDP605625H	6'0"	153



5000 Series Drywall Frames

16 GAUGE GALVANIZED

STOCK DRYWALL FRAMES UNEQUAL RABBET

REFER TO NEXT PAGE FOR STOCK ITEMS

- Fire label WHI 90-Minute Positive Pressure, Smoke label

Complete Frames						
	Width	Height	5.625 / 5.875 / 6.25	6.75 / 7.25 / 7.75	8.25	8.75
	SINGLE	2'0" , 2'4"	6'8"	\$307	\$330	\$370
2'6" , 2'8"		7'0"	320	339	388	413
2'10" , 3'0"		8'0"	359	378	428	457
3'6" , 4'0"		6'8"	313	342	383	410
		7'0"	326	351	401	426
		8'0"	365	390	441	470
PAIR	4'0" , 6'0"	6'8"	394	415	457	492
		7'0"	410	431	477	506
		8'0"	460	485	519	552
	8'0"	6'8"	405	426	469	505
		7'0"	421	442	489	519
		8'0"	471	496	531	565

Frame Components				
Hinge Jamb	5.625 / 5.875 / 6.25	6.75 / 7.25 / 7.75	8.25	8.75
6'8"	\$127	\$135	\$153	\$166
7'0"	135	143	163	173
8'0"	160	170	184	196
Strike Jamb				
6'8"	118	127	143	151
7'0"	123	128	151	160
8'0"	137	140	170	181
Single Head				
2'0" – 3'0"	62	68	74	80
3'6" – 4'0"	68	80	87	93
Pair Head				
4'0" – 6'0"	140	145	151	160
8'0"	151	156	159	173

TO ORDER COMPONENTS		
Example 5 7/8" 3070 drywall right hand frame		
STYLE	SIZE	PART
DW	305875	H
DW	705875	HJR
DW	705875	SJR
STYLE = Drywall		
SIZE = Width or Height / Jamb Depth		
PART:		
H (Head)		
HJ (Hinge Jamb Right or Left)		
SJ (Strike Jamb Right or Left)		

Stock Widths	
5.625	3'0" , 4'0" , 6'0" , 8'0"
5.875	2'0" , 2'4" , 2'6" , 2'8" , 2'10" , 3'0" , 3'6" , 4'0" , 6'0" , 8'0"
6.25	3'0" , 4'0" , 6'0" , 8'0"
6.75	3'0" , 4'0" , 6'0"
7.25	3'0" , 6'0"
7.75	3'0" , 4'0" , 6'0" , 8'0"
8.25	3'0" , 4'0" , 6'0" , 8'0"
8.75	3'0" , 4'0" , 6'0" , 8'0"



5000 Series Drywall Frames

16 GAUGE GALVANIZED, SINGLE

STOCK DRYWALL FRAMES UNEQUAL RABBET

HAND	ITEM #	SIZE	LIST EA.
DEPTH: 5.625", SINGLE			
RH	5539	3068	\$307
LH	5540		
RH	5541	3070	320
LH	5542		
RH	5543	3080	359
LH	5544		
RH	5551	4068	313
LH	5552		
RH	5553	4070	326
LH	5554		
RH	5555	4080	365
LH	5556		
DEPTH: 5.875", SINGLE			
RH	5575	2068	307
LH	5576		
RH	5577	2070	320
LH	5578		
RH	5579	2080	359
LH	5580		
RH	5581	2468	307
LH	5582		
RH	5583	2470	320
LH	5584		
RH	5585	2480	359
LH	5586		
RH	5587	2668	307
LH	5588		
RH	5589	2670	320
LH	5590		
RH	5591	2680	359
LH	5592		
RH	5593	2868	307
LH	5594		
RH	5595	2870	320
LH	5596		
RH	5597	2880	359
LH	5598		
RH	5599	21068	307
LH	5600		
RH	5601	21070	320
LH	5602		
RH	5603	21080	359
LH	5604		
RH	5200	3068	307
LH	5201		
RH	5500	3070	320
LH	5501		

HAND	ITEM #	SIZE	LIST EA.
DEPTH: 5.875", SINGLE			
RH	5609	3080	\$359
LH	5610		
RH	5617	3668	313
LH	5618		
RH	5619	3670	326
LH	5620		
RH	5621	3680	365
LH	5622		
RH	5623	4068	313
LH	5624		
RH	5625	4070	326
LH	5626		
RH	5627	4080	365
LH	5628		
DEPTH: 6.25", SINGLE			
RH	5647	3068	307
LH	5648		
RH	5649	3070	320
LH	5650		
RH	5651	3080	359
LH	5652		
RH	5653	4068	313
LH	5654		
RH	5655	4070	326
LH	5656		
RH	5657	4080	365
LH	5658		
DEPTH: 6.75", SINGLE			
RH	5677	3068	330
LH	5678		
RH	5679	3070	339
LH	5680		
RH	5681	3080	378
LH	5682		
RH	5683	4068	342
LH	5684		
RH	5685	4070	351
LH	5686		
RH	5687	4080	390
LH	5688		
DEPTH: 7.25", SINGLE			
RH	5695	3068	330
LH	5696		
RH	5697	3070	339
LH	5698		

HAND	ITEM #	SIZE	LIST EA.
DEPTH: 7.75", SINGLE			
RH	5707	3068	\$330
LH	5708		
RH	5709	3070	339
LH	5710		
RH	5711	3080	378
LH	5712		
RH	5713	4068	342
LH	5714		
RH	5715	4070	351
LH	5716		
RH	5717	4080	390
LH	5718		
DEPTH: 8.25", SINGLE			
RH	5737	3068	370
LH	5738		
RH	5739	3070	388
LH	5740		
RH	5741	3080	428
LH	5742		
RH	5743	4068	383
LH	5744		
RH	5745	4070	401
LH	5746		
RH	5747	4080	441
LH	5748		
DEPTH: 8.75", SINGLE			
RH	5767	3068	397
LH	5768		
RH	5769	3070	413
LH	5770		
RH	5771	3080	457
LH	5772		
RH	5773	4068	410
LH	5512		
RH	5774	4070	426
LH	5514		
RH	5775	4080	470
LH	5516		



5000 Series Drywall Frames

16 GAUGE GALVANIZED, PAIR

STOCK DRYWALL FRAMES UNEQUAL RABBET

HAND	ITEM #	SIZE	LIST EA.
DEPTH: 5.625", PAIR			
PAIR	5557	4068	\$394
	5559	4070	410
	5561	4080	460
	5563	6068	394
	5565	6070	410
	5567	6080	460
	5569	8068	405
	5571	8070	421
	5573	8080	471
DEPTH: 5.875", PAIR			
PAIR	5629	4068	394
	5631	4070	410
	5633	4080	460
	5635	6068	394
	5637	6070	410
	5639	6080	460
	5641	8068	405
	5643	8070	421
	5645	8080	471
DEPTH: 6.25", PAIR			
PAIR	5659	4068	394
	5661	4070	410
	5663	4080	460
	5665	6068	394
	5667	6070	410

HAND	ITEM #	SIZE	LIST EA.
DEPTH: 6.25", PAIR			
PAIR	5669	6080	\$460
	5671	8068	405
	5673	8070	421
	5675	8080	471
DEPTH: 6.75", PAIR			
PAIR	5689	4068	415
	5691	4070	431
	5693	4080	485
	5511	6068	415
	5513	6070	431
	5515	6080	485
DEPTH: 7.25", PAIR			
PAIR	5701	6068	415
	5703	6070	431
	5705	6080	485
DEPTH: 7.75", PAIR			
PAIR	5719	4068	415
	5721	4070	431
	5723	4080	485
	5725	6068	415
	5727	6070	431
	5729	6080	485
	5731	8068	426
	5733	8070	442
	5735	8080	496

HAND	ITEM #	SIZE	LIST EA.
DEPTH: 8.25", PAIR			
PAIR	5749	4068	\$457
	5751	4070	477
	5753	4080	519
	5755	6068	457
	5757	6070	477
	5759	6080	519
	5761	8068	469
	5763	8070	489
	5765	8080	531
DEPTH: 8.75", PAIR			
PAIR	5517	4068	492
	5519	4070	506
	5521	4080	552
	5523	6068	492
	5525	6070	506
	5527	6080	552
	5529	8068	505
	5531	8070	519
	5533	8080	565




5000 Series Drywall Frames

16 GAUGE GALVANIZED

STOCK DRYWALL FRAMES UNEQUAL RABBET

FOR CURRIES, DEAN STEEL / MESKER / REBUPUBLIC (NEW) & PIONEER LOCATIONS

- Fire label WHI 90-Minute Positive Pressure,  Smoke label
- Drywall frames are prepared for ASA strike
- Other jamb depths available. Consult factory

HAND	ITEM #	DEPTH	LIST EACH	SIZE	GAUGE
CURRIES					
RH	CU5100	5.625"	\$307	3068	16
LH	CU5101				
RH	CU5430	5.875"	307	3068	
LH	CU5431				
RH	CU5433	5.875"	320	3070	
LH	CU5434				
DEAN STEEL / MESKER / REPUBLIC (NEW)					
RH	DE/ME5100	5.625"	307	3068	16
LH	DE/ME5101				
RH	DE/ME5430	5.875"	307	3068	
LH	DE/ME5431				
RH	DE/ME5433	5.875"	320	3070	
LH	DE/ME5434				
PIONEER					
RH	PI5100	5.625"	307	3068	16
LH	PI5101				
RH	PI5430	5.875"	307	3068	
LH	PI5431				
RH	PI5433	5.875"	320	3070	
LH	PI5434				

Consult factory for strike prep lead time on Curries and Pioneer locations.



7000 Series Sticks

16 and 14 GAUGE GALVANIZED

STOCK BLANK MASONRY STICK

- Other depths available with lead time. Consult factory

ITEM #	DEPTH	LIST EACH	SIZE	TYPE/GA.
7050	4.750"	\$151	10'	16 Gauge Galvanized
7000	5.750"	151		
7000-4 (4" Face)		217		
CO7000 (Cased Open)		169		
7125	6.125"	156		
7100	6.250"	156		
7137	6.375"	163		
7200	6.750"	163		
7200-4 (4" Face)		234		
7400	7.125"	165		
7400-4 (4" Face)		239		
7700	7.250"	165		
7300	7.750"	168		
CO7300 (Cased Open)		193		
7300-4 (4" Face)		246		
7500	8.250"	177		
CO7500 (Cased Open)		201		
7525	8.50"	188		
7600	8.750"	188		
7600-4 (4" Face)		273		
CO7600 (Cased Open)		206		
7820	9.00"	209		
7800	9.250"	209		
7850	9.50"	279		
7900	9.750"	279		
7910	10.250"	390		
7912	10.750"	403		
7980	13.00"	542		
14G7000575-4 (4" Face)	5.750"	416	10'	14 Gauge Galvanized
14G7000575	5.750"	284		
14G7300775	7.750"	296		



BLANK AND DOUBLE BORE STRIKE JAMBS
16 GAUGE GALVANIZED

BLANK MASONRY / DRYWALL JAMBS

DOUBLE BORE MASONRY STRIKE JAMBS

BLANK MASONRY STRIKE JAMBS				
ITEM #	DEPTH	LIST EACH	SIZE	GAUGE
68575SJR BLK	5.75"	\$110	6'8"	16
68575SJL BLK				
68575SJL BLKPBR		123		
68575SJR BLKPBR				
70575SJR BLK	5.75"	115	7'0"	
70575SJL BLK				
70575SJL-BLKPBR		130		
70575SJR-BLKPBR				
80575SJL BLK			145	
80575SJR BLK				
G68775SJL-BLK	7.75"	147	6'8"	
G68775SJR-BLK		148	7'0"	
G70775SJL-BLK				
G70775SJR-BLK				
G68825SJL-BLK	8.25"	148	6'8"	
G68825SJR-BLK				
G70825SJL-BLK		153	7'0"	
G70825SJR-BLK				
68875SJL-BLK	8.75"	127	6'8"	
68875SJR-BLK				
70875SJL-BLK	8.75"	134	7'0"	
70875SJR-BLK				

DOUBLE BORE MASONRY STRIKE JAMB (ASA/DB 7-11/16" CTC)				
ITEM #	DEPTH	LIST EACH	SIZE	GAUGE
LP68575SJL	5.75"	136	6'8"	16
LP68575SJR				
LP70575SJL	5.75"	142	7'0"	
LP70575SJR				

BLANK DRYWALL STRIKE JAMBS				
ITEM #	DEPTH	LIST EACH	SIZE	GAUGE
DW685875SJL-BLK	5.875"	118	6'8"	16
DW685875SJR-BLK				
DW705875SJL-BLK	5.875"	123	7'0"	
DW705875SJR-BLK				

Symbols:

- LP - Deadbolt Strike
- BLK - Blank
- SJL - Strike Jamb Left
- SJR - Strike Jamb Right
- Prefix "G" = Galvanized
- BLKPBR - Blank Panic Surface Strike Reinforcement



8000 Series Sticks

16 GAUGE GALVANIZED

STOCK BLANK DRYWALL STICK MATERIAL

- Other depths available with lead time. Consult factory.

ITEM #	DEPTH	LIST EACH	SIZE	TYPE/GA.
8100	5.625"	\$165	10'	16 Gauge Cold Rolled
8000	5.875"	165		
8050	6.25"	169		
8200	6.75"	172		
8700	7.25"	175		
8300	7.75"	177		
8500	8.25"	194		
8600	8.75"	210		
8800	9.25"	226		
8900	9.75"	299		

NOTES:



7500-7800 Series Fabrication Components

16 GAUGE GALVANIZED

UNEQUAL RABBET

<i>TYPE</i>	<i>4.75-5.75</i>	<i>6.25-6.75</i>	<i>7.25-7.75</i>	<i>8.25-8.75</i>
Hinge Jamb 6'8" & 7'0" location	\$153	\$165	\$165	\$183
Strike Jamb 6'8" & 7'0", 10'0" location	145	153	160	172
Hinge Mullion 6'8" & 7'0" location	305	337	367	398
Strike Mullion 6'8" & 7'0", 8'0" location	303	332	362	390
Blank Mullion 10'0"	292	312	332	353

In stock depths: 5.625"(PA Warehouse only), 5.75", 6.75", 7.75", 8.25" and 8.75"
 Contact DKS for lead time on non-stock items.

How to order: (Example)

► Stick material

Stick Series	Cutout Location	Depth 5 3/4"	Hinge Jamb Right	or	Strike Jamb Left
75	68	575	HJR		SJL

► Mullion

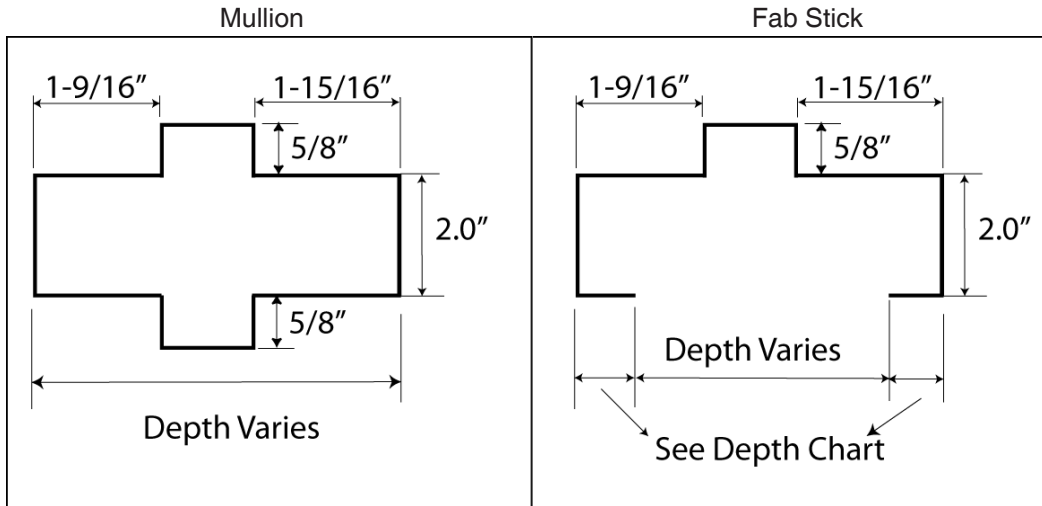
Mullion Series	Cutout Location	Depth 8 3/4"	Mullion Hinge Right	or	Mullion Strike Left
75	68	875	MHR		MSL

► Blank Mullion

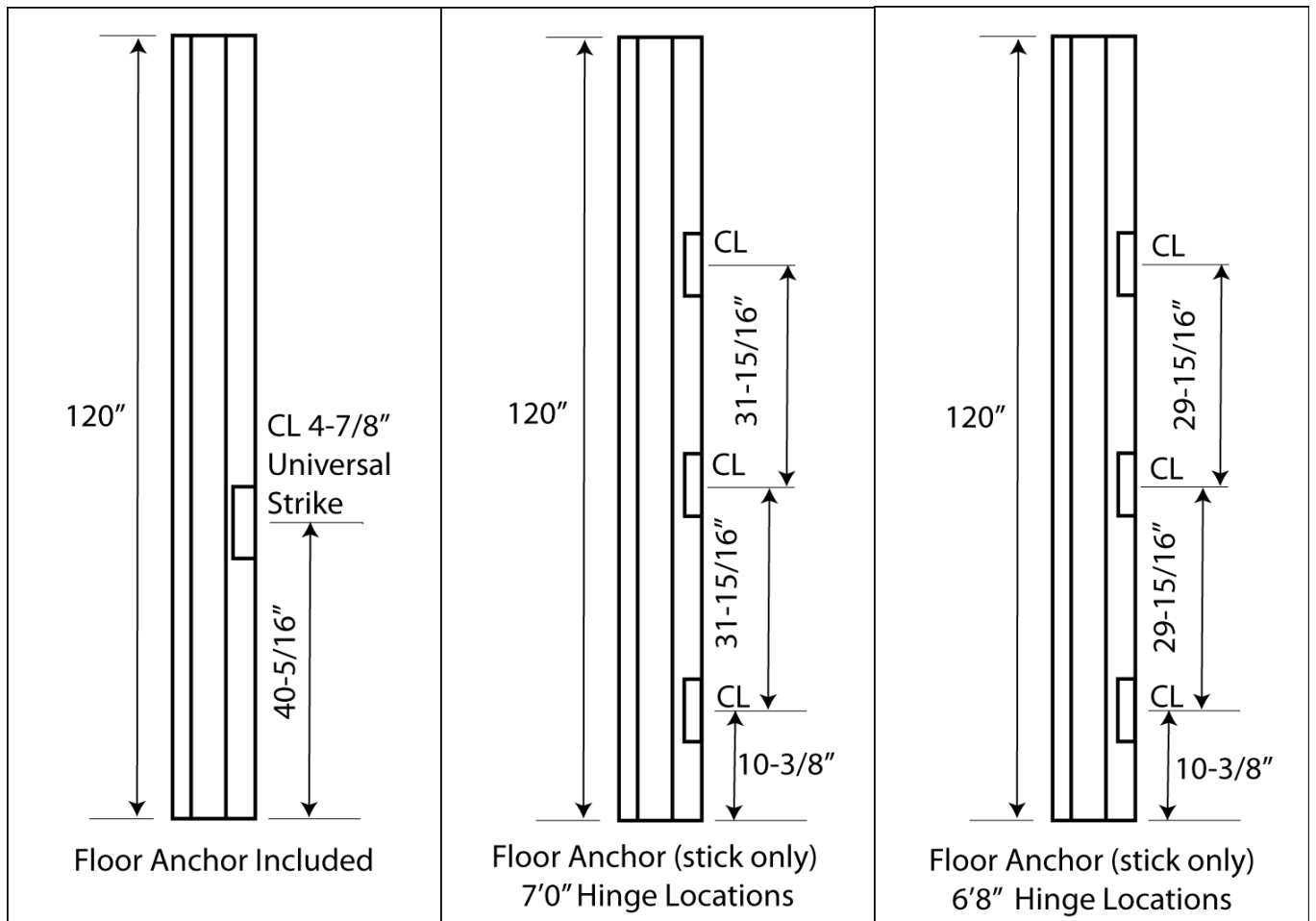
Blank Mullion Series	Depth 7 3/4"	Blank Mullion
75	775	BM



7500 Series Fab Stick and Mullion Profiles



DEPTHS
5.75 - 7/16" returns
6.75 - 1/2" returns
7.75 - 1/2" returns
8.25 - 1/2" returns
8.75 - 1/2" returns



DKS

LITES & LOUVERS

**LIST PRICES
APRIL 2024**

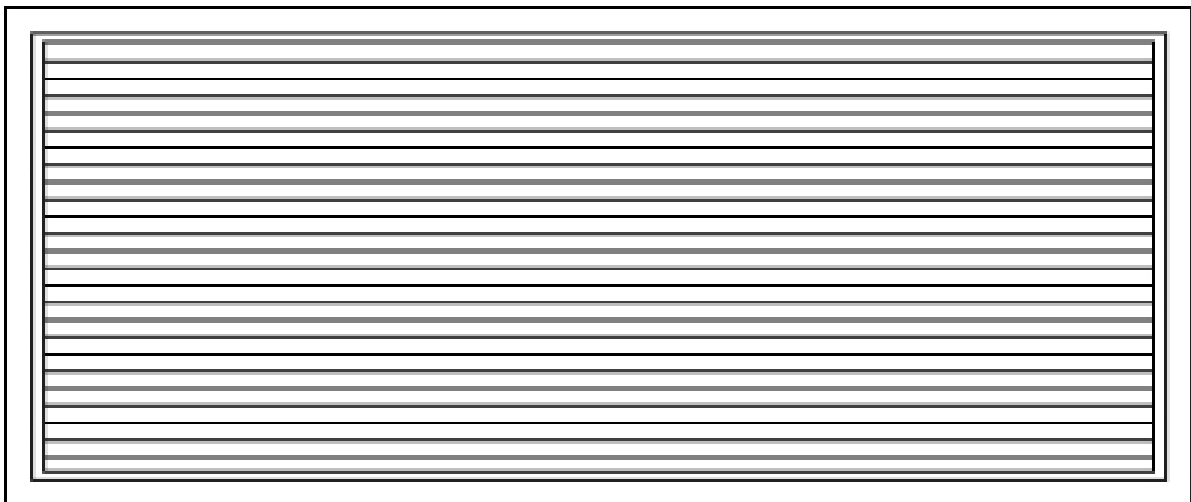




TABLE OF CONTENTS		
CATEGORY	ITEM / DESCRIPTION	PAGE NO.
GLASS	Instock Glass Sizes	LL11
	PYRAN® (PPF), CUSTOM SIZES	LL12
	TEMP20, Custom Sizes	LL13
	WireShield (WS), Custom Sizes	LL14
	Tempered (TEMP), Custom Sizes	LL15
LITES	10VL, Standard Profile for 1" Thick Doors	LL4
	10VL, Vision Lite, Custom Sizes	LL5
	SVL, Vision Lite Low Profile	LL1
	SVL, Vision Lite Low Profile, Custom Sizes	LL3
	VL, Vision Lite Standard Profile	LL2
	VL, Vision Lite Standard Profile, Custom Sizes	LL3
LITES KITS	SVL & VL, Vision Lite Kits, Instock	LL6
	Vision Lite Kits, Custom Sizes with Pyran Glass	LL7
	Vision Lite Kits, Custom Sizes with TEMP20 Glass	LL8
	Vision Lite Kits, Custom Sizes with WireShield Glass	LL9
	Vision Lite Kits, Custom Sizes with Tempered Glass	LL10
LOUVERS	FLLV, Adjustable Fusible Link Louvers	LL18
	VLV, Inverted Y-Blade Louvers	LL17
	YLV, Divided Reverse "Y" Blade Louvers	LL16



WARRANTY

Cal-Royal stands by all our products. They are warranted for 5 years to be free of defects in material and workmanship from the date of shipment. If any product is found defective within the warranty period, Cal-Royal reserves the right to provide replacement or repair. In no case will the Seller be subjected to any other or future liability, and no claims for labor or for consequential damages will be allowed. The seller's responsibility will not exceed the value of the defective material. No statement or recommendation made or assistance given by the seller to the customer in connection with the use of any material by the customer shall constitute a waiver by the seller. No other warranty expressed or implied is valid. Manufacturer's warranty, terms and conditions apply in all cases.

PACKAGING & HANDLING

Item Code	Description
PACKAGING 90- GLASS/LITE KITS	A \$100.00 net will be charged on orders of GLASS ONLY or LITE KITS (Lite Frame, Glass & Glazing Tape Combination), on sizes 23" and above.
PACKAGING 25	A \$35.00 net will be charged on orders with dimensions 23" and below upon CUSTOMERS REQUESTS for wood crating.
PACKAGING 64-LLV	A \$100.00 net will be charged on orders of LITES & LOUVERS 64" and larger.
PACKAGING 16	An additional \$25.00 net charge may apply if shipped via UPS, with wood crating.

RETURNS

No products may be returned without prior approval or RMA (Return Merchandise Authorization). After inspection and approval, credit may be allowed less a minimum 20% handling charge and all related freight charges.

Products not listed in the standard stock sizes, or special orders, are NOT CANCELLABLE and RETURNABLE.

****See color chart on page 17 of the catalog page for CUSTOM COLORS.
Available with factory lead time and standard discount only.**

LITES & LOUVERS COMPARISON CHART					
CAL-ROYAL	AIR LOUVERS	ANEMOSTAT	ADVANTAGE	NATIONAL GUARD	PEMKO
SVL	SLIMLINE	LO PRO	T4G	L-FRA100	LT-B1
VL	VLFEZ	BFL-123	784G	L-FRA100SP	---
10VL	VLF-EZ-IG	BFL-123-IS	XX84G	L-GLF100-SPTB	LT-SI
YLV	700A	FDLS	700AA	---	---
VLV	800A1	AFDL	8CY,4CY	L-700	LV-IY

The data on this chart represents our judgment of which are more similar. Since no product is exactly alike, the information has been obtained from trade sources. It is not guaranteed nor represented that any specific product exactly equals any other product. Construction of these products may be different.

THIS PAGE INTENTIONALLY LEFT BLANK



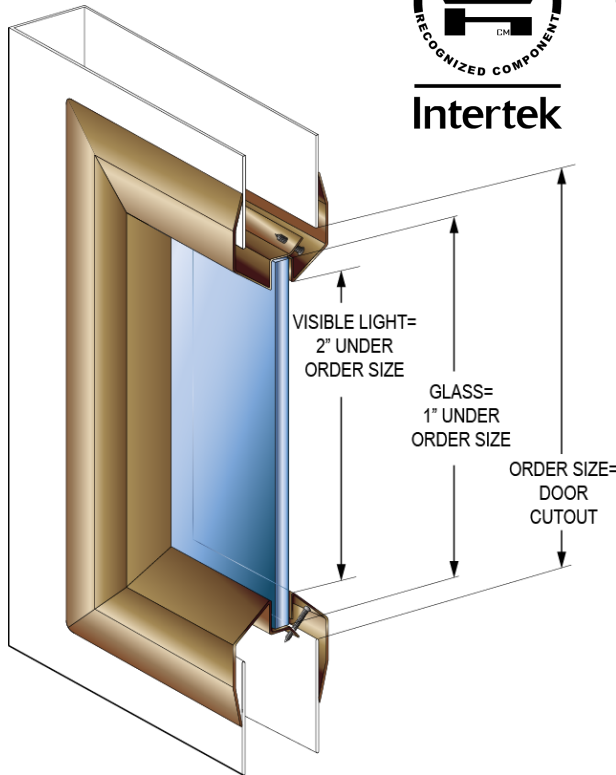
LITES List Prices ...

SVL SERIES, VISION LITE LOW PROFILE

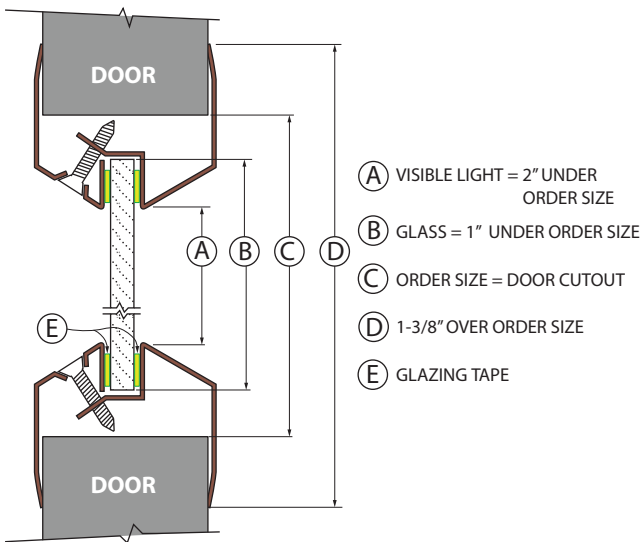
IN STOCK
FOR IMMEDIATE SHIPPING



OTHER COLORS AVAILABLE
WITH FACTORY LEAD TIME
(STANDARD DISCOUNT ONLY)



- ▶ 20-180 Minute Fire-Rated Steel Vision Lites for 3/16" to 1/4" Glass
- ▶ Low Profile Beveled Vision Lite for Fire Rated Doors
- ▶ Frame has Single-Sided Fasteners
- ▶ 20 Gauge Cold Rolled Steel
- ▶ Designed for use with 1 3/4" Doors Only
- ▶ Baked on Powder Coat Finish
- ▶ Standard Color: **Dark Bronze (DB)**
- ▶ Also available in **Grey (PR), White (W), SC Beige (SB), and Flat Black (FBK)** in selected sizes only
- ▶ See color chart on page 17 of the catalog for **CUSTOM COLORS**, available with factory lead time at standard discount only.
- ▶ Fasteners: #8 x 7/8" FPHSMS (part # **SCREW-LLV DB, \$0.32 List Each**)



IN STOCK COLORS	ITEM #	SIZE (DOOR CUTOUT) Width x Height	PCS / MC	LIST PRICE EACH
DB	SVL520	5" x 20"	6	\$98
DB, PR, W, SB, FBK	*SVL535	5" x 35"	6	111
DB	SVL614	6" x 14"	6	83
DB	SVL624	6" x 24"	6	111
DB	SVL626	6" x 26"	6	113
DB, PR, W, SB, FBK	*SVL627	6" x 27"	6	102
DB	SVL630	6" x 30"	6	115
DB	SVL636	6" x 36"	6	106
DB	SVL672	6" x 72"	1	365
DB, PR, W, SB, FBK	*SVL722	7" x 22"	6	78
DB	SVL818	8" x 18"	6	102
DB	SVL830	8" x 30"	6	114
DB, PR, W, SB, FBK	*SVL832	8" x 32"	6	106
DB	SVL836	8" x 36"	6	131
DB	SVL838	8" x 38"	6	137
DB, PR, W, SB, FBK	*SVL1212	12" x 12"	10	62
DB	SVL1818	18" x 18"	2	121
DB	SVL1830	18" x 30"	2	140
DB	SVL1832	18" x 32"	2	142
DB	SVL2236	22" x 36"	2	179
DB, PR	*SVL2424	24" x 24"	4	115
DB, PR, W, SB, FBK	*SVL2430	24" x 30"	4	125
DB, PR, SB, FBK	*SVL2432	24" x 32"	4	133
DB	SVL2434	24" x 34"	2	161
DB	SVL2436	24" x 36"	2	136
DB	SVL2454	24" x 54"	1	323
DB	SVL2456	24" x 56"	1	303
DB, PR, W, SB, FBK	*SVL2460	24" x 60"	1	259
DB, PR	*SVL2464	24" x 64"	1	318
DB	SVL2472	24" x 72"	1	456
DB	SVL2474	24" x 74"	1	468
DB	SVL3036	30" x 36"	2	196

PRICES DO NOT INCLUDE GLASS

*In stock in other colors: Suffix "-PR", "-W", "-SB" or "-FBK" after ITEM#
Example: To order SVL1212 in Grey, use **SVL1212-PR**.

See Lites & Louvers Intertek Certification for information on Fire Ratings.
Or visit: <https://www.cal-royal.com/files/Lites-and-Louvers-Certification.pdf>
See page LL3 for list of custom sizes. See page LL6 for list of LITE KITS (frame, glass & glazing tape combination)

LITES List Prices ...

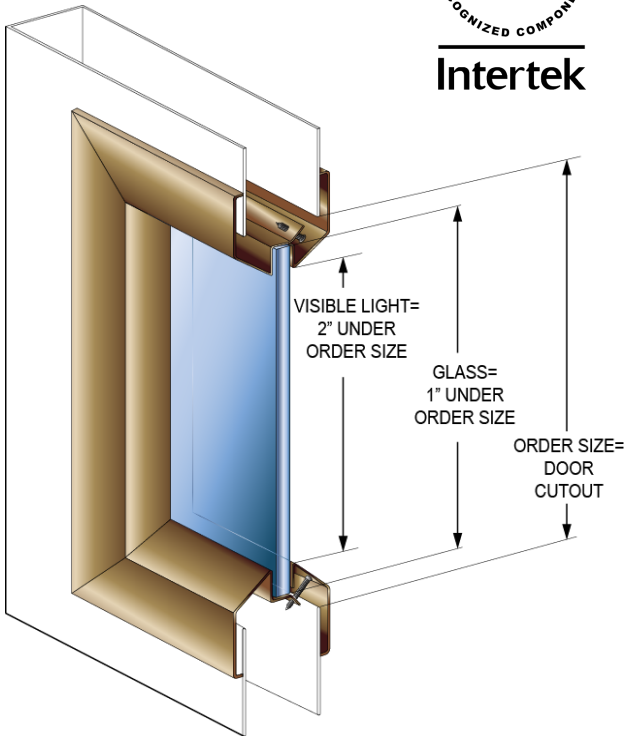
VL SERIES, VISION LITE STANDARD PROFILE

IN STOCK
FOR IMMEDIATE SHIPPING

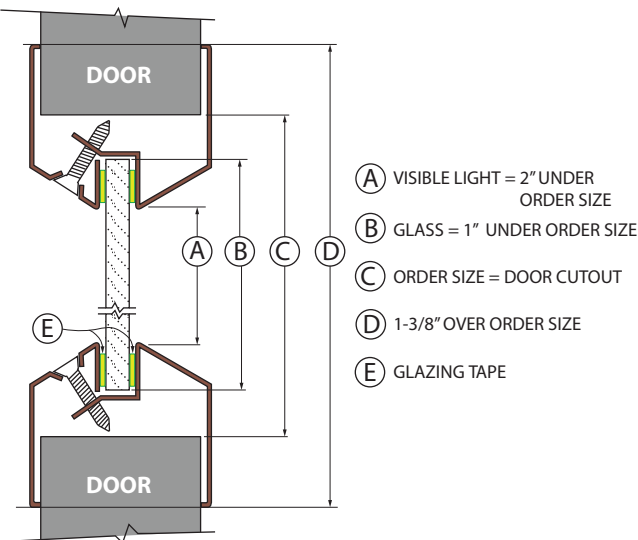


OTHER COLORS AVAILABLE
WITH FACTORY LEAD TIME
(STANDARD DISCOUNT ONLY)

- ▶ 20-180 Minute Fire-Rated Steel Vision Lites for 3/16" to 1/4" Glass
- ▶ Standard Profile Vision Lite for Fire Rated Doors
- ▶ Frame has Single-Sided Fasteners
- ▶ 20 Gauge Cold Rolled Steel
- ▶ Designed for use with 1 3/4" Doors Only
- ▶ Baked on Powder Coat Finish
- ▶ Standard Color: **Dark Bronze (DB)**
- ▶ Also available in **Grey (PR, Prime Coat)** in selected sizes only
- ▶ See color chart on page 17 of the catalog for **CUSTOM COLORS**, available with factory lead time at standard discount only
- ▶ Fasteners: #8 x 7/8" FPHSMS
(part # **SCREW-LLV DB**, \$0.32 List Each)



IN STOCK COLORS	ITEM #	SIZE (DOOR CUTOUT) Width x Height	PCS / MC	LIST PRICE EACH
DB	VL520	5" x 20"	6	\$98
DB	VL535	5" x 35"	6	111
DB	VL624	6" x 24"	6	111
DB	VL626	6" x 26"	6	113
DB, PR	*VL627	6" x 27"	6	102
DB	VL630	6" x 30"	6	115
DB	VL636	6" x 36"	6	106
DB	VL672	6" x 72"	1	365
DB, PR	*VL722	7" x 22"	6	78
DB	VL818	8" x 18"	6	102
DB	VL830	8" x 30"	6	114
DB, PR	*VL832	8" x 32"	6	106
DB	VL836	8" x 36"	6	131
DB	VL1010	10" x 10"	10	74
DB, PR	*VL1212	12" x 12"	10	62
DB	VL1414	14" x 14"	10	113
DB, PR	*VL1818	18" x 18"	2	121
DB	VL1830	18" x 30"	2	140
DB	VL2020	20" x 20"	4	143
DB	VL2026	20" x 26"	2	162
DB	VL2030	20" x 30"	2	150
DB	VL2032	20" x 32"	2	173
DB, PR	*VL2424	24" x 24"	4	115
DB, PR	*VL2430	24" x 30"	4	125
DB, PR	*VL2432	24" x 32"	4	133
DB	VL2434	24" x 34"	2	161
DB	VL2436	24" x 36"	2	136
DB	VL2438	24" x 38"	2	212
DB, PR	*VL2460	24" x 60"	1	259
DB, PR	*VL2464	24" x 64"	1	318
DB	VL2472	24" x 72"	1	456
DB	VL2474	24" x 74"	1	468



See Lites & Louvers Intertek Certification for information on Fire Ratings.
Or visit: <https://www.cal-royal.com/files/Lites-and-Louvers-Certification.pdf>
See page LL3 for list of custom sizes. See page LL6 for list of LITE KITS (frame, glass & glazing tape combination)

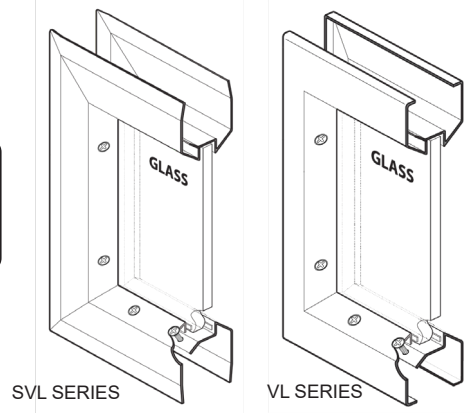
PRICES DO NOT INCLUDE GLASS
*Available in Grey (Prime Coat) finish. Suffix "-PR" after ITEM#
Example: To order VL1212 in Grey, use **VL1212-PR**.



STANDARD & CUSTOM SIZES LITES
SVL & VL SERIES

- ◆ Low and Standard Profile Vision Lites for Fire Rated Doors
- ◆ 20 Gauge Cold Rolled Steel
- ◆ For 3/16" to 1/4" Thick Glass
- ◆ Designed for use with 1 3/4" doors only
- ◆ Frame has Single-Sided Fasteners
- ◆ Fasteners: # 8 x 7/8" Flat Head Phillips SMS
- ◆ Baked on Powder Coat finish
- ◆ Standard Color: **Dark Bronze (DB)**
- ◆ Also available in **Grey (PR), White (W), SC Beige (SB), & Flat Black (FBK)** in selected sizes only. Refer to pages LL1-LL2 for complete list.
- ◆ See color chart on page 17 of the catalog for **CUSTOM COLORS, available with factory lead time at standard discount only.**
- ◆ 20-180 Minute Fire-Rated Steel Vision Lites. Refer to chart below for sizes with Fire Ratings

OTHER COLORS AND CUSTOM SIZES AVAILABLE WITH FACTORY LEAD TIME (STANDARD DISCOUNT ONLY)



		WIDTH OF OPENING (CUT OUT SIZE)																		
		5"	6"	7"	8"	10"	12"	14"	16"	18"	20"	22"	24"	26"	28"	30"	32"	34"	36"	
HEIGHT OF OPENING (CUT OUT SIZE)	4"	84	84	84	84	84	84	84	97	100	109	112	116	128	131	133	144	149	152	
	6"	84	84	84	84	84	84	97	100	109	112	116	128	131	133	142	144	149	152	155
	8"	84	84	84	84	84	84	100	109	112	116	128	131	133	142	144	149	152	155	162
	10"	84	84	84	84	74	84	109	112	116	128	131	133	142	144	149	152	155	162	165
	12"	84	84	84	84	84	62	112	116	128	131	133	142	144	149	152	155	162	165	170
	14"	88	83	100	100	109	112	113	128	131	133	142	144	149	152	155	162	165	170	178
	16"	100	100	109	109	112	116	128	131	133	142	144	149	152	155	162	165	170	178	184
	18"	109	109	109	102	116	128	131	133	121	144	149	152	155	162	165	170	178	184	190
	20"	98	112	116	116	128	131	133	142	144	143	152	155	162	165	170	178	178	184	190
	22"	116	116	78	104	131	133	142	144	149	152	155	162	165	170	178	191	184	186	190
	24"	128	111	131	131	133	142	144	149	152	155	162	115	170	178	180	184	186	190	194
	26"	122	113	128	128	142	144	149	152	155	162	165	155	178	180	184	186	190	194	202
	27"	113	102	142	142	144	149	152	155	162	165	170	178	180	184	186	190	194	202	202
	28"	113	113	142	142	144	149	152	155	162	165	170	178	180	184	186	190	194	202	202
	30"	126	115	123	114	149	152	155	162	140	150	178	125	184	186	190	194	202	207	210
	32"	144	144	123	106	152	155	162	165	142	173	180	133	186	190	194	202	207	210	210
	34"	149	149	145	145	155	162	165	170	178	180	184	161	190	194	202	207	210	213	213
	35"	111	123	149	149	162	165	170	178	180	184	186	158	194	202	207	210	213	213	215
	36"	123	106	149	131	162	165	170	178	180	184	179	136	194	202	196	210	213	215	215
	38"	162	162	146	137	170	186	199	199	204	209	210	212	213	225	231	232	291	299	299
40"	168	168	170	170	186	199	199	204	209	210	212	213	225	231	232	291	299	303	303	
42"	170	170	207	207	210	215	223	232	241	242	260	267	268	276	291	299	303	347	358	
44"	207	207	210	210	215	223	232	241	242	260	267	268	276	291	299	303	347	358	370	
46"	210	210	215	215	223	232	241	242	260	267	268	276	291	299	303	347	358	370	373	
48"	215	215	223	223	232	241	242	267	267	268	276	291	299	303	347	358	370	373	386	
50"	223	223	231	232	241	242	260	277	268	276	291	299	303	347	358	370	373	386	394	
52"	241	241	242	242	245	268	276	277	291	294	305	310	347	358	370	373	386	394	402	
54"	242	242	245	245	268	276	277	291	294	305	310	323	358	370	373	386	394	402	418	
56"	245	245	268	268	276	277	291	294	305	310	347	303	352	373	386	394	402	418	426	
58"	268	268	276	276	277	291	294	305	310	347	358	370	373	386	394	402	418	426	435	
60"	276	276	277	277	291	294	305	310	347	358	370	259	386	394	402	418	426	435	451	
62"	277	277	291	291	294	305	310	347	358	370	373	357	394	402	418	426	435	451	460	
64"	291	291	294	294	305	310	347	358	370	373	386	318	402	418	426	435	451	460	483	
66"	294	294	305	305	310	347	358	370	373	386	394	328	418	426	435	451	460	483	493	
68"	305	305	310	310	347	358	370	373	386	394	402	418	426	435	451	460	483	493	503	
70"	310	310	347	347	358	370	373	386	394	402	418	426	435	451	460	483	493	503	516	
72"	347	365	358	358	370	373	386	394	402	418	426	456	451	460	483	383	487	503	516	
74"	358	358	368	370	381	386	396	406	415	429	438	468	463	474	496	393	503	516	516	

- All non-stock items are made in the USA with fast lead times.
- All other sizes are available with minimum order requirement and lead time.
- Order size is **Width x Height**. Unlisted sizes, use next larger size.
- For sizes more than the maximum width and height (36" x 72"), call or email customer service.
- Prices do not include Glass and Glazing Tape.
- Visible light is 2" under the order cut out size.
- Galvanneal Sheet for Exterior Applications; Prefix "G"; List x 1.2

50 BOLD (with *REVERSED ITALICS*) - In Stock (Quick Ship) Sizes, available for immediate shipping.
Prices not within black boxes are custom made.

50 *Italicized numbers* - Sizes with 20-180 min. Fire Rating may vary.

50 Shaded Areas, Non-Italicized Numbers are Non-Fire Rated.

ORDER FORMAT: (Series type - SVL or VL) (cut out width) (cut out height); Example: SVL1832

◆◆◆ **NO RETURNS ACCEPTED ON CUSTOM SIZE ORDERS** ◆◆◆

LITES List Prices ...

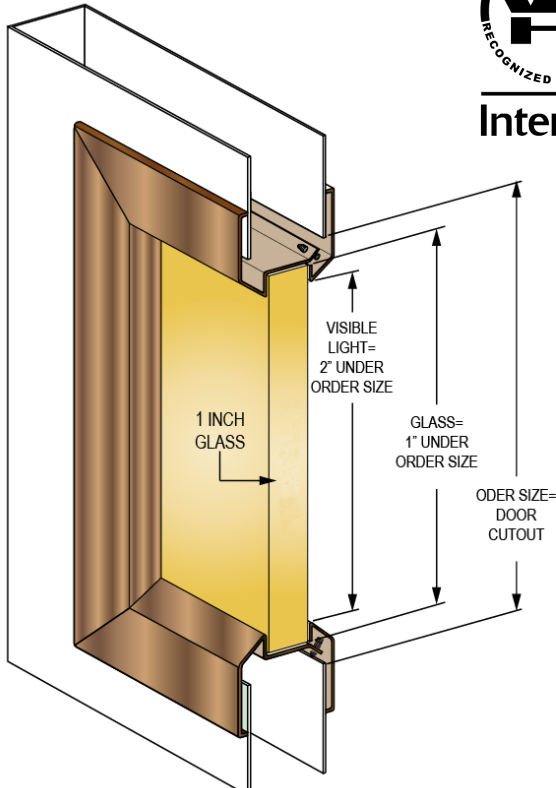
10VL SERIES, VISION LITE STANDARD PROFILE FOR 1" THICK GLASS

IN STOCK
FOR IMMEDIATE SHIPPING

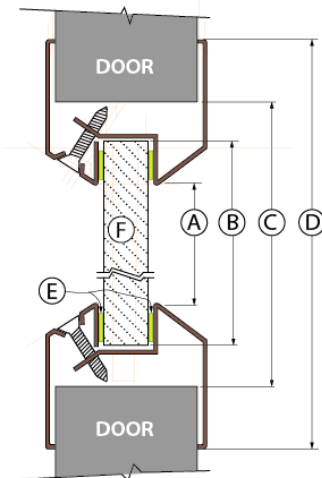
OTHER COLORS AVAILABLE
WITH FACTORY LEAD TIME
(STANDARD DISCOUNT ONLY)



Intertek



- ▶ 20-180 Minute Fire-Rated Steel Vision Lites for 1" Glass
- ▶ Standard Profile Vision Lite for Fire Rated Doors
- ▶ Frame has Single-Sided Fasteners
- ▶ 20 Gauge Cold Rolled Steel
- ▶ Designed for use with 1 3/4" Doors Only
- ▶ Baked on Powder Coat Finish
- ▶ Color: **Dark Bronze (DB)**.
- ▶ See color chart on page 17 of the catalog for **CUSTOM COLORS**, available with factory lead time at standard discount only.
- ▶ Fasteners: # 8 x 7/8" FPHSMS (part # **SCREW-LLV DB**, \$0.32 List Each)



- (A) VISIBLE LIGHT = 2" UNDER ORDER SIZE
- (B) GLASS = 1" UNDER ORDER SIZE
- (C) ORDER SIZE = DOOR CUTOUT
- (D) 1-3/8" OVER ORDER SIZE
- (E) GLAZING TAPE
- (F) GLASS 1" THICK

10VL, Beveled Vision Lite for 1" Thick Glass

ITEM #	SIZE (DOOR CUTOUT) Width x Height	PCS / MC	LIST PRICE EACH
10VL627	6" x 27"	6	\$152
10VL722	7" x 22"	6	134
10VL832	8" x 32"	6	158
10VL1212	12" x 12"	10	92
10VL2424	24" x 24"	4	172
10VL2430	24" x 30"	4	188
10VL2432	24" x 32"	4	200
10VL2436	24" x 36"	2	205
10VL2456	24" x 56"	1	499
10VL2460	24" x 60"	1	388
10VL2464	24" x 64"	1	477

PRICES DO NOT INCLUDE GLASS

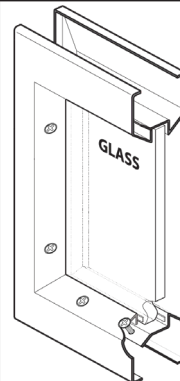
See Lites & Louvers Intertek Certification for detailed information on Fire Ratings.
Or visit: <https://www.cal-royal.com/files/Lites-and-Louvers-Certification.pdf>

See page LL5 for list of custom sizes.



STANDARD & CUSTOM SIZES LITES
10VL SERIES

**OTHER COLORS AND
CUSTOM SIZES AVAILABLE
WITH FACTORY LEAD TIME
(STANDARD DISCOUNT ONLY)**



- ◆ Standard Profile Vision Lites for Fire Rated Doors
- ◆ 20 Gauge Cold Rolled Steel
- ◆ For 1" Thick Glass
- ◆ Frame has Single-Sided fasteners
- ◆ Fasteners: # 8 x 7/8" Flat Head Phillips SMS
- ◆ Designed for use with 1 3/4" doors only
- ◆ Baked on Powder Coat finish

- ◆ Color: **Dark Bronze (DB)**
- ◆ See color chart on page 17 of the catalog for **CUSTOM COLORS**, available with factory lead time at standard discount only.
- ◆ 20-180 Minute Fire-Rated Steel Vision Lites
- Refer to chart below for sizes with Fire Ratings

		WIDTH OF OPENING (CUT OUT SIZE)																	
		5"	6"	7"	8"	10"	12"	14"	16"	18"	20"	22"	24"	26"	28"	30"	32"	34"	36"
HEIGHT OF OPENING (CUT OUT SIZE)	4"	113	113	113	113	113	113	113	127	133	142	148	154	165	172	178	189	196	204
	6"	113	113	113	113	113	113	127	133	142	148	154	165	172	178	187	189	196	204
	8"	113	113	113	113	113	113	133	142	148	154	165	172	178	187	189	196	204	205
	10"	113	113	113	113	109	113	142	148	154	165	172	178	187	189	196	204	205	214
	12"	113	113	113	113	113	92	148	154	165	172	178	187	189	196	204	205	214	219
	14"	127	127	133	133	142	148	154	165	172	178	187	189	196	204	205	214	219	225
	16"	133	133	142	142	148	154	165	172	178	187	189	196	204	205	214	219	225	236
	18"	142	142	142	142	154	165	172	178	183	189	196	204	205	214	219	225	236	238
	20"	148	148	154	154	165	172	178	187	189	196	204	205	214	219	225	236	238	243
	22"	154	154	134	154	172	178	187	189	196	204	205	214	219	225	236	238	243	246
	24"	165	165	172	172	178	187	189	196	204	205	214	172	225	236	238	243	246	250
	26"	172	172	178	178	187	189	196	204	205	214	219	225	236	238	243	246	250	256
	27"	172	152	187	187	189	196	204	205	214	219	225	236	238	243	246	250	256	268
	28"	172	172	187	187	189	196	204	205	214	219	225	236	238	243	246	250	256	268
	30"	187	187	184	184	196	204	205	214	219	225	236	188	243	246	250	256	268	270
	32"	189	189	187	158	204	205	214	219	216	236	238	200	246	250	256	268	270	276
	34"	196	196	204	204	205	214	219	225	236	238	243	246	250	256	268	270	276	284
	35"	192	192	196	196	214	219	225	236	238	243	246	242	256	268	270	276	284	287
	36"	192	192	196	196	214	219	225	236	238	243	246	205	256	268	270	276	284	287
	38"	214	214	224	224	225	270	276	287	296	306	317	319	344	352	355	366	384	396
	40"	224	224	225	225	270	276	287	296	306	317	319	344	352	355	366	384	396	399
42"	225	225	270	270	276	287	296	296	306	317	319	344	352	355	366	384	396	460	
44"	270	270	276	276	287	296	306	317	319	344	352	355	366	384	396	399	460	474	
46"	276	276	287	287	296	306	317	319	344	352	355	366	384	396	399	460	474	489	
48"	287	287	296	296	306	317	319	352	352	355	366	384	396	399	460	474	489	495	
50"	296	296	305	306	317	319	344	369	355	366	384	396	399	460	474	489	495	508	
52"	317	317	319	319	325	355	366	369	384	390	403	410	460	474	489	495	508	522	
54"	319	319	325	325	355	366	369	384	390	403	410	444	474	489	495	508	522	534	
56"	325	325	355	355	366	369	384	390	403	410	460	499	489	495	508	522	534	549	
58"	355	355	366	366	369	384	390	403	410	460	474	489	495	508	522	534	549	564	
60"	366	366	369	369	384	390	403	410	460	474	489	388	508	522	534	549	564	576	
62"	369	369	384	384	390	403	410	460	474	489	495	508	522	534	549	564	576	596	
64"	384	384	390	390	403	410	460	474	489	495	508	477	534	549	564	576	596	611	
66"	390	390	403	403	410	460	474	489	495	508	522	508	549	564	576	596	611	637	
68"	403	403	410	410	460	474	489	495	508	522	534	549	564	576	596	611	637	655	
70"	410	410	460	460	474	489	495	508	522	534	549	564	576	596	611	637	655	675	
72"	460	460	474	474	489	495	508	522	534	549	564	576	596	611	637	655	675	691	
74"	475	475	486	486	504	509	522	538	548	566	580	594	614	627	655	675	694	710	

- All non-stock items are made in the USA with fast lead times.
- All other sizes are available with minimum order requirement and lead time.
- Order size is **Width x Height**. Unlisted sizes, use next larger size.
- For sizes more than the maximum width and height (36" x 72"), call or email customer service.
- Prices do not include Glass and Glazing Tape.
- Visible light is 2" under the order cut out size.

- 50** Bold (with **REVERSED ITALICS**) - In Stock Sizes, available for immediate shipping. Prices not within black boxes are custom made.
- 50** *Italicized Numbers* - Sizes with 20-180 min. Fire Rating may vary.
- 50** Shaded Areas, Non-Italicized Numbers are Non-Fire Rated.

Galvanneal Sheet for Exterior Applications; Prefix "G"; List x 1.2

◆◆◆ **NO RETURNS ACCEPTED ON CUSTOM SIZE ORDERS** ◆◆◆

ORDER FORMAT: 10VL x (cut out width) x (cut out height); Example: 10VL1832



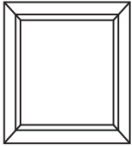
LITE KITS List Prices ..

IN STOCK
FOR IMMEDIATE SHIPPING

OTHER FRAME COLORS
AVAILABLE WITH
FACTORY LEAD TIME
(STANDARD DISCOUNT ONLY)



Intertek



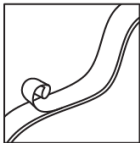
FRAME

+



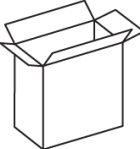
GLASS

+



GLAZING TAPE

=



1 KIT

See page LL7 - LL10 for list of custom sizes, page I for packaging & handling.

Glazing Tape: Standard 1/16" x 3/8" applied to both sides of glass.

Frame Finish: Standard Color: Dark Bronze

*Available in other colors (in selected sizes only), see page LL1 & LL2 for list of in stock sizes

Other finishes, see color chart on the Lites & Louvers catalog page 17.

In stock SVL KITS, VISION LITE LOW PROFILE

ITEM NO	SIZE (DOOR CUTOUT) Width x Height	GLASS SIZES	LIST PRICE PER KIT (Must Specify Glass Type)			
			Pyran® Platinum F (PPF) (3/16")	(TEMP20) (1/4")	PROTECT3 Wired Glass (WS) (1/4")	Tempered (TEMP) (1/4")
*SVL535 + (glass type)	5" x 35"	4" x 34"	\$390	\$205	\$284	\$210
SVL626 + (glass type)	6" x 26"	5" x 25"	387	---	---	---
*SVL627 + (glass type)	6" x 27"	5" x 26"	339	309	264	204
SVL672 + (glass type)	6" x 72"	5" x 71"	963	---	---	---
*SVL722 + (glass type)	7" x 22"	6" x 21"	338	164	256	171
SVL818 + (glass type)	8" x 18"	7" x 17"	---	---	271	---
SVL824 + (glass type)	8" x 24"	7" x 23"	---	---	---	192
SVL830 + (glass type)	8" x 30"	7" x 29"	---	---	283	---
*SVL832 + (glass type)	8" x 32"	7" x 31	---	---	351	203
SVL836 + (glass type)	8" x 36"	7" x 35	---	---	404	217
*SVL1212 + (glass type)	12" x 12"	11" x 11"	303	148	216	147
*SVL2424 + (glass type)	24" x 24"	23" x 23"	---	---	652	259
*SVL2430 + (glass type)	24" x 30"	23" x 29"	1342	639	806	303
*SVL2432 + (glass type)	24" x 32"	23" x 31"	---	---	868	315
SVL2436 + (glass type)	24" x 36"	23" x 35"	---	---	940	332
*SVL2464 + (glass type)	24" x 64"	23" x 63"	2758	---	1845	642

Shaded Items are Non-Fire Rated. *FRAME Available in other Colors, see page LL1

See Lites & Louvers Intertek Certification for detailed information on Fire Ratings. Or visit: <https://www.cal-royal.com/files/Lites-and-Louvers-Certification.pdf>

How to order: **SVL** ___ (W) ___ (H) ___ WS / TEMP / PPF (glass type) **KIT**. Example: **SVL1212TEMPKIT**

*Suffix "-PR", "-W", "-SB", or "-FBK" after item number when ordering. Example: To order SVL1212TEMPKIT in GREY finish, use **SVL1212TEMPKIT-PR**

In stock VL KITS, VISION LITE STANDARD PROFILE

ITEM NO	SIZE (DOOR CUTOUT) Width x Height	GLASS SIZES	LIST PRICE PER KIT (Must Specify Glass Type)			
			Pyran® Platinum F (PPF) (3/16")	(TEMP20) (1/4")	PROTECT3 Wired Glass (WS) (1/4")	Tempered (TEMP) (1/4")
VL535 + (glass type)	5" x 35"	4" x 34"	\$390	\$205	\$284	\$210
VL626 + (glass type)	6" x 26"	5" x 25"	387	---	---	---
*VL627 + (glass type)	6" x 27"	5" x 26"	339	309	264	204
VL672 + (glass type)	6" x 72"	5" x 71"	963	---	---	---
*VL722 + (glass type)	7" x 22"	6" x 21"	338	164	256	171
VL818 + (glass type)	8" x 18"	7" x 17"	---	---	271	---
VL824 + (glass type)	8" x 24"	7" x 23"	---	---	---	192
VL830 + (glass type)	8" x 30"	7" x 29"	---	---	283	---
*VL832 + (glass type)	8" x 32"	7" x 31	---	---	351	203
VL836 + (glass type)	8" x 36"	7" x 35	---	---	404	217
*VL1212 + (glass type)	12" x 12"	11" x 11"	303	148	216	147
*VL2424 + (glass type)	24" x 24"	23" x 23"	---	---	652	259
*VL2430 + (glass type)	24" x 30"	23" x 29"	1342	639	806	303
*VL2432 + (glass type)	24" x 32"	23" x 31"	---	---	868	315
VL2436 + (glass type)	24" x 36"	23" x 35"	---	---	940	332
*VL2464 + (glass type)	24" x 64"	23" x 63"	2758	---	1845	642

Shaded Items are Non-Fire Rated. *FRAME Available in GREY (PR, Prime Coat finish)

See Lites & Louvers Intertek Certification for detailed information on Fire Ratings. Or visit: <https://www.cal-royal.com/files/Lites-and-Louvers-Certification.pdf>

How to order: **VL** ___ (W) ___ (H) ___ WS / TEMP / PPF (glass type) **KIT**. Example: **VL1212TEMPKIT**

*Suffix "-PR" after item number when ordering. Example: To order VL1212TEMPKIT in GREY finish, use **VL1212TEMPKIT-PR**



**VL & SVL SERIES
STANDARD & CUSTOM SIZES PPF KIT**

Vision Lite, PYRAN® Platinum F Glass and Glazing Tape Combination

- ◆ Kit includes: Frame + Glass + Glazing Tape
- ◆ 20-180 Minute Fire-Rated Steel Vision Lites for 3/16" to 1/4" Glass
- ◆ Impact Safety Rating: CPSC 16 CFR 1201 Cat. 1 & 11
- ◆ Glass Fire Rating: 20 minutes to 180 minutes

- ◆ Glass is UL labeled standard
- ◆ Light Transmission: 80% approx.
- ◆ Designed for use with 1 3/4" doors only
- ◆ Custom size glass available with lead time & standard discount

**OTHER FRAME COLORS
AND CUSTOM SIZES
AVAILABLE WITH
FACTORY LEAD TIME
(STANDARD DISCOUNT ONLY)**

		WIDTH OF OPENING (CUT OUT SIZE)																	
		5"	6"	7"	8"	10"	12"	14"	16"	18"	20"	22"	24"	26"	28"	30"	32"	34"	36"
HEIGHT OF OPENING (CUT OUT SIZE)	4"	346	346	346	346	346	358	358	369	371	371	378	390	420	431	435	443	446	449
	6"	346	346	346	346	346	358	358	369	371	371	378	390	420	435	451	473	501	524
	8"	346	346	346	346	346	365	369	371	361	390	428	456	508	541	570	600	630	659
	10"	346	346	346	346	333	369	355	391	428	479	516	554	609	645	683	720	758	798
	12"	358	358	365	365	369	303	408	451	510	554	600	648	706	751	796	840	889	934
	14"	340	340	369	369	371	408	455	525	576	630	684	736	805	858	909	965	1029	1081
	16"	369	369	371	371	399	451	525	584	645	708	766	828	903	963	1025	1098	1158	1221
	18"	371	371	371	371	428	510	576	645	708	781	849	918	1000	1083	1150	1218	1289	1356
	20"	371	371	386	386	479	554	630	708	781	854	934	1006	1113	1165	1264	1343	1416	1491
	22"	376	376	338	360	516	600	684	766	849	934	1015	1113	1186	1294	1381	1463	1544	1626
	24"	376	376	416	444	554	648	736	828	918	1006	1113	1163	1309	1403	1493	1581	1671	1763
	26"	374	387	446	446	609	706	805	903	1000	1113	1186	1274	1411	1508	1604	1701	1800	1888
	27"	368	339	473	496	629	731	834	935	1051	1153	1255	1361	1461	1563	1661	1765	1866	2014
	28"	368	368	484	496	645	751	858	963	1083	1165	1294	1403	1508	1611	1716	1823	1916	2019
	30"	376	376	494	494	683	796	909	1025	1114	1255	1381	1342	1604	1716	1831	1933	2046	2163
	32"	404	404	520	520	720	840	965	1098	1180	1343	1463	1533	1701	1823	1933	2053	2178	2294
	34"	405	405	568	561	758	889	1016	1158	1289	1416	1544	1668	1800	1916	2046	2178	2306	2430
	35"	390	440	575	589	781	914	1058	1193	1324	1455	1586	1718	1853	2029	2163	2294	2425	2556
	36"	446	440	586	589	798	934	1081	1221	1356	1491	1621	1709	1888	2019	2163	2294	2430	2558
	38"	475	491	628	620	838	1011	1140	1281	1423	1568	1705	1846	1984	2135	2274	2414	2679	2761
	40"	501	481	651	660	904	1054	1190	1344	1490	1639	1789	1934	2091	2236	2385	2591	2748	2898
	42"	518	561	706	728	941	1113	1276	1438	1600	1758	1920	2078	2235	2450	2555	2719	2878	3050
	44"	565	585	731	763	980	1161	1333	1501	1668	1844	2006	2171	2340	2508	2676	2840	3024	3186
	46"	583	609	759	791	1021	1210	1388	1560	1746	1921	2095	2314	2443	2614	2790	2980	3151	3331
	48"	603	651	789	836	1061	1259	1440	1638	1816	2039	2224	2414	2599	2781	2918	3103	3288	3461
	50"	625	680	816	869	1114	1304	1503	1705	1883	2118	2315	2509	2698	2845	3039	3231	3413	3599
	52"	654	703	849	898	1154	1366	1568	1760	2010	2205	2409	2605	2761	2960	3154	3349	3544	3741
	54"	671	729	875	935	1208	1415	1618	1831	2076	2286	2491	2706	2861	3069	3270	3466	3676	3890
56"	689	751	918	970	1249	1458	1679	1890	2150	2363	2541	2800	2960	3173	3381	3598	3820	4026	
58"	724	788	946	1011	1284	1513	1730	1999	2219	2468	2634	2851	3073	3290	3506	3729	3948	4164	
60"	745	814	971	1043	1330	1556	1789	2059	2315	2548	2728	2878	3171	3395	3630	3858	4080	4308	
62"	761	836	1005	1074	1366	1608	1843	2149	2389	2579	2864	3019	3273	3584	3745	3974	4215	4448	
64"	789	860	1031	1105	1411	1653	1924	2214	2464	2705	2896	2758	3446	3624	3860	4106	4349	4584	
66"	895	895	1153	1153	1520	1764	2003	2258	2501	2750	2998	3165	3490	3731	3983	4230	4476	4728	
68"	923	923	1189	1189	1559	1813	2069	2318	2574	2829	3090	3340	3591	3848	4101	4356	4614	4864	
70"	948	1001	1215	1215	1600	1863	2121	2383	2646	2913	3171	3429	3693	3954	4215	4481	4744	5008	
72"	975	963	1248	1248	1645	1910	2178	2489	2724	2988	3253	3523	3790	4061	4331	4603	4875	5148	
74"	1003	1003	1281	1281	1689	1963	2238	2558	2800	3070	3343	3621	3896	4174	4454	4731	5011	5291	

- Size: Minimum size: 5" x 5", Maximum sheet size: 44" x 78"
- Material: 20 ga CRS beveled vision lite, 7/16" Ceramic Glass
- Frame Finish: Dark Bronze Powder Coat
- Other finishes, **see color chart on the Lites & Louvers catalog page 17**
- Glazing Tape: Standard 1/16" x 3/8" applied to both sides of glass
- Visible vision opening is 2" under order size.
- Fire Rating varies depending on size of glass.
- Order size is **Width x Height**. Unlisted sizes, use next larger size.
- For sizes more than the maximum width & height, call or email customer service.

50 BOLD (with *REVERSED ITALICS*) - In Stock (Quick Ship) Sizes, available for immediate shipping. Prices not within black boxes are custom made.

50 Shaded Areas, Non-Italicized Numbers are Non-Fire Rated.

- See page I for packaging & handling charges.
- Galvanneal Sheet for Exterior Applications; Prefix "G"; FRAME List x 1.2

◆◆◆ **NO RETURNS ACCEPTED ON CUSTOM SIZE ORDERS** ◆◆◆

ORDER FORMAT: (Series type - SVL or VL) (cut out **width**) (cut out **height**) PPF KIT; Example: **SVL 1832 PPF KIT**



VL & SVL SERIES
STANDARD & CUSTOM SIZES TEMP20 KIT

**OTHER FRAME COLORS
 AND CUSTOM SIZES
 AVAILABLE WITH
 FACTORY LEAD TIME
 (STANDARD DISCOUNT ONLY)**

Vision Lite, TEMP20 Glass and Glazing Tape Combination

- ◆ Kit includes: Frame + Glass + Glazing Tape
- ◆ 20-180 Minute Fire-Rated Steel Vision Lites for 3/16" to 1/4" Glass
- ◆ Impact Safety Rating: ANSI Z97.1 & CPSC 16 CFR 1201 (Cat. 1 & 11)
- ◆ Glass Fire Rating: 20 minutes
- ◆ Glass thickness: 1/4"
- ◆ Light Transmission: 90% approx.
- ◆ Designed for use with 1 3/4" doors only
- ◆ Custom size glass available with lead time & standard discount

		WIDTH OF OPENING (CUT OUT SIZE)																		
		5"	6"	7"	8"	10"	12"	14"	16"	18"	20"	22"	24"	26"	28"	30"	32"	34"	36"	
HEIGHT OF OPENING (CUT OUT SIZE)	4"	185	185	186	186	186	186	186	200	203	212	215	219	232	243	253	270	281	295	306
	6"	186	186	186	186	186	186	187	203	212	215	230	254	267	280	301	315	330	344	358
	8"	186	186	186	186	186	187	203	212	215	230	254	267	280	301	315	330	344	358	
	10"	186	186	186	186	177	187	212	226	231	270	287	287	325	342	361	378	394	415	
	12"	186	186	186	187	187	148	231	251	268	301	319	330	365	385	405	425	448	469	
	14"	190	186	203	203	212	231	251	287	309	330	358	380	405	427	449	476	499	523	
	16"	203	203	212	212	226	251	287	311	335	367	391	419	444	469	498	522	550	580	
	18"	212	212	212	205	231	268	309	335	335	397	427	441	482	514	542	572	605	632	
	20"	201	215	219	219	256	287	330	367	383	424	460	477	525	556	589	610	651	686	
	22"	219	219	164	208	273	305	358	391	413	460	493	517	564	600	638	681	706	738	
	24"	232	215	235	251	287	330	380	419	441	491	530	505	605	646	681	718	754	790	
	26"	329	225	257	275	325	365	405	444	482	525	564	590	648	687	727	766	805	844	
	27"	217	309	254	271	319	362	427	469	488	556	600	613	687	729	769	812	855	901	
	28"	217	217	262	281	325	370	427	469	500	556	600	635	687	729	769	812	855	902	
	30"	230	219	251	264	343	389	449	498	504	569	638	639	727	769	816	861	910	957	
	32"	248	249	260	266	359	408	476	522	530	619	670	658	766	812	861	913	962	1010	
	34"	254	295	314	337	394	448	499	550	605	653	706	729	805	855	910	962	1013	1062	
	35"	205	228	295	318	389	443	523	580	605	686	738	726	844	901	957	1010	1062	1113	
	36"	229	235	303	310	395	450	523	580	618	686	731	727	844	902	946	1010	1062	1113	
	38"	298	324	334	351	438	506	571	622	681	738	792	845	900	964	1023	1075	1186	1247	
	40"	311	339	369	397	468	536	590	651	711	767	823	881	947	1008	1063	1178	1242	1301	
	42"	321	350	415	444	505	568	634	701	767	825	903	967	1026	1092	1164	1231	1293	1394	
	44"	365	395	428	458	524	593	663	732	794	872	941	1001	1069	1145	1216	1279	1384	1455	
	46"	375	406	443	475	546	619	691	756	837	908	971	1042	1121	1193	1259	1367	1441	1517	
48"	387	419	461	495	570	644	711	802	868	936	1009	1091	1165	1235	1345	1422	1501	1570		
50"	403	437	479	515	592	662	749	835	895	972	1054	1131	1205	1317	1398	1478	1551	1632		
52"	427	464	500	536	610	705	785	858	942	1016	1099	1176	1284	1367	1451	1526	1610	1689		
54"	402	435	475	513	623	707	804	892	956	1056	1135	1217	1332	1418	1495	1583	1665	1747		
56"	445	483	545	585	669	747	837	917	1006	1088	1202	1235	1362	1460	1549	1634	1719	1813		
58"	475	516	563	604	684	777	860	951	1036	1153	1243	1336	1419	1511	1598	1686	1783	1871		
60"	455	491	533	574	684	773	890	979	1084	1190	1288	1254	1467	1557	1648	1747	1838	1929		
62"	498	541	597	640	728	826	916	1037	1133	1232	1320	1388	1511	1604	1706	1799	1893	1995		
64"	482	520	567	611	725	822	971	1070	1157	1262	1363	1380	1555	1659	1755	1852	1956	2054		
66"	530	575	632	677	773	901	1002	1105	1199	1304	1401	1426	1608	1705	1806	1912	2013	2126		
68"	548	595	647	693	823	928	1034	1130	1237	1338	1440	1550	1651	1753	1863	1966	2082	2186		
70"	560	608	693	741	848	956	1056	1165	1269	1373	1487	1590	1696	1808	1914	2033	2140	2229		
72"	604	672	714	763	875	976	1088	1196	1302	1418	1525	1654	1747	1856	1978	2097	2180	2296		
74"	622	672	733	786	900	1007	1118	1228	1341	1457	1567	1698	1796	1908	2033	2030	2244	2358		

- Size: Minimum size: 5" x 5", Maximum sheet size: 37" x 90"
- Material: 20 ga CRS beveled vision lite, 1/4" TEMP20 Glass
- Frame Finish: Dark Bronze Powder Coat
- Other finishes, see color chart on the Lites & Louvers catalog page 17
- Glazing Tape: Standard 1/16" x 3/8" applied to both sides of glass
- Visible vision opening is 2" under order size.
- Fire Rating varies depending on size of glass.
- Order size is **Width x Height**. Unlisted sizes, use next larger size.
- For sizes more than the maximum width & height, call or email customer service.

50 BOLD (with *REVERSED ITALICS*) - In Stock (Quick Ship) Sizes, available for immediate shipping. Prices not within black boxes are custom made.

50 Shaded Areas, Non-Italicized Numbers are Non-Fire Rated.

- See page I for packaging & handling charges.
- Galvanneal Sheet for Exterior Applications; Prefix "G"; FRAME List x 1.2

◆◆◆ **NO RETURNS ACCEPTED ON CUSTOM SIZE ORDERS** ◆◆◆

ORDER FORMAT: (Series type - SVL or VL) (cut out width) (cut out height) TEMP20 KIT; Example: **SVL 1832 TEMP20 KIT**



VL & SVL SERIES
STANDARD & CUSTOM SIZES WS KIT
Vision Lite, PROTECT3™ Wired Safety Glass,
Fire Rated(WS) and Glazing Tape Combination

**OTHER FRAME COLORS
 AND CUSTOM SIZES
 AVAILABLE WITH
 FACTORY LEAD TIME
 (STANDARD DISCOUNT ONLY)**

- ◆ Kit includes: Frame + Glass + Glazing Tape
- ◆ 20-180 Minute Fire-Rated Steel Vision Lites for 3/16" to 1/4" Glass
- ◆ Impact Safety Rating: CPSC 16 CFR 1201 Cat. 1 & 11
- ◆ Glass Fire Rating: 20 minutes to 90 minutes

- ◆ Glass is UL labeled standard
- ◆ Light Transmission: 86% approx.
- ◆ Designed for use with 1 3/4" doors only
- ◆ Custom size glass available with lead time & standard discount

		WIDTH OF OPENING (CUT OUT SIZE)																	
		5"	6"	7"	8"	10"	12"	14"	16"	18"	20"	22"	24"	26"	28"	30"	32"	34"	36"
HEIGHT OF OPENING (CUT OUT SIZE)	4"	0	234	234	234	234	244	244	258	261	256	268	280	299	319	321	330	335	338
	6"	234	234	234	234	234	244	244	258	261	256	268	280	299	315	329	340	355	375
	8"	234	234	234	234	234	253	258	261	260	279	304	321	360	371	389	416	435	453
	10"	234	234	234	234	221	258	256	278	299	335	358	378	419	439	464	484	506	531
	12"	244	244	253	253	258	216	286	311	351	378	404	434	473	501	526	553	581	609
	14"	229	229	258	258	261	286	313	360	390	420	454	483	530	560	591	624	666	698
	16"	258	258	261	261	288	311	360	395	429	466	499	535	585	620	658	690	726	779
	18"	261	261	261	271	299	351	390	429	464	508	548	586	640	675	719	771	816	854
	20"	261	261	276	276	335	378	420	466	508	548	595	639	690	731	798	845	886	930
	22"	266	266	256	248	358	404	454	499	548	595	641	706	743	815	866	913	959	1004
	24"	266	266	304	311	378	434	483	535	586	639	706	652	823	878	928	980	1030	1083
	26"	263	263	306	306	409	473	530	585	640	690	743	790	884	936	993	1046	1103	1165
	27"	256	264	340	345	429	489	546	604	678	735	806	828	910	968	1024	1050	1140	1244
	28"	256	256	346	345	439	501	560	620	675	731	815	878	936	996	1054	1118	1180	1239
	30"	266	266	330	283	464	526	591	658	698	789	866	806	993	1054	1120	1189	1258	1329
	32"	293	293	345	351	484	553	624	690	735	845	913	868	1046	1118	1189	1261	1336	1403
	34"	295	295	376	376	508	581	654	726	816	886	959	1005	1103	1180	1258	1336	1440	1484
	35"	284	299	394	394	523	596	683	761	835	909	981	1058	1133	1254	1329	1403	1476	1550
	36"	299	299	394	404	531	609	698	779	854	930	1000	940	1165	1280	1354	1403	1484	1556
	38"	344	344	414	414	545	644	730	814	894	978	1055	1140	1219	1313	1391	1474	1611	1733
	40"	358	358	445	445	581	678	758	849	934	1021	1110	1190	1288	1369	1458	1600	1724	1809
	42"	379	398	496	499	630	731	825	918	1013	1100	1203	1296	1393	1515	1580	1706	1796	1883
	44"	419	415	514	524	653	763	859	956	1049	1154	1258	1355	1481	1553	1681	1776	1865	1961
	46"	431	431	530	543	679	791	894	990	1100	1209	1313	1440	1516	1648	1748	1843	1941	2089
48"	444	465	550	576	704	823	923	1043	1140	1284	1389	1501	1606	1709	1804	1914	2063	2164	
50"	460	486	568	599	741	846	965	1083	1179	1330	975	1556	1661	1764	1875	2029	2135	2249	
52"	481	501	591	615	766	894	1005	1114	1276	1386	1503	1613	1715	1834	1948	2098	2215	2330	
54"	493	520	605	641	805	923	1034	1159	1315	1435	1551	1676	1776	1936	2050	2129	2291	2386	
56"	503	535	639	668	830	946	1074	1191	1361	1480	1589	1730	1834	1995	2080	2246	2366	2468	
58"	531	563	658	694	849	981	1104	1276	1400	1551	1648	1775	1934	2064	2190	2316	2423	2549	
60"	545	576	671	666	883	1006	1140	1313	1420	1556	1684	1738	1936	2068	2206	2340	2466	2600	
62"	555	620	694	760	903	1041	1173	1375	1513	1655	1783	1921	2056	2190	2333	2505	2640	2783	
64"	576	641	711	789	933	1069	1231	1415	1559	1695	1836	1845	2116	2261	2400	2578	2724	2863	
66"	586	655	733	814	954	1123	1310	1458	1598	1744	1888	2018	2180	2325	2505	2656	2801	2958	
68"	605	675	750	834	1005	1154	1348	1493	1645	1793	1939	2093	2241	2390	2580	2728	2889	3039	
70"	619	690	795	880	1033	1189	1379	1534	1686	1838	1998	2149	2303	2460	2649	2813	2968	3126	
72"	659	733	829	903	1064	1215	1416	1574	1729	1891	2049	2205	2366	2561	2729	2888	3050	3210	
74"	678	755	850	928	1094	1249	1455	1619	1778	1944	2106	2266	2434	2634	2806	2969	3138	3301	

- Size: Minimum size: 5" x 5", Maximum sheet size: 49" x 97"
- Material: 20 ga CRS beveled vision lite, 1/4" Wired Glass with film
- Frame Finish: Dark Bronze Powder Coat
- Other finishes, see color chart on the Lites & Louvers catalog page 17
- Glazing Tape: Standard 1/16" x 3/8" applied to both sides of glass
- Visible vision opening is 2" under order size.
- Fire Rating varies depending on size of glass.
- Order size is **Width x Height**. Unlisted sizes, use next larger size.
- For sizes more than the maximum width & height, call or email customer service.

50 BOLD (with *REVERSED ITALICS*) - In Stock (Quick Ship) Sizes, available for immediate shipping. Prices not within black boxes are custom made.

50 Shaded Areas, Non-Italicized Numbers are Non-Fire Rated.

- See page I for packaging & handling charges.
- Galvanneal Sheet for Exterior Applications; Prefix "G"; FRAME List x 1.2

◆◆◆ **NO RETURNS ACCEPTED ON CUSTOM SIZE ORDERS** ◆◆◆

ORDER FORMAT: (Series type - SVL or VL) (cut out width) (cut out height) WS KIT; Example: **SVL 1832 WS KIT**



**VL & SVL SERIES
STANDARD & CUSTOM SIZES TEMP KIT**

Vision Lite, Tempered Glass and Glazing Tape Combination

**OTHER FRAME COLORS
AND CUSTOM SIZES
AVAILABLE WITH
FACTORY LEAD TIME
(STANDARD DISCOUNT ONLY)**

- ◆ Kit includes: Frame + Glass + Glazing Tape
- ◆ Clear wire free glass recommended for Non-Fire Rated applications
- ◆ Glass Fire Rating: **Non-Fire Rated**
- ◆ Light Transmission: 90% approx.
- ◆ Designed for use with 1 3/4" doors only
- ◆ Custom size glass available with lead time & standard discount

		WIDTH OF OPENING (CUT OUT SIZE)																	
		5"	6"	7"	8"	10"	12"	14"	16"	18"	20"	22"	24"	26"	28"	30"	32"	34"	36"
HEIGHT OF OPENING (CUT OUT SIZE)	4"	173	173	173	173	173	142	173	186	190	197	200	203	232	235	239	247	253	255
	6"	173	173	173	173	173	142	186	190	197	200	203	214	235	239	244	247	258	262
	8"	173	173	173	173	173	142	190	197	200	203	214	219	244	253	254	258	257	265
	10"	173	173	173	173	170	142	197	200	203	222	225	229	247	254	258	257	257	265
	12"	173	173	173	173	173	147	200	203	222	225	229	226	247	248	257	257	257	265
	14"	161	161	190	190	197	200	200	222	225	229	235	240	254	253	257	294	298	316
	16"	190	190	197	197	200	203	222	225	229	235	243	254	254	287	290	298	301	319
	18"	197	197	197	193	203	222	225	229	229	243	255	254	290	290	298	316	351	351
	20"	197	193	203	203	222	225	229	235	243	251	265	276	290	290	339	345	345	351
	22"	203	203	171	181	225	229	235	243	255	265	277	290	290	328	345	345	377	386
	24"	201	201	219	192	229	232	240	254	254	276	290	259	328	351	351	382	392	396
	26"	199	199	200	203	232	247	254	254	290	290	290	311	351	373	384	395	407	428
	27"	190	204	226	232	240	254	257	286	290	290	328	355	367	380	392	404	417	431
	28"	190	190	226	232	240	254	257	287	290	290	328	351	373	384	396	410	428	431
	30"	201	201	197	200	254	257	257	290	273	328	345	303	384	396	410	428	464	476
	32"	232	232	197	203	254	257	294	298	276	345	345	315	395	410	428	464	476	480
	34"	233	233	215	222	257	257	301	301	351	345	377	360	407	428	464	476	511	512
	35"	210	200	219	224	257	265	316	319	353	351	384	345	415	431	476	480	512	513
	36"	200	200	219	217	257	265	316	319	351	351	382	332	428	431	476	480	512	513
	38"	236	236	233	239	257	309	320	351	357	395	396	429	431	476	480	512	580	624
	40"	240	240	251	255	276	320	320	357	360	396	429	431	476	480	512	580	624	632
	42"	279	279	295	301	316	351	388	402	432	447	486	494	533	585	580	624	632	686
	44"	283	283	317	316	341	359	399	406	439	471	494	533	529	580	632	632	686	694
	46"	288	288	322	319	352	370	406	431	455	494	533	546	580	589	632	686	694	737
	48"	316	316	330	339	363	386	418	460	476	516	563	574	607	640	656	694	737	740
	50"	330	330	338	349	386	406	440	473	483	531	574	610	632	656	694	748	740	777
	52"	345	345	352	353	396	436	460	480	531	578	575	617	656	694	705	740	777	792
	54"	348	348	357	367	406	446	466	498	540	575	620	620	662	705	740	744	792	840
56"	351	351	381	392	413	451	484	505	544	585	620	668	694	708	744	805	829	850	
58"	373	373	388	399	435	468	491	553	592	631	636	673	718	765	794	820	850	889	
60"	380	382	395	404	451	476	505	560	599	642	678	609	723	759	813	847	889	903	
62"	381	385	408	418	458	490	516	567	610	646	686	697	773	802	820	856	903	944	
64"	395	402	414	439	471	498	556	610	614	654	693	642	787	824	857	903	944	952	
66"	397	406	428	451	480	538	577	629	662	712	744	668	794	842	871	911	952	995	
68"	407	417	435	460	518	551	596	632	669	715	759	798	829	861	911	952	995	1005	
70"	413	425	471	484	522	567	599	640	679	741	762	798	846	886	920	963	1005	1049	
72"	447	439	495	491	531	575	607	650	696	731	765	807	847	889	932	974	1017	1063	
74"	460	451	511	504	546	591	625	669	718	755	791	835	876	918	963	1007	1052	1098	

- Size: Minimum size: 3" x 3", Maximum sheet size: 88" x 118"
 - Material: 20 ga CRS beveled vision lite, 1/4" heat Tempered Glass
 - Frame Finish: Dark Bronze Powder Coat
 - Other finishes, see color chart on the Lites & Louvers catalog page 17
 - Glazing Tape: Standard 1/16" x 3/8" applied to both sides of glass
 - Visible vision opening is 2" under order size.
 - Order size is **Width x Height**. Unlisted sizes, use next larger size.
 - For sizes more than the maximum width & height, call or email customer service.
- BOLD** Bold / Shaded - In stock (Quick Ship) Sizes, available for immediate shipping. Prices not in bold fonts are custom made.
- See page I for packaging & handling charges.
 - Galvanneal Sheet for Exterior Applications; Prefix "G"; FRAME List x 1.2
- ◆◆◆ **NO RETURNS ACCEPTED ON CUSTOM SIZE ORDERS** ◆◆◆

ORDER FORMAT: (Series type - SVL or VL) (cut out width) (cut out height) TEMP KIT; Example: SVL 1832 TEMP KIT



GLASS List Prices ...

IN STOCK GLASS / ACCESSORIES

VISION LITE NARROW & STANDARD PROFILE, 1/4" & 3/16" GLASS THICKNESS

Glass sizes are measured 1" less than the cut out size

IN STOCK SIZES				
GLASS SIZES (W x H)	PPF (3/16")	TEMP20 (1/4")	WS (1/4")	TEMP (1/4")
	LIST PRICE EACH			
4" x 34"	\$208	\$89	\$122	\$36
5" x 25"	208	---	---	---
5" x 26"	208	203	122	36
5" x 71"	564	---	---	---
6" x 21"	208	82	122	36
7" x 17"	---	---	126	---
7" x 23"	---	---	---	38
7" x 29"	---	---	176	---
7" x 31"	---	---	188	36
7" x 35"	---	---	208	36
11" x 11"	208	83	122	36
23" x 23"	---	---	447	68
23" x 29"	1061	508	562	86
23" x 31"	---	---	618	92
23" x 35"	---	---	698	103
23" x 63"	2329	---	1257	187

See pages LL12 - LL15 for list of custom cut sizes.
Call our Customer Service for unlisted sizes.

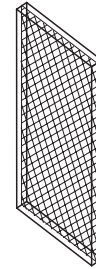
IN STOCK
FOR IMMEDIATE SHIPPING



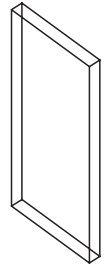
PYRAN



TEMP20



WIRESHIELD



TEMPERED

PPF (PYRAN® PLATINUM F, Fire & Safety Rated)

- Fire-Rated up to 90 minutes (180 minutes in doors) with required hose stream test
- Fire and Safety-Rated Glass Impact / Safety Rated to ANSI Z97.1 and CPSC 16CFR1201 CAT II
- Thickness: 3/16" (5mm). Weight: 2.5 lbs / ft.²
- Premium glass-ceramic with surface applied heavy duty film
- Transparent and wireless with light transmission at 80% approx.
- Certified C2C-Silver by MBDC and is listed in the EPA's Environmentally Preferable Purchasing (EPP) database and can earn LEED points
- Size: Minimum 4" x 6", Maximum sheet size: 43" x 77"

TEMP20 (TEMP20™, Fire & Safety Rated)

- Clear fire rated and impact-safety rated glass for 20 min fire doors
- Transparent and wireless
- Impact-safety rated to ANSI Z97.1 and CPSC 16 CFR1201 CAT I and II
- Tempered glass for safety and security
- Meets NFPA 80 requirements for certification and labeling
- Light Transmission: 90% approx
- Thickness: 1/4" (6 mm)
- Size: Minimum 4" x 4", Maximum sheet size: 36" x 89"

WS (PROTECT3™ Wired Safety Glass, Fire Rated)

- Fire Rated up to 90 minutes with hose stream
- UL classified and UL labeled
- Impact-safety rated to ANSI Z97.1 and CPSC 16CFR1201 CAT I and II
- Passes 400 ft-lb impact tests
- Passes air blast testing - minimum Level 3 @ 4.0PSI
- Embedded 3/4" x 3/4" wire mesh
- Light Transmission: 86% approx
- Thickness: 1/4" (6 mm)
- Annealed single glazing with safety film applied to one side
- Size: Minimum 4" x 4", Maximum sheet size: 48" x 96"

TEMP (Tempered Glass)

- Heat-treated clear safety glass that breaks into small particles when broken.
- Light Transmission: 86% approx
- Thickness: 1/4" (6 mm)
- **Non-Fire Rated**
- Size: Minimum 2" x 2", max sheet size: 87" x 117"

Use of glazing compound or glazing tape on both sides recommended to minimize breakage. Install in fire listed vision frames.

Prices above do not include Glazing Tape. Black Glazing Tape: 1/16" x 3/8" x 150': \$51.00 list per roll, item # "GT"

See page I for packaging and handling charges.



STANDARD & CUSTOM SIZES GLASS

PYRAN® Platinum F Glass

- ◆ Glass is UL labeled standard
◆ Fire Rating: 20 minutes to 3 hours
◆ Light Transmission: 80% approx.
◆ Size: Minimum size: 4" x 6", max sheet size 43" x 77".
◆ Thickness: 3/16" (5mm)
◆ Impact safety rating: CPSC 16 CFR 1201 Cat. I and II, ANSI Z79.1
◆ Surface Applied Heavy Duty Safety Film
◆ Environmentally-friendly glass ceramic manufactured free of toxins and hazardous heavy metals
◆ Custom size glass available with lead time & standard discount

Table with columns for WIDTH OF GLASS (4" to 36") and rows for HEIGHT OF GLASS (4" to 77"). Prices are listed in a grid format.

- Use of glazing compound or glazing tape on both sides recommended to minimize breakage. Install in fire listed vision frames.
• Prices above do not include Glazing Tape.
• Black Glazing Tape, item # "GT" 1/16" x 3/8" x 150': \$51.00 list per roll
• Order this glazing complete with Vision Lite as a kit on page LL7.
• Order size is Width x Height. Unlisted sizes, use next larger size.

BOLD Bold / Shaded - In stock (Quick Ship) Sizes, available for immediate shipping. Prices not in bold fonts are custom cut.
• For sizes more than the maximum width & height, call or email customer service.
• See page I for packaging and handling charges.
◆◆◆ NO RETURNS ACCEPTED ON CUSTOM SIZE ORDERS ◆◆◆

ORDER FORMAT: PPF x (width of glass) x (height of glass); Example: PPF1832



STANDARD & CUSTOM SIZES GLASS

TEMP20 Glass

- ◆ Tempered glass for safety and security
◆ Fire Rated to 20 minutes
◆ Light Transmission: 90%

- ◆ Size: Minimum size: 4" x 4", max sheet size 36" x 89".
◆ Impact safety rating: ANSI Z97.1 and CPSC 16 CFR 1201 (Cat. I and II)
◆ Transparent & wireless
◆ Can be used in standard fire rated doors of same rating
◆ Thickness: 1/4" (6mm)
◆ Custom size glass available with lead time & standard discount

Table with columns for Width of Glass (4" to 36") and Height of Glass (4" to 77"). Contains price data for various glass sizes, with some cells in bold indicating in-stock items.

- Use of glazing compound or glazing tape on both sides recommended to minimize breakage. Install in fire listed vision frames.
• Prices above do not include Glazing Tape.
• Black Glazing Tape, item # "GT" 1/16" x 3/8" x 150': \$51.00 list per roll
• Order this glazing complete with Vision Lite as a kit on page LL8.
• Order size is Width x Height. Unlisted sizes, use next larger size.
• For sizes more than the maximum width & height, call or email customer service
• See page I for packaging and handling charges.
◆◆◆ NO RETURNS ACCEPTED ON CUSTOM SIZE ORDERS ◆◆◆

ORDER FORMAT: TEMP20 x (width of glass) x (height of glass); Example: TEMP20-1832



STANDARD & CUSTOM SIZES GLASS

Tempered Glass

- ◆ Heat-treated clear safety glass that breaks into small fragments when broken
- ◆ Light Transmission: 86% approx.
- ◆ Weight: 2.5lbs./sq. ft.
- ◆ Size: Minimum size: 2" x 2", max sheet size 87" x 117"
- ◆ Fire Rating: None
- ◆ Impact safety rating: CPSC 16CFR 1201 Cat. I and II
- ◆ Thickness: 1/4" (6mm)
- ◆ Custom size glass available with lead time & standard discount

		WIDTH OF GLASS																						
		4"	5"	6"	7"	8"	9"	10"	11"	12"	14"	16"	17"	18"	20"	22"	23"	24"	26"	28"	30"	32"	34"	36"
HEIGHT OF GLASS	4"	50	50	50	50	50	50	50	50	38	38	38	38	38	38	38	38	38	38	38	38	38	38	38
	6"	50	50	50	50	50	50	50	50	38	38	38	38	38	38	38	38	38	38	38	38	38	38	38
	9"	50	50	50	50	50	50	38	38	38	38	38	38	38	38	38	38	38	38	38	38	38	42	44
	11"	50	50	50	50	38	38	36	36	38	38	38	38	38	38	38	38	38	42	45	47	50	53	
	12"	50	50	50	50	38	38	38	38	38	38	38	38	38	38	38	38	38	42	45	48	51	54	58
	14"	38	38	38	38	38	38	38	38	38	38	38	38	38	38	42	44	45	49	52	57	60	64	67
	16"	38	38	38	38	38	38	38	38	38	38	38	38	38	43	47	49	51	55	60	64	68	73	77
	17"	38	38	38	38	38	38	38	38	38	38	38	38	42	46	50	52	54	59	64	68	73	77	82
	19"	38	38	38	38	38	38	38	38	38	38	41	44	46	51	55	59	61	66	71	76	81	86	92
	21"	38	38	36	38	38	38	38	38	38	39	45	48	51	57	62	65	67	73	79	84	90	95	101
	23"	38	38	38	38	38	38	38	38	38	44	49	52	55	62	67	68	74	80	86	92	98	105	110
	24"	38	38	38	38	38	38	38	38	38	45	51	54	58	64	70	74	77	83	90	96	102	109	115
	26"	38	36	38	38	38	38	38	38	42	49	55	59	63	69	77	80	83	91	97	103	111	117	125
	27"	38	38	38	38	38	38	39	39	44	51	58	62	65	73	79	83	86	94	101	108	115	123	129
	29"	38	38	38	38	38	38	43	43	47	54	62	66	69	78	85	86	93	100	108	116	124	131	139
	31"	38	38	38	36	38	38	46	46	50	58	66	70	75	83	91	92	99	108	115	124	132	141	148
	32"	38	38	38	38	38	38	47	47	51	60	68	73	77	85	94	98	102	111	119	128	137	145	154
	34"	36	38	38	38	42	42	50	50	54	64	73	77	82	91	100	105	109	117	127	135	145	154	163
	35"	38	38	38	36	43	43	51	51	57	65	75	79	84	94	102	103	112	122	130	140	149	158	167
	36"	38	38	38	38	44	44	53	53	58	67	77	82	86	96	106	110	115	125	134	144	154	163	173
	38"	38	38	38	38	46	46	55	55	61	71	81	86	92	101	111	116	122	131	142	151	162	172	182
	40"	38	38	38	38	48	48	59	59	64	75	85	91	96	107	117	123	128	139	149	160	171	181	192
	42"	38	38	38	39	51	51	62	62	67	79	90	95	101	112	123	129	134	145	157	167	179	190	202
	44"	38	38	38	42	53	53	65	65	70	82	94	100	106	117	129	134	141	153	164	176	188	199	210
	46"	38	38	38	44	55	55	67	67	74	86	98	105	110	123	134	141	147	159	172	183	196	208	220
	48"	38	38	38	45	58	58	70	70	77	90	102	109	115	128	141	147	154	166	179	192	204	217	229
	50"	38	38	41	47	60	60	74	74	80	94	107	113	119	133	146	153	160	173	187	199	212	226	239
	52"	38	38	42	49	63	63	77	77	83	97	111	117	125	139	153	159	166	180	194	207	221	235	249
53"	38	38	43	50	64	64	78	78	85	99	113	121	127	141	155	162	170	183	197	211	225	240	254	
54"	38	38	44	51	65	65	79	79	86	101	115	123	129	144	158	165	173	187	202	215	229	244	258	
56"	38	38	45	52	67	67	82	82	90	105	119	127	134	149	164	172	179	194	208	223	238	253	268	
58"	38	39	47	54	69	69	85	85	93	108	124	131	139	155	170	177	186	201	215	231	246	262	277	
59"	38	39	48	55	71	71	86	86	95	110	126	133	142	157	173	175	189	204	220	236	251	267	283	
60"	38	41	48	57	73	73	89	89	96	112	128	135	144	160	176	183	192	207	223	239	255	271	287	
62"	38	42	50	58	75	75	91	91	99	115	132	141	148	165	181	190	198	214	230	247	263	281	297	
63"	38	43	51	59	76	76	93	93	101	117	134	143	151	167	185	187	202	218	235	252	268	285	302	
64"	38	43	51	60	77	77	94	94	102	119	137	145	154	171	188	196	204	221	238	255	272	289	306	
66"	38	45	53	62	79	79	97	97	106	123	141	149	158	176	193	202	210	228	245	263	281	299	316	
68"	38	46	54	64	82	82	100	100	109	127	145	154	163	181	199	208	217	235	253	271	289	307	325	
70"	38	47	57	65	84	84	102	102	112	130	149	158	167	187	205	214	223	242	260	279	298	316	335	
72"	38	48	58	67	86	86	106	106	115	134	154	163	173	192	210	220	229	249	268	287	306	325	345	
74"	39	49	59	69	89	89	109	109	118	138	158	168	178	197	216	226	236	255	275	295	315	334	354	

- Use of glazing compound or glazing tape on both sides recommended to minimize breakage. Install in fire listed vision frames.
- Prices above do not include Glazing Tape.
- Black Glazing Tape, item # "GT" 1/16" x 3/8" x 150': **\$51.00 list per roll**
- Order this glazing complete with Vision Lite as a kit on page LL10.
- Order size is **Width x Height**. Unlisted sizes, use next larger size.

BOLD Bold / Shaded - In stock (Quick Ship) Sizes, available for immediate shipping. Prices not in bold fonts are custom cut.

- For sizes more than the maximum width & height, call or email customer service.
- **See page I for packaging and handling charges.**

◆◆◆ **NO RETURNS ACCEPTED ON CUSTOM SIZE ORDERS** ◆◆◆

ORDER FORMAT: TEMP x (width of glass) x (height of glass); Example: TEMP1832



LOUVERS *List Prices . . .*

YLV, DIVIDED REVERSE "Y" BLADE LOUVERS

90 Minute Fire-Rated Steel Louvers

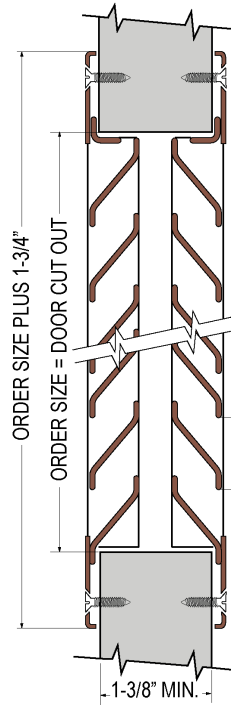
IN STOCK
FOR IMMEDIATE SHIPPING

OTHER FRAME COLORS
AVAILABLE WITH
FACTORY LEAD TIME
(STANDARD DISCOUNT ONLY)

- ▶ For use in Fire Rated Door Applications under Positive and Neutral Pressure Intertek Testing Certification in Compliance to NFPA 252 (2000), UL 10C (2009), NFPA 252 (2012), CSI CIDE 89000

Louvers & Vents

- ▶ 18 Gauge Cold Rolled Steel Frame and Blades
- ▶ Mitered Welded Corner Frame Construction
- ▶ Divided Row "Y" Blades Spaced at 1" Increments with Blocked Vision Design
- ▶ Counter Sunk Mounting Holes with Screws for each Side of the Door
- ▶ Minimum Door Size Thickness: 1 3/8"
- ▶ Baked on Powder Coat Finish.
- ▶ Free Flow Area: 50% free area
- ▶ Color: **Dark Bronze (DB)**
- ▶ See color chart on page 17 of the catalog for **CUSTOM COLORS**, available with factory lead time at standard discount only
- ▶ Fasteners: Phillips Head Screws # 8 x 3/4"
- ▶ Individually boxed



Intertek

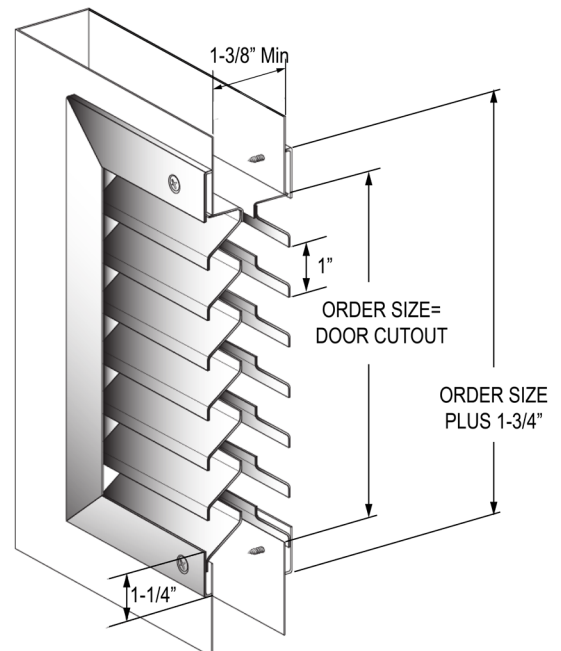
ITEM #	SIZES (DOOR CUTOUT) Width x Height	PCS / MC	LIST PRICE EACH
YLV1212	12" x 12"	4	\$139
YLV1812	18" x 12"	2	157
YLV1818	18" x 18"	4	188
YLV2412	24" x 12"	2	188
YLV2424	24" x 24"	1	293

Shaded Items are Non-Fire Rated.

See Lites & Louvers Intertek Certification for detailed information on Fire Ratings.
Or visit: <https://www.cal-royal.com/files/Lites-and-Louvers-Certification.pdf>

SCREENS LIST PRICE: (\$20.00 MINIMUM ORDER EACH)

- Framed Aluminum Insect: \$16.00 / sq.ft.
(prefix FA) - Ex. **FAYLV1212**
- Unframed Aluminum Insect: \$14.00 / sq.ft.
(prefix UA) - Ex. **UAYLV1212**





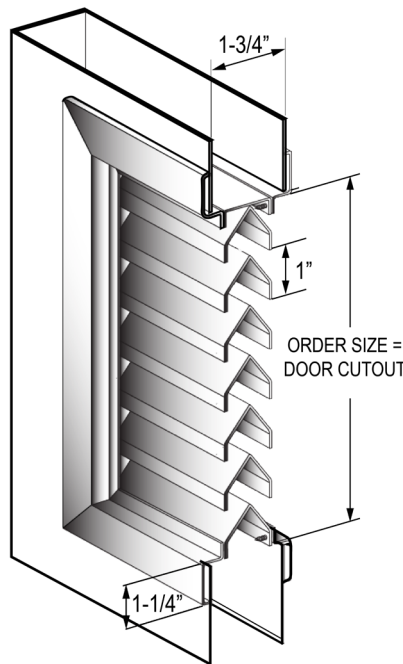
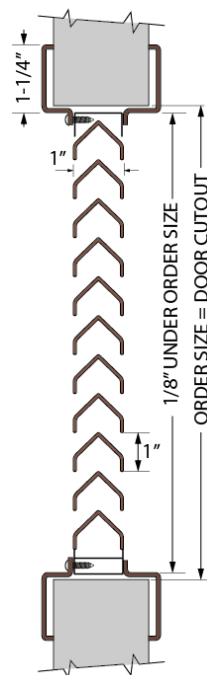
VLV, INVERTED Y-BLADE LOUVERS

90 Minute Fire-Rated Steel Louvers

- ▶ For use in Fire Rated Door Applications under Positive and Neutral Pressure Intertek Testing Certification in Compliance to NFPA 252 (2000), UL 10C (2009), NFPA 252 (2012), CSI Code 089000 Louvers & Vents
- ▶ 18 Gauge Cold Rolled Steel Frame and Blades
- ▶ Mitered Welded Corner Frame Construction
- ▶ Reverse “Y” Blades are Framed Supported at 1” Increments with Blocked Vision Design
- ▶ Single Side Mounting for Non Corridor Exposure with Fastening Screw Included
- ▶ Designed for use with 1 3/4” Doors Only
- ▶ Baked on Powder Coat Finish
- ▶ Free Flow Area: 50% free area
- ▶ Standard Color: **Dark Bronze (DB)**
- ▶ Available in **Grey (PR) & Flat Black (FBK)** in selected sizes only
- ▶ **See color chart on page 17 of the catalog for CUSTOM COLORS, available with factory lead time at standard discount only**
- ▶ Fasteners: Phillips Head Screws # 8 x 3/4”
- ▶ Individually boxed.

IN STOCK
FOR IMMEDIATE SHIPPING

OTHER FRAME COLORS AVAILABLE WITH FACTORY LEAD TIME (STANDARD DISCOUNT ONLY)



IN STOCK COLORS	ITEM #	SIZES (DOOR CUTOUT) Width x Height	PCS / MC	LIST PRICE EACH
DB, PR, FBK	*VLV1212	12" x 12"	4	\$102
DB	VLV1218	12" x 18"	2	151
DB, PR	*VLV1224	12" x 24"	2	189
DB, PR, FBK	*VLV1812	18" x 12"	2	123
DB, PR, FBK	*VLV1818	18" x 18"	2	144
DB	VLV1824	18" x 24"	2	180
DB	VLV1860	18" x 60"	2	647
DB	VLV1864	18" x 64"	2	693
DB	VLV2010	20" x 10"	2	155
DB, PR, FBK	*VLV2412	24" x 12"	2	143
DB, FBK	*VLV2418	24" x 18"	2	163
DB, PR, FBK	*VLV2424	24" x 24"	1	199
DB, FBK	*VLV2460	24" x 60"	2	611
DB	VLV2464	24" x 64"	2	638

Shaded Items are Non-Fire Rated.

*In stock in other colors: Suffix “-PR”, or “-FBK” after ITEM#
Example: To order VLV1212 in GREY finish, use **VLV1212-PR**.

SCREENS LIST PRICE: (\$20.00 MINIMUM ORDER EACH)

- Framed Aluminum Insect: \$16.00 / sq.ft. (prefix FA) - Ex. **FAVLV1212**
- Unframed Aluminum Insect: \$14.00 / sq.ft. (prefix UA) - Ex. **UAVLV1212**

See Lites & Louvers Intertek Certification for detailed information on Fire Ratings.
Or visit: <https://www.cal-royal.com/files/Lites-and-Louvers-Certification.pdf>



FLLV, ADJUSTABLE FUSIBLE LINK LOUVERS

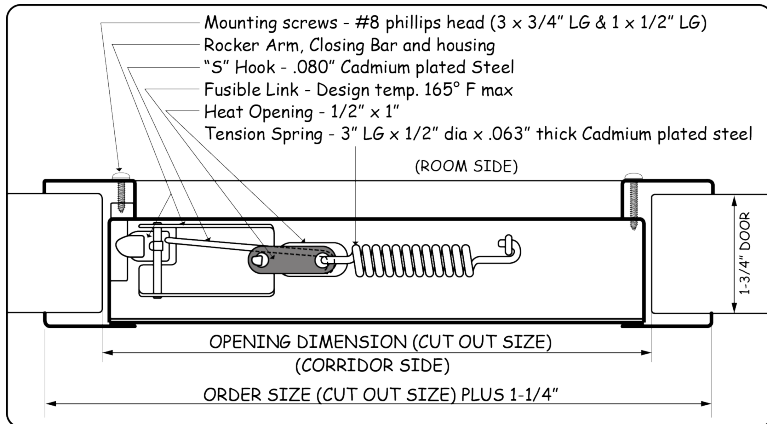
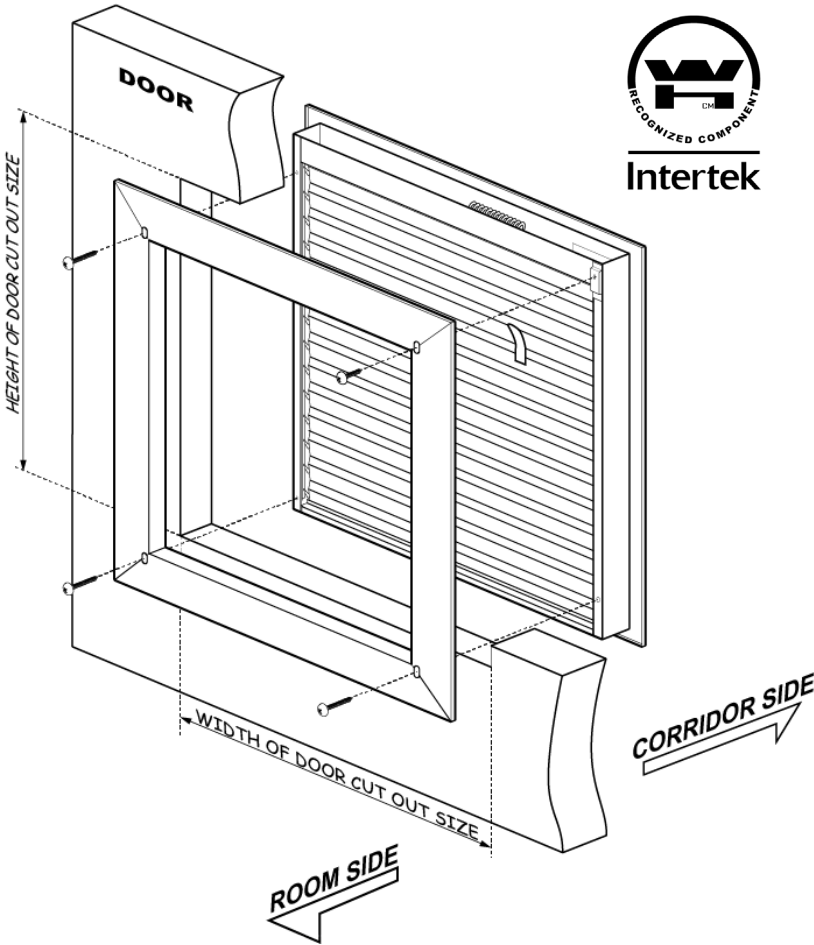
90 Minute Fire-Rated Steel Louvers

IN STOCK
FOR IMMEDIATE SHIPPING

OTHER FRAME COLORS
AVAILABLE WITH
FACTORY LEAD TIME
(STANDARD DISCOUNT ONLY)



Intertek



- ▶ For use in Fire Rated Door Applications under Positive and Neutral Pressure Intertek Testing Certification in Compliance to NFPA 252 (2000), UL 10C (2009), NFPA 252 (2012), CSI Code 089000 Louvers & Vents
- ▶ Fusible Link Design Temperature 165°F Max
- ▶ 16 Gauge Cold Rolled Steel Frame and Blades
- ▶ Mitered Welded Corner Frame Construction
- ▶ Free Flow Area: 45% free area
- ▶ 1 9/16" Deep Louver Assembly
- ▶ Cadmium Plated Steel Rivets
- ▶ Cadmium Plated Steel Tension Spring
- ▶ Door Size Thickness: 1 3/4" Only
- ▶ Baked on Powder Coat Finish
- ▶ Color: **Dark Bronze (DB)**
- ▶ See color chart on page 17 of the catalog for **CUSTOM COLORS**, available with factory lead time at standard discount only
- ▶ Fasteners: (3) #8 x 3/4" & (1) #8 x 1/2" LG
- ▶ Individually boxed

ITEM #	SIZES (DOOR CUTOUT) Width x Height	PCS / MC	LIST PRICE EACH
FLLV1212	12" x 12"	4	\$289
FLLV1224	12" x 24"	2	440
FLLV1812	18" x 12"	2	315
FLLV1818	18" x 18"	2	362
FLLV1824	18" x 24"	2	503
FLLV2412	24" x 12"	2	342
FLLV2418	24" x 18"	2	427
FLLV2424	24" x 24"	2	404

SCREENS LIST PRICE: (\$20.00 MINIMUM ORDER EACH)

- Framed Aluminum Insect: \$16.00 / sq.ft. (prefix FA) - Ex. **FAFLLV1212**

See Lites & Louvers Intertek Certification for detailed information on Fire Ratings.
Or visit: <https://www.cal-royal.com/files/Lites-and-Louvers-Certification.pdf>

DKS

LABOR CHARGES



**NET PRICES
APRIL 2024**



TABLE OF CONTENTS	
ITEM / DESCRIPTION	PAGE NO.
DKS Door Labor Charges	LC1-LC2
DKS Frame Labor Charges	LC3-LC4



DKS DOOR LABOR CHARGES

ALL PRICES ARE NET

Additional Door Preparations		
ITEM NO	DESCRIPTION	NET PRICE
1. Lites & Louvers Cut-Out		
LDLCO-1	Cut-Out up to 24" x 12"	\$30
LDLCO-2	Larger Cut-Out (Cut-Out Only)	35
LDREINF	Reinforced Cut-Out with Channel	30

2. Lites & Louvers Installation		
LDINST-LT1	Lite Installation up to 24" x 34"	15
LDINST-LT2	Lite Installation up to 24" x 64"	20
LDINST-LV1	Louver Installation up to 24" x 24"	15
LDINST-LV2	Louver Installation up to 24" x 64"	20
LDINST-GL1	Lite Installation w/ Glass up to 24" x 34"	30
LDINST-GL2	Lite Installation w/ Glass up to 24" x 64"	40

3. Modification Rates		
LDAUX	Aux Fire Latch Prep for Exit Device	25
LDTHRU	Security Thru Bolt Holes	12
LD-ROLLER	Roller Latch Prep	36
LD-CVR	Prep for Concealed Vertical Rod	120
LD-SVR	Prep for Surface Vertical Rod	28
LDRRP	Rim Panic Prep	28
LDCARD	Card Lock Prep	28
LDSEC	Sectional Trim	28
LD-DPS	Door Position Switch Prep	28
LDPOD	Deadbolt Prep	28
LDMDB	Mortise Deadbolt Prep	28
LDMPEX	Mortise Panic/Exit Prep	28

ITEM NO	DESCRIPTION	NET PRICE
LD-161	161 Lock Prep 2-1/8" Bore	\$28
LD-86	MB/86 Edge Prep	28
LDBLK-161	Blank Out Edge 161 Prep	15
LDBLK-86	Black Out Edge MB/86 Prep	15
LDBLK-FCEDG	Blank Out Face and Edge Prep	20
LDWELDAST	Weld Flat Astragal	20
LDUNWELDAST	Unweld Flat Astragal on Door	116
LD-CUT-AST	Cut Flat Astragal	10
LDEPT	Electric Power Transfer (Door)	70
LDCMZIA	Edge prep for Z Astragal & Flushbolt Guides (Z Astragal not included)	64
LDADB	Automatic Door Bottom (Channel not included)	28
LDCOC	Concealed Overhead Closer (Channel not included)	60
LDCOS	Concealed Overhead Stop (Channel not included)	60
LDCMTC	Convert MB to C Lock Prep	28
LDCMTA	Convert MB to ASA	28
LD-ASA	ASA Strike Prep	28
LDELEC-HP	Electric Hinge Prep	25
LDELEC-STK	Electric Strike Prep on Inactive Door	28
LDMFB	Manual FB Prep Top & Bottom	36
LDAFB	Automatic FB Prep Top & Bottom	36
LDUNDERCUT	Door Undercut (Channel not included)	32
LDMAILSLLOT	Mail Slot Cut-Out Only	15
LDDVPP	Peep Hole	8

DOOR LABOR CHARGES ARE SUBJECT TO CHANGE WITHOUT PRIOR NOTICE. LISTED CHARGES ARE REGULAR BUT MAY VARY DEPENDING ON THE SCOPE OF THE JOB REQUESTED. ALL TEMPLATES ARE SUBJECT FOR REVIEW. PLEASE CONSULT DKS REPRESENTATIVES.



DKS DOOR LABOR CHARGES

ALL PRICES ARE NET

ITEM NO	DESCRIPTION	NET PRICE
LDRETRO	Retrofit Modifications (Per Hinge Cut-Out)	\$25
LDWIDTH	Cut Door on the Width	75
LDMAGHOLD-1	Add Magnetic Hold Open Arm (price may vary per template)	28
LDMAGHOLD-2		60
LDMAGHOLD-3		100

4. Miscellaneous Items		
LD-LBR	Labor Charges (per hour)	65
LD-INVERT-DC	Invert Top Channel	25
LDER	Electric Raceway, with Conduit	75
LDVR	Electric Raceway, Vacant Hole	25
LDOBSP	Open Back Strike Prep (Specify Handing)	25
LDRCO	Round Cut-Out Only on Door (12" Diameter)	48
LDDDS21	Install Dutch Door Shelf (DDS-21 not included)	20
LDOPTIC	Optic Scope Prep	28
LDMARK-DOORS	Mark Doors with Door #s	1

ITEM NO	DESCRIPTION	NET PRICE
5. Labels (Mylar/Metal)		
LDMY-S	S Label	\$6
LDMY-20	20 Minute Label	9
LDMY-90	90 Minute Label	9
LDMY-45	45 Minute Label	9
LDMY-60	60 Minute Label	9
LDMY-3HR	3 Hour Label	9
LDMT	<u>Metal Fire Labels</u> available upon request. Add:	15

6. Factory Applied Finish Paint		
LD-PAINT	Door Size: 3070 Other sizes available on request. Price is for reference only on 3070 door. Contact factory for larger sizes. Minimum quantity 50 of same color	36

DOOR LABOR CHARGES ARE SUBJECT TO CHANGE WITHOUT PRIOR NOTICE. LISTED CHARGES ARE REGULAR BUT MAY VARY DEPENDING ON THE SCOPE OF THE JOB REQUESTED. ALL TEMPLATES ARE SUBJECT FOR REVIEW. PLEASE CONSULT DKS REPRESENTATIVES.



DKS FRAME LABOR CHARGES

ALL PRICES ARE NET

Additional Frame Preparations		
ITEM NO	DESCRIPTION	NET PRICE
1. Assembled Welded Frames		
LFWF-S	Single Opening	\$18
LFWF-P	Paired Opening	25
LFCONTWELD	Continuous Weld (add to above)	6
2. Anchors Welded In		
	A. Wood/Steel Stud	
LFWELDWS-S	Single Frame (6)	13
LFWELDWS-P	Paired Frame (8)	17
LFWELD-ANC	Per Anchor Charge	4
LFPD	B. P&D on Frame (Includes Prep and Tube Anchor, Dynabolts or Wood Lags)	28
LFPDEXP	C. P&D on Expandable Frame (with Dynabolts or Wood Lags)	40
3. Closer Reinforcement (Regular or Parallel)		
LFCR-S	Single Frame	8
LFCR-P	Paired Frame	12
LFCREXP-S	Expandable, Single Frame	25
LFCREXP-P	Expandable, Paired Frame	30
4. Special Width on Header (Masonry/Drywall Frame)		
LFCRHD	Special Width on Header	15
LFCRHD-EXP	Special Width on Header, Expandable	30
5. Eliason Prep, Weld CR01 on Frame (CR01 not included)		
LF-ELIASON-S	for Eliason Single Frame	8
LF-ELIASON-P	for Eliason Paired Frame	12

ITEM NO	DESCRIPTION	NET PRICE
6. Prep Frame for Continuous Hinge (Cost of Flat Astragal included)		
LFCONTAST-S1	6'8", Single Frame	43
LFCONTAST-S2	7'0", Single Frame	45
LFCONTAST-S3	8'0", Single Frame	48
LFCONTAST-P1	6'8", Paired Frame	62
LFCONTAST-P2	7'0", Paired Frame	65
LFCONTAST-P3	8'0", Paired Frame	71
7. Door Coordinator Reinforcement		
LFRDC-S	Single Frame	14
LFRDC-P	Paired Frame	26
8. Modification Rates		
LFRFA	Reverse Floor Anchors	12
LFFBF	Flush Bolt Preparation on Header	12
LFBOS	Blank Out Strike	15
LFRPP	Rim Panic Prep (Reinforce for Surface Mounted)	12
LFRPP-EXP	Rim Panic Prep on Expandable Frames	30
LFDPOF	Deadbolt Strike Prep on Frame	12
LFDPOF-EXP	Deadbolt Strike Prep on Expandable Frame	30
LFCMTD-1	Convert Masonry to Drywall up to 7.75"	25
LFCMTD-2	Convert Masonry to Drywall wider than 7.75" Depth	55
LFMARKBUNDLE	Mark and Bundle KD Frames (Per Frame)	6

FRAME LABOR CHARGES ARE SUBJECT TO CHANGE WITHOUT PRIOR NOTICE. LISTED CHARGES ARE REGULAR BUT MAY VARY DEPENDING ON THE SCOPE OF THE JOB REQUESTED. ALL TEMPLATES ARE SUBJECT FOR REVIEW. PLEASE CONSULT DKS REPRESENTATIVES.



DKS FRAME LABOR CHARGES

ALL PRICES ARE NET

ITEM NO	DESCRIPTION	NET PRICE
LC1	Crating Fee (price may vary per hour spent)	\$25
LC2		50
LC3		75
LC4		100
LFCOC	Concealed Overhead Closer (Channel not included)	20
LFCOS	Concealed Overhead Stop (Channel not included)	55
LF-UC	Jamb Undercut, Drywall/Masonry (Per Side)	16
LF-UC-EXP	Jamb Undercut, Expandable Frame (Per Side)	17
LF-ASA	ASA Strike Prep	15
LF-TS	T-Strike Prep	26
LF-ESP	Electric Strike Prep	44
LF-EHP	Electric Hinge Prep (price won't apply if with Mortar Box)	25
LF-HP	Hinge Prep (per hinge)	17
LF-ROLL	Roller Latch Prep	36
LFCVR	CVR Head Prep	28
LFSVR	SVR Head Prep	14
LF-EPT	EPT (Frame)	70
LF-BALL-HD	Ball Catch Prep on Head	8
LF-BALL	Ball Catch Prep	23
LF-MAG	MAG Lock Reinforcement	14
LFRMUL	Reinforce Header for Removable Mullion	14
LFCNSTIF	Prep Frame for Concealed Stiffeners	22
LFSET-EXP	Prep Frame: Set up Jamb Depth on Expandable Frame & Spot Weld	13
LF-DRIP	Drip Cap Welded on Frame Head	14
LF-SHR-S	Reinforce for Surface Hinges, Single	20
LF-SHR-P	Reinforce for Surface Hinges, Pair	40
LF-CTRSUNK	Countersunk Face/Base Screw Holes (per each)	2.50

DKS SHOP ADDITIONAL SERVICES NET PRICES

Fabrication Labor Charges, Windows, Transom, & Sidelites		
ITEM NO	CUT & NOTCH for FABRICATION	NET PRICE
LF-MJPE	Miter Joint Per End	\$12
LF-NOJPE	Notch Joint Per End	16

Welding Charge per Joint or Unit		
ITEM NO	WELDING CHARGE PER JOINT or UNIT	NET PRICE
LF-LJTJ	L or T Type Joint	17
LF-CROSSJ	Cross (+) Type Joint	21
LF-4IS	4 Inch Sill	18
LF-AWI	Anchor Welded In Per Each	6

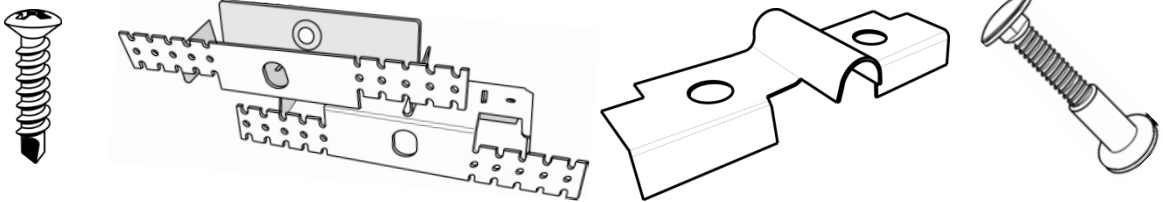
Labels (Mylar/Metal)		
ITEM NO	DESCRIPTION	NET PRICE
LFMY-S	S Label	6
LFMY-20	20 Minute Label	9
LFMY-90	90 Minute Label	9
LFMY-45	45 Minute Label	9
LFMY-60	60 Minute Label	9
LFMY-3HR	3 Hour Label	9
LFMT	<u>Metal Fire Labels</u> available upon request. Add:	15

Factory Applied Paint Finish		
LF-PAINT	5000 Series Drywall Frames Only Frame size:3070 Other sizes available on request. Price is for reference only on 3070 frame. Contact factory for larger sizes. Minimum quantity 50 of same color	36

FRAME LABOR CHARGES ARE SUBJECT TO CHANGE WITHOUT PRIOR NOTICE. LISTED CHARGES ARE REGULAR BUT MAY VARY DEPENDING ON THE SCOPE OF THE JOB REQUESTED. ALL TEMPLATES ARE SUBJECT FOR REVIEW. PLEASE CONSULT DKS REPRESENTATIVES.

DKS

ACCESSORIES



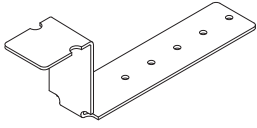
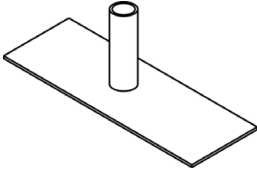
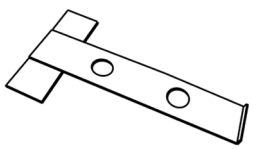
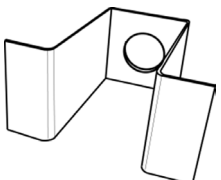
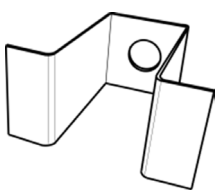
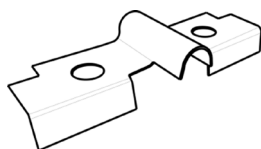
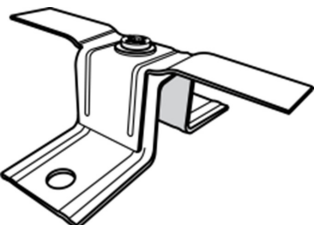
**LIST PRICES
APRIL 2024**



TABLE OF CONTENTS	
ITEM / DESCRIPTION	PAGE NO.
Anchors	A1-A4
Hardware Reinforcement	A5-A9
Filler Plates	A9-A10
Box Receptacles	A10-A11
Screws	A11-A12
Miscellaneous	A12-A15
Astragals	A16

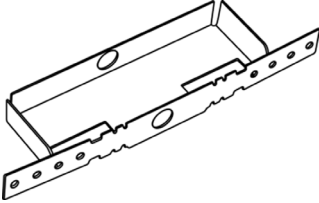
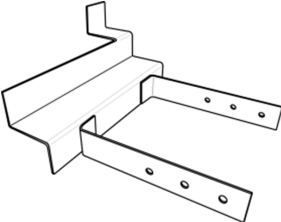
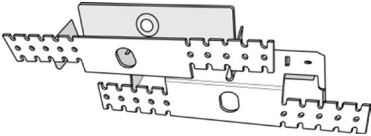
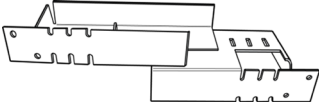
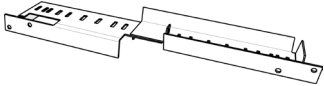


DKS ACCESSORIES PRICE LIST

ILLUSTRATION	ITEM#	DESCRIPTION	MASTER QTY	LIST PRICE EACH
ANCHORS				
	SAC-5	Strap Anchor Dimensions: 1"W x 1 1/2"H x 5"L Five 3/16" Nailing Holes Thickness: 18 Ga. Finish: Dichromate Plating	400	\$2.00
	MAS575-4 for 5 3/4" Unequal Rabbet		200	3.76
	MAS625-6 for 6 1/4" Unequal Rabbet			3.99
	MAS675-3 for 6 3/4" Unequal Rabbet	Masonry Tube Anchor 3/4" EMT Tubing 2" Strap Width Thickness: 16 Ga Finish: USP	100	4.22
	MAS775-2 for 7 3/4" Unequal Rabbet			4.44
	MAS825-5 for 8 1/4" Unequal Rabbet			4.68
	MAS875-1 for 8 3/4" Unequal Rabbet			4.91
	TANC5581 for 5 3/4" Frame	Masonry Tee Anchor		9.99
	TANC6584 for 6 3/4" Frame	1" Round Holes 1/4" Locking Flange	100	11.25
	TANC7583 for 7 3/4" Frame	Thickness: 16 Ga. Finish: Mill Finish		12.52
	TANC8582 for 8 3/4" Frame			13.78
	EX-BOLT	Expansion Bolt Anchor 1" Dia. Hole Finish: Mill Finish	1	7.10
	EX-BOLT-58	Expansion Bolt Anchor 5/8" Dia. Hole Finish: Mill Finish	1	5.81
	EMA-634	Existing Masonry Anchor for 4 3/4" - 6 3/4" Frames Best for existing wall applications Finish: Mill Finish	100	2.02
	PRECLAM-8	Drywall Compression Anchor 1/4" - 20 x 1" Machine Screw Finish: Mill Finish	100	5.11



DKS ACCESSORIES PRICE LIST

ILLUSTRATION	ITEM#	DESCRIPTION	MASTER QTY	LIST PRICE EACH
	WS475 for 4 3/4" Frame		400	\$5.69
	WS575 for 5 3/4" Frame		300	5.69
	WS625 for 6 1/4" Frame			
	WS675 for 6 3/4" Frame		200	6.45
	WS7125 for 7 1/8" Frame			
	WS775 for 7 3/4" Frame			
	WS825 for 8 1/4" Frame	Wood Stud Anchor, Welded Type Thickness: 18 Ga. Finish: Mill Finish	200	6.96
	WS875 for 8 3/4" Frame			
	WS925 for 9 1/4" Frame			7.58
	WS95 for 9 1/2" Frame		150	8.09
WS975 for 9 3/4" Frame			8.59	
WS1025 for 10 1/4" Frame			9.60	
WS1075 for 10 3/4" Frame		100	10.11	
	MP-SA-15	Multi-Purpose Stud Anchor for Double Egress Frame Fits standard double egress sizes Finish: Mill Finish	1	17.06
	MP-AA-10	Multi- Purpose Adjustable Anchor Can be used as a single 8 3/4" wood / metal stud or complete opening anchor. A single part can be used as 5 3/4" anchor. Finish: USP	25 PAIRS	5.44
				SOLD PER PAIR ONLY PRICED EACH
	HDADWA	Heavy Duty Adjustable Drywall Anchor Thickness: 18 Ga. Fits frame sizes: 5 3/4" to 8 3/4" Finish: USP	50 PAIRS	5.05
				SOLD PER PAIR ONLY PRICED EACH
	LADWA-11	Large Adjustable Drywall Anchor Thickness: 18 Ga. Fits frame sizes: 7" to 12" Anchor marked with different frame sizes Finish: USP	50 PAIRS	4.04
				SOLD PER PAIR ONLY PRICED EACH

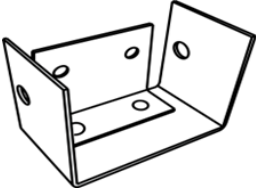
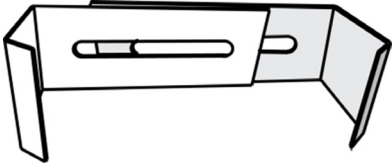
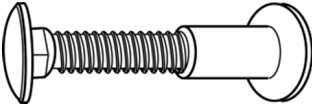
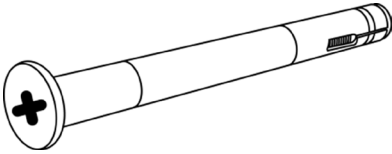
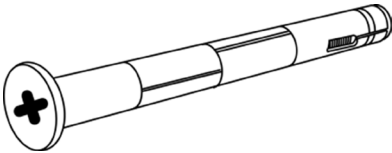
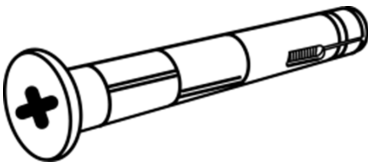
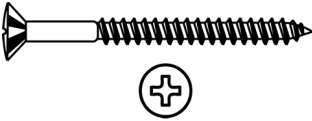




DKS ACCESSORIES PRICE LIST

ILLUSTRATION	ITEM#	DESCRIPTION	MASTER QTY	LIST PRICE EACH
	ADWA-12	Adjustable Drywall Anchors (2 per set) For 4 3/4" to 6 3/4" frames Finish: USP	50 PAIRS	\$2.61
SOLD PER PAIR ONLY PRICED EACH				
	MAS01	Wire Masonry Anchor	400	2.50
	SS575 for 5 3/4" Frame	Steel Stud Anchor Welded Type Thickness: 18 Ga. Finish:	500	3.29
	SS775 for 7 3/4" Frame			4.72
	SS825 for 8 1/4" Frame			6.85
	SFA-834	Sidelite Floor Anchor Fits frame size 5 3/4" Finish: USP	100	3.03
	AFANC-22	Adjustable Floor Anchor Thickness: 16 Ga. Finish: Mill Finish	1	14.91
	FA-L	Large Floor Anchor from 7 3/4" to 9 3/4" Thickness: 18 Ga. Finish: USP	200	3.29
	FA-S	Small Floor Anchor from 4 3/4" to 6 3/4" Thickness: 18 Ga. Finish: USP	200	3.03
	FA-HD	Heavy Duty Floor Anchor Dimensions: 5 1/4"W x 2 3/8"H Finish: USP	100	6.32

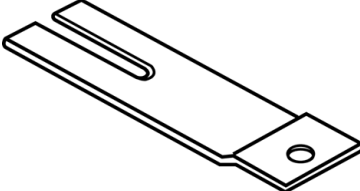
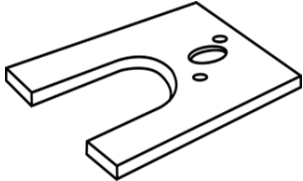
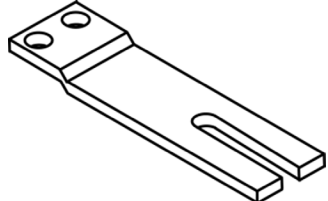
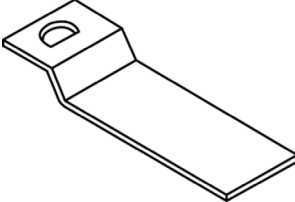
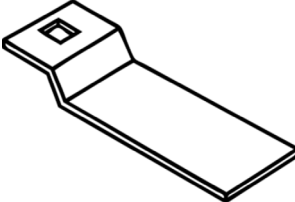
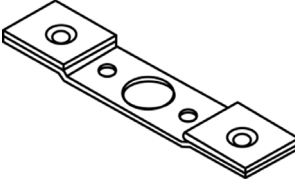
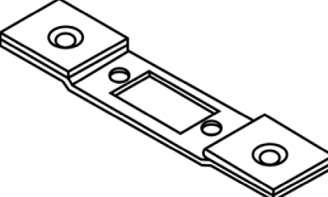


DKS ACCESSORIES PRICE LIST

ILLUSTRATION	ITEM#	DESCRIPTION	MASTER QTY	LIST PRICE EACH
	RMC-13	Removable Mullion Clip Finish: Mill Finish	100	\$4.18
	AMBA-14	Adjustable Mullion Base Anchor Fits frames from 4 3/4" to 8 3/4" (2 pieces per set) Finish: Mill Finish	100	4.18 / set
	TB-14	Thru-Bolt 1/4" Dia. for doors 1 3/4" or less. Best used for latch protectors, door savers, louvers, etc... Finish: Mill Finish	500	7.58
	DY-5	Stud Dynabolt Anchor 5" Long x 3/8" Dia. Finish: Zinc Plated	400 (100 inner box)	7.58
	SBA-438	Stud Bolt Anchor 4" Long x 3/8" Dia. Finish: Zinc Plated	300	6.82
	SBA-382	Stud Bolt Anchor 3" Long x 3/8" Dia. Finish: Zinc Plated	300	4.55
	WSA-4	Wood Lag Screws 4" Long x 3/8" Dia. Finish: Mill Finish	300	6.32
	WD-6	Wood Lag Screws 6" Long x 3/8" Dia. Finish: Zinc Plated	400 (100 inner box)	8.22
	PPB-16	3/4" Plastic Plug Button	1000	1.52

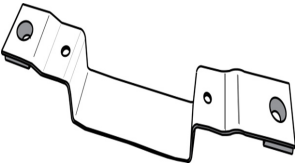
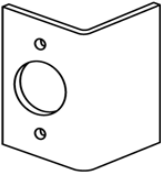
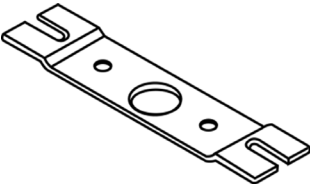
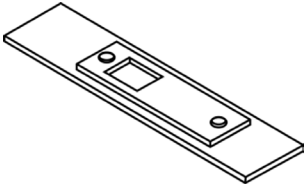
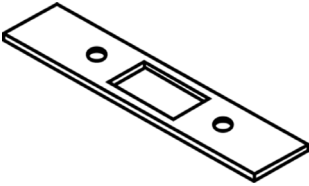
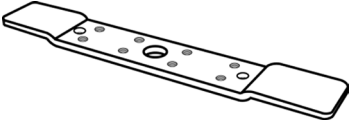
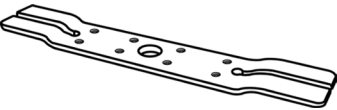
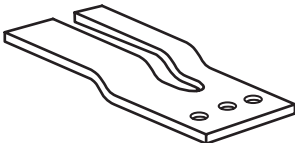


DKS ACCESSORIES PRICE LIST

ILLUSTRATION	ITEM#	DESCRIPTION	MASTER QTY	LIST PRICE EACH
HARDWARE REINFORCEMENT				
	ASATAB-7	4 7/8" Strike Reinforcement, Split Tail Dimensions: 1" x 2 1/2" Tab 3/32" Offset 12-24 Tap Thickness: 11 Ga. Finish: USP	750	\$3.21
	EDG-9	Exit Device Guide Dimensions: 1 3/8" x 2" 2 Holes 8-32 Tap Thickness: 10 Ga. Finish: Mill Finish	200	5.05
	FBTAB-6	Flush Bolt Tabs, Split Tail Dimensions: 1" x 2 1/2" 3/32" Offset 8-32 Tap 1/2" C/L for 1" Body Thickness: 11 Ga. Finish: USP	750	3.21
	FBGID-4	Flush Bolt Guide 5/16" Offset 1/2" D-Hole For Door Top & Bottom Thickness: 12 Ga. Finish: USP	200	4.02
	FBGIS-3	Flush Bolt Guide 5/16" Offset 1/2" Square-Hole For Door Top & Bottom Thickness: 12 Ga. Finish: Mill Finish	200	3.21
	MLCYL-3	Conversion Assembly Mortise Lock to Cylindrical Lock Dimensions: 1 1/4" x 8" 3/8" Off Center Face Plate: 1 1/8" x 2 1/4" Thickness: 12 Ga. Finish: Dichromate Plating	100	27.17
	MLASA-4	Conversion Assembly Mortise Lock to 4 7/8" Strike Dimensions: 1 1/4" x 8" 3/8" Off Center Face Plate: 1 1/8" x 2 1/4" Thickness: 12 Ga. Finish: Dichromate Plating	100	27.17


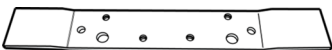
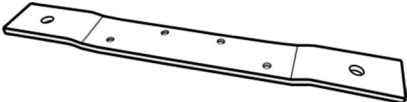

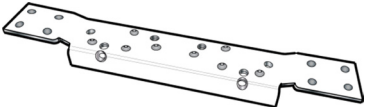
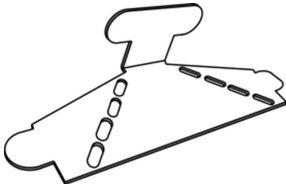

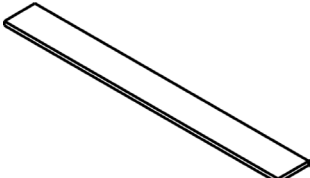


DKS ACCESSORIES PRICE LIST

ILLUSTRATION	ITEM#	DESCRIPTION	MASTER QTY	LIST PRICE EACH
	CFP-34	86 to ASA Conversion Filler Plate Converts 86 edge to ASA strike Finish: Mill Finish	150	\$18.33
	DBCONV-2	Dead Lock Reinforcement Plate for 1 3/4" Doors Dimensions: 2 3/16" x 1 3/8" x 1 9/16" Thickness: 14 Ga. Finish: Mill Finish	100	7.94
	DBLAT-1	Cylindrical Lock – Dead Lock, Split Tail Dimensions: 1 1/4" x 4 1/2" 3/32" Offset 1" Hole 8-32 Tap Thickness: 12 Ga. Finish: USP	300	7.33
	FLUSHSTRK-2	Reversible Flush Bolt Strike with Backing Plate Dimensions: 1 1/8" x 3 3/4" 3/32" Offset 8-32 Tap Thickness: 16 Ga. Finish: Dichromate Plating	200	15.88
	TSTRK-2	2 3/4" Strike Reinforcement (for frame and door) Dimensions: 1" x 2 1/2" 7/8" x 1 1/4" Hole 8-32 Tap Thickness: 12 Ga. Finish: Dichromate Plating	200	4.02
	FRHR-1	4 1/2" Frame Hinge Reinforcement Use: 4 1/2" hinges Dimensions: 3/16" x 1 1/4" x 8" Thickness: 10 Ga.	250	7.58
	DHRF-825	4 1/2" Door Hinge Reinforcement, Split Tail Use: 4 1/2" hinges Dimensions: 3/16" x 1 1/4" x 8" Thickness: 10 Ga.	250	7.58
	GTAB-13	EPT Reinforcement Plate Dimensions: 2" x 1 1/8" Split Tail 3/16" Offset, 3mm thick 10-24 Thread Finish: USP	500	4.80

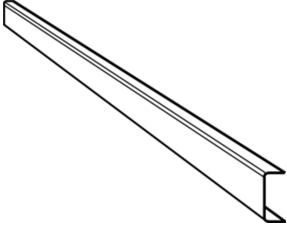
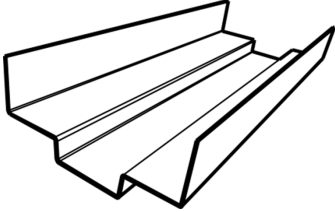
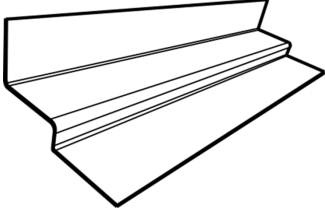
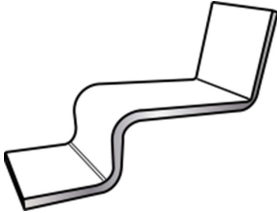
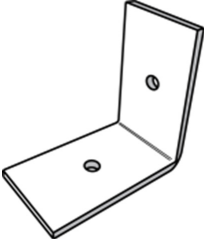
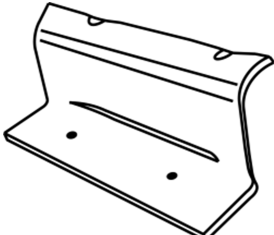


DKS ACCESSORIES PRICE LIST

ILLUSTRATION	ITEM#	DESCRIPTION	MASTER QTY	LIST PRICE EACH
	HSADJ-516	Slotted Screws for non-handed adjustment on hinge reinforcement Size: 12-24 thread Length: 5/16" Qty: 1 pc	1000	\$0.45
	HR-U	Universal Hinge Reinforcement for both doors and frames Use: 4 1/2" hinges Dimensions: 1 1/4" x 8 3/4" Thickness: 10 Ga. Finish: Mill Finish	80	6.32
	HR-HD50	Heavy Duty Hinge Reinforcement Use: 5" hinges Dimensions: 1 1/4" x 10" Thickness: 7 Ga. Finish: Mill Finish	25	6.96
	HR-HD45	Heavy Duty Hinge Reinforcement Use: 4 1/2" hinges Dimensions: 1 1/4" x 10" Thickness: 7 Ga. Finish: Mill Finish	200	6.57
	DHR-29	Convertible Hi-Frequency Door Hinge Reinforcement to be used for both doors and frames Use: 4 1/2" hinges Dimensions: 1 1/4" x 8 3/4" Thickness: 10 Ga. Finish: Mill Finish	80	6.32
	CBRKT-26	Corner Bracket Frames Finish: Mill Finish	250	2.15
	C-BRKTL (Left) C-BRKTR (Right)	Handed Corner Bracket / Frame For LH or RH Finish: Mill Finish	200	2.41
	CRO1	Closer Reinforcement Dimensions: 1 3/4" x 14" Thickness: 12 Ga. Finish: Mill Finish	50	7.58



DKS ACCESSORIES PRICE LIST

ILLUSTRATION	ITEM#	DESCRIPTION	MARTER QTY	LIST PRICE EACH
	DC-8	C Channel Door / Framing channel for reinforcing steel doors in listed glass frame Sold in lengths of 8' and can be cut to size Dimensions: 1 3/4" x 3/4" x 3/4" x 8' Thickness: 0.053 in. (16 gauge)	10	\$58.13
	CRFP-30	Full Profile Closer Reinforcement 14" Long for 5 3/4" frame depth Finish: Mill Finish	20	21.36
	CRHP-31	Half Profile Closer Reinforcement for unequal rabbet 14" long Finish: Mill Finish	20	17.06
	RCLIP-32	Reinforcing Clip High frequency clip Finish: Finish	100	3.67
	MCLIP-33	Mounting Clip for transom panel Finish: Mill Finish	200	2.53
	M-BRKT	Mullion Bracket Finish: Mill Finish	500	2.15



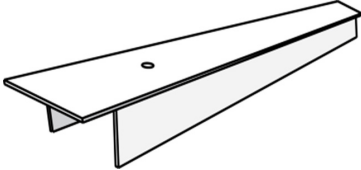


DKS ACCESSORIES PRICE LIST

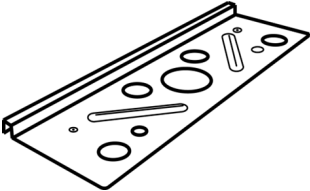
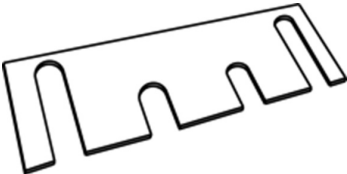
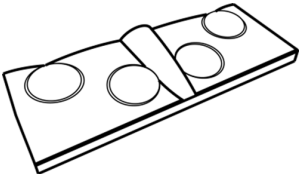
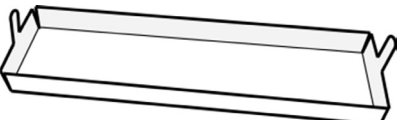
ILLUSTRATION	ITEM#	DESCRIPTION	MASTER QTY	LIST PRICE EACH
	FBDG-LR	Flush Bolt Door Guide (Reversible) 4 x 8-32 Thread Finish: USP	150	\$3.54
	FBDG-LH (Left) FBDG-RH (Right)	Handed Flush Bolt Door Guide 4 x 8-32 Thread Finish: Mill Finish (Left) USP (Right)	100	5.44
FILLER PLATES				
	LFF-DKS	161 Cylindrical Lock Edge / Dead Bolt Prep Filler Machined C.S. Holes Use: for doors Dimensions: 1 1/8" x 2 1/4" Thickness: 11 Ga. Finish: Zinc Plated	500	4.02
	DBFIL-5	Deadbolt Strike Filler for Frames Machined C.S. Holes Use: for frames Dimensions: 1 1/8" x 2 3/4" Thickness: 10 Ga. Finish: Zinc Plated	750	4.02
	SF-DKS	Strike Filler Use: for frames Dimensions: 1 1/4" x 4 7/8" 1 5/8" at Lip Thickness: 11 Ga. Finish: Zinc Plated	150	5.36
	ASA-FP-DKS	ASA Blank Filler Plate Use: for frames Dimensions: 1 1/4" x 4 7/8" Finish: USP	100	2.78
	MLF86-1	86 Mortise Lock Edge Filler Machined C.S. Holes Use: for foors Dimensions: 1 1/4" x 8" Thickness: 16 Ga. Finish: Dichromate Plating	50	8.03
	HB-FP	Hinge Blank Filler Plate Use: for doors 4 1/2" hinges Finish: Mill Finish	100	5.81
	HFPLT	Hinge Filler Plate Use: for doors and frames 4 1/2" hinges Finish: USP	100	5.81



DKS ACCESSORIES PRICE LIST

ILLUSTRATION	ITEM#	DESCRIPTION	MASTER QTY	LIST PRICE EACH
	161CP	Cylindrical Lock Cover Plate Used for covering 2 1/8" diameter 161 hole Finish: Dichromate Plating	100	\$7.08
	CLFC-78	Cylindrical Lock Face Cover Thickness: 18 Ga. Finish:	1000	2.93
Screw-In Steel Top Cap				
	TCAP-36	Dimensions: 1 3/4"W x 1 5/8"H x 35 3/4"L Thickness: 20 Ga. Finish: USP	500	34.38
	TCAP-80	Dimensions: 1 3/4"W x 1 5/8"H x 80"L Can be cut to desired length. Specify length on order. Any fraction of a foot is considered a foot. Finish: Mill Finish	150	16.43 / foot

BOX RECEPTACLES

	HINGE SHIM-93	4" Hinge Shim Reversible	1000	2.53
	HINGE SHIM-94	4 1/2" Hinge Shim Reversible		
	HSHIMS-B	Hinge Shims Thickness: 16 Ga. for 4 1/2" template butts Finish: USP	300	2.02
	FHRPC-27	Frame Hinge Reinforcement Plate Cover Finish: Mill Finish	500	2.15
	DMB-28	Dust Mortar Box for 4 1/2" hinge reinforcement Finish: Mill Finish	100	2.02



DKS ACCESSORIES PRICE LIST



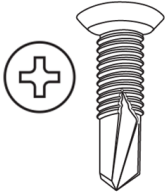
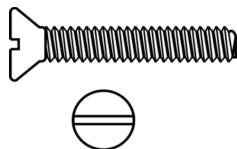
ILLUSTRATION	ITEM#	DESCRIPTION	MASTER QTY	LIST PRICE EACH
	DBOX-638	Dust Box, 14 Gauge Dimensions (Inner Box): Length: 3 5/8" Width: 1 3/8" Height: 1 3/16" Total Length: 6 3/8" Finish: USP	100	\$4.19
	FBSBOX-36	Flush Bolt Strike Box Finish: Mill Finish	1	3.42
	EMB-24	Electric Mortar Box Standard 7" Steel Finish: Mill Finish	50	29.95
	AFB-CAP	Automatic Flushbolt Cap Finish: Mill Finish	200	6.32

SCREWS

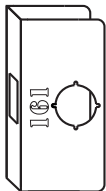
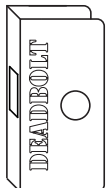
	KPS-17	Kick Plate Screw Length: 1/4" Head: Phillips, Oval head Type: Metal Screw Finish: US26D	100	27.23 per hundred
	ST-610	#6 TEK 1" Self-Tapping Screw Length: 1" Head: Phillips, Oval head Type: Self-Drilling, Self-Tapping Finish: US26D	100	11.34 per hundred
	ST8-114	#8 TEK 1 1/4" Self-Tapping Screw Length: 1 1/4" Head: Phillips, Oval head Type: Self-Drilling, Self-Tapping Finish: Zinc Plated	100	11.34 per hundred



DKS ACCESSORIES PRICE LIST

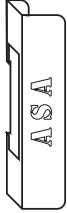
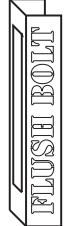
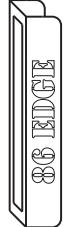
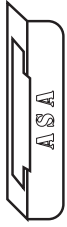
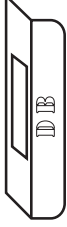
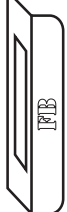
ILLUSTRATION	ITEM#	DESCRIPTION	MASTER QTY	LIST PRICE EACH
	ST-615	#6 TEK 1/2" Self-Tapping Screw Length: 1/2" Head: Phillips, Oval head Type: Self-Drilling, Self-Tapping Finish: US26D	100	\$11.34 per hundred
	MS-832	3/32" Machine Screw Length: 8-32 Thread Head: Phillips, Undercut – Flat head Type: Machine screw Finish: US26D	100	34.13 per hundred
	ST-MS1224	12-24 Screw Length: 12-24 Thread Head: Phillips, Undercut – Flat head Finish: US26D	100	34.13 per hundred
	MS2FH	Machine Screw 2" Flat Head Length: 2", 1/4" Thread Head: Flat head Type: Machine screw Finish: US26D	100	34.13 per hundred

MISCELLANEOUS

	DORT-161	161 Door Template Create a quick and precise 2 1/8" bore and latch prep using this template	1	136.50
	DORT-DB	Door Deadbolt Template Create a quick and precise 1 1/2" bore and latch prep using this template	1	136.50


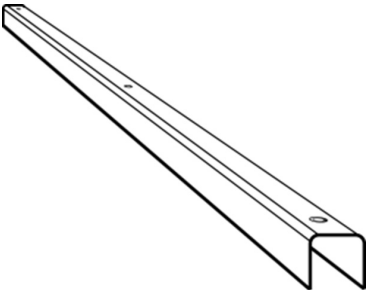
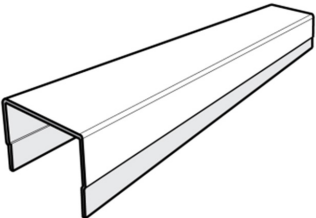
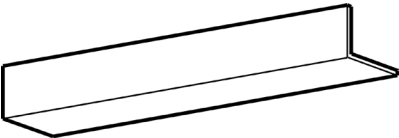



DKS ACCESSORIES PRICE LIST

ILLUSTRATION	ITEM#	DESCRIPTION	MASTER QTY	LIST PRICE EACH
	DORT-ASA	Door ASA Template Create a quick and precise 4 3/8" ASA cut-out on a door using this template	1	\$136.50
	DORT-FBLT	Door Flush Bolt Template Create a quick and precise 1" x 6 3/4" flush bolt cut-out on an inactive door using this template	1	136.50
	DORT-86	86 Edge Template Create a quick and precise 8" Mortise lock cut-out on a door using this template	1	136.50
	FRMT-ASA	Frame ASA Template Create a quick and precise ASA cut-out on a frame using this template	1	136.50
	FRMT-DB	Frame Deadbolt Template Create a quick and precise deadbolt cut-out on a frame using this template	1	136.50
	FRMT-FBLT	Frame Flush Bolt Template Used to make accurate flush bolt cut-outs on a frame	1	136.50

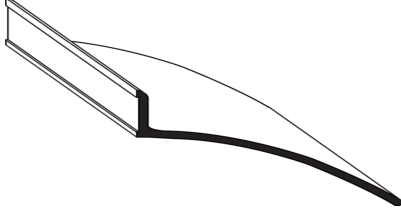
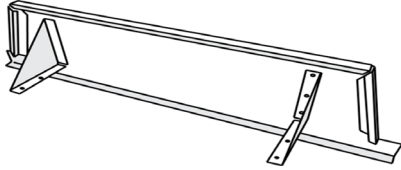
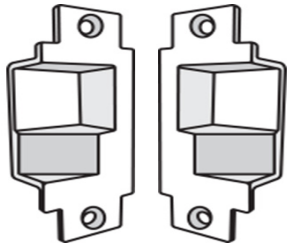
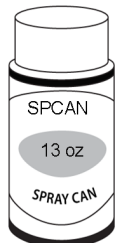



DKS ACCESSORIES PRICE LIST

ILLUSTRATION	ITEM#	DESCRIPTION	MASTER QTY	LIST PRICE EACH
	HT412	Hinge Template 4 1/2" Create a quick and precise 4 1/2" hinge cut-out on a frame using this template	1	\$136.50
	GS-22	Glass Stop Holes drilled at 7" centers Dimensions: 5/8" x 5/8" x 10' Packed with TEK screws Finish: Zinc Plated	15	24.61
	DREXT-18	Door Extender Thickness: 16 Ga. Finish: Mill Aluminum Dimensions: 1 3/4" W x 1 3/8" H x 36" L	10	125.11
	DREXT-710	Dimensions: 1 3/4" W x 1 3/8" H x 94" L	5	176.94
	SB36	Spreader Bar Thickness: 16 Ga. Dimensions: 3/4" W x 3/4" H x 36" L		6.32
	SB48	Dimensions: 3/4" W x 3/4" H x 48" L	1	8.59
	SB72	Dimensions: 3/4" W x 3/4" H x 72" L		12.64
	DSM21-DKS	Door Silencer Dimensions: 1/2" Dia. x 1 1/16" Length Use: for Metal Frames	200 per bag	21.48 per hundred



DKS ACCESSORIES PRICE LIST

ILLUSTRATION	ITEM#	DESCRIPTION	MASTER QTY	LIST PRICE EACH
	CR44640	Door Frame Drip Cap Length: 40" Thickness: 18 Ga. Finish: Mill Aluminum	50	\$23.38
	DDS-21	Dutch Door Shelf Finish: Mill Aluminum	50	386.74
	OBSTRK-LH-DKS (left hand) OBSTRK-RH-DKS (right hand)	Handed Open Back Strike Finish: US32D	1	60.66
	SPCAN-13	Prime Coat Spray Can TOUCH-UP Primer For use with metal surfaces 2 in 1 Paint & Primer Color: Gray Quick Drying Container Type: Aerosol can 400ml (13.5 oz)	1	18.89
	POLYP-2	Polyester Putty Ideal for steel, aluminum, galvanized and other zinc coated metals and a variety of substrates. Includes Hardener 2Kg (4.4lbs., 70.5 oz.)	1	77.88



DKS ACCESSORIES PRICE LIST

ILLUSTRATION	ITEM#	DESCRIPTION	MASTER QTY	LIST PRICE EACH
--------------	-------	-------------	------------	-----------------

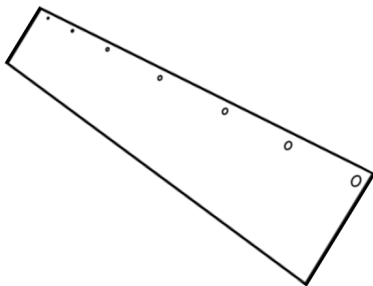
ASTRAGALS



Wrap-Around Astragal
 Length: 6'8", 7'0" and 8'0"
 Thickness: 16 Ga.
 Finish: USP

ZAST68	6'8" Non-Handed	5	\$61.92
ZAST70L ZAST70R	7'0" Left Hand 7'0" Right Hand	5	63.57
ZAST80L ZAST80R	8'0" Left Hand 8'0" Right HandD19	5	99.84
ZAST68L CE ZAST68R CE ZAST68L CU ZAST68R CU ZAST68 REP	6'8" Left Hand CECO location 6'8" Right Hand CECO location 6'8" Left Hand CURRIES location 6'8" Right Hand CURRIES location 6'8" REPUBLIC location	5	63.57
ZAST70L CE ZAST70R CE	7'0" Left Hand CECO location 7'0" Right Hand CECO location	5	63.57
ZAST70L CU ZAST70R CU	7'0" Left Hand CURRIES location 7'0" Right Hand CURRIES location	5	63.57
ZAST70L REP ZAST70R REP	7'0" Left Hand REPUBLIC location 7'0" Right Hand REPUBLIC location	5	63.57

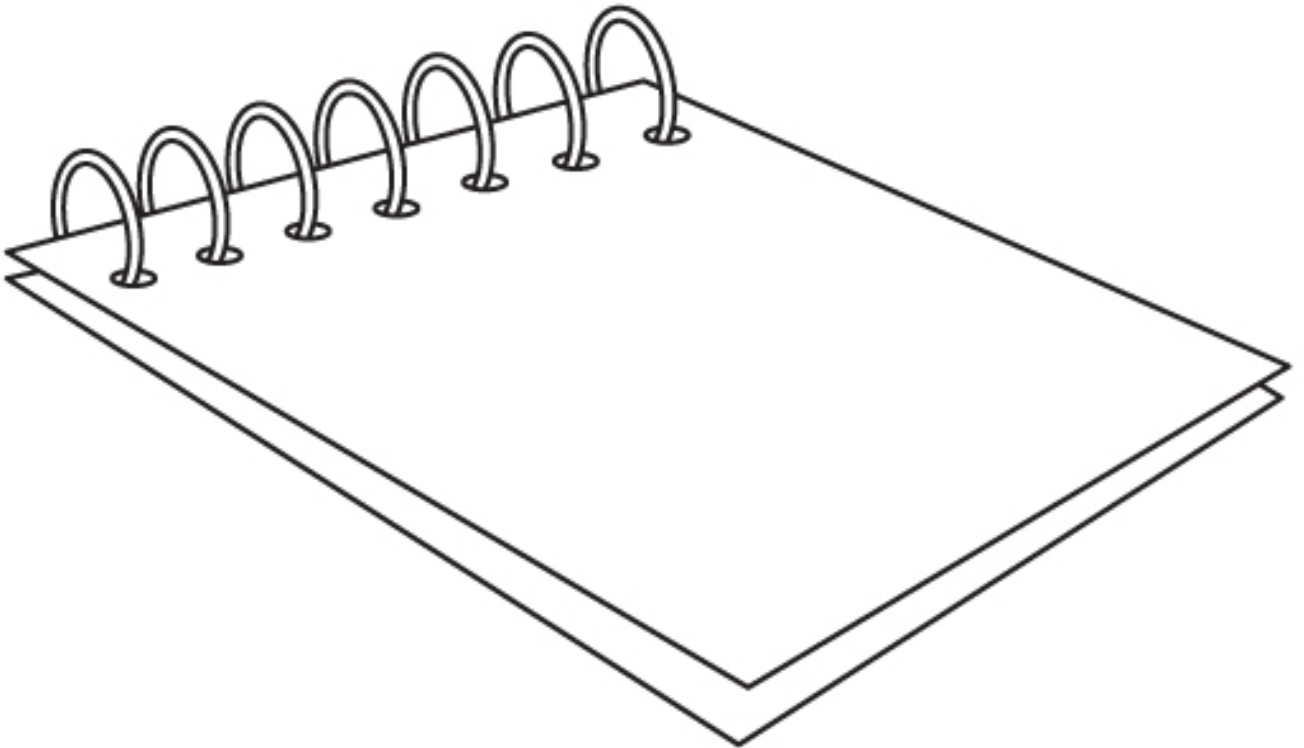
Flat Astragal
 Dimensions: 1/8" thick x 2" wide



AST68	6'8"	10	54.58
AST70	7'0"	10	59.00
AST80	8'0"	10	68.07

DKS

MANUFACTURING SPECIFICATIONS





DKS Customers
Interested Parties
State and Local Authorities

Subject: DKS Steel Door and Frames Systems, Inc., ITS / Warnock Hersey Procedural Specification, Certification, and Inspection.

All DKS products are built to specification under Intertek / Warnock Hersey procedural report and manufacturing standard No. 3053378 and as amended November 29, 2004 and June 30, 2006. Materials comply to UL 10 (b) and (c), UBC 7-2 (1997) Part 1, NFPA 252, CAN/ULC S104, ASTM E2074-00 and is in compliance with ANSI 250.4 and ANSI 250.8.

DKS product meets or exceeds all SDI standards and is an affiliate member in good standing of HMMA (Hollow Metal Manufacturers Association) Division of NAAMM (National Association of Architectural Metal Manufacturers).

DKS products are certified by the WHI mark including: Positive Pressure (S) Smoke, and 20 minute to 3 hour fire ratings up to a maximum size of 8'0 X 8'0 in pair applications at 3 hours with polystyrene or honeycomb cores. Available gauges are 16, 18, and 20 gauge cold rolled or A40 hot dipped galvanized materials. The complete list of products and shop services are available from our Commerce, California Warehouse and Distribution facility.

Attached is our "Door Installation" usage guide for all category type "A" doors.

Thank You

DKS Steel Door and Frame Products, Inc.
2142 Tubeway Avenue
Commerce, California 90040-1614

THIS PAGE INTENTIONALLY LEFT BLANK

DKS STEEL DOORS CATEGORY “A”

INTERTEK TESTING SERVICES LISTING REPORT NO. 3053378

DKS STEEL DOOR AND FRAME SYSTEMS, INC.

DOOR INSTALLATION INSTRUCTIONS

Doors described in this procedure meet the requirements for both positive and neutral pressure fire tests, UL10 (c), UBC 7-2 (1997) PART 1, NFPA 252, ASTM EO274-00.

This includes the DKS Series 6000, 9000, 1000, 1100, 1200, 1300, 1400, 1600, 1700, 1800, 1900 and 2000 Series doors as published. These doors are category “A” doors (no additional edge sealing system is required).

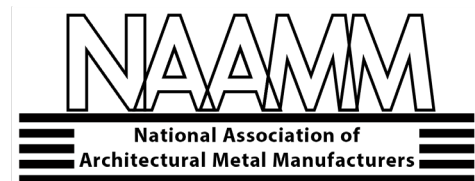
This category includes doors which do not require the use of special frames (category C) or add on edge seal systems (category G) to meet positive pressure fire test requirements.

All assemblies are identified by a label or marking bearing the wording “Listed Product”, a time interval temperature rise (if applicable), a serial number, and the Intertek Warnock Hersey certification mark.

Complete statements of positive pressure, smoke and draft control, temperature rise, fire exit hardware application and manufacturing are available in detail in Intertek Testing/Warnock Hersey report no. 3053378.

DKS Steel Door and Frames Systems, Inc.
2142 Tubeway Avenue
Commerce, California 90040-1614
Ph: 323-888-7763

Issued November 29, 2004. Amended additions March 7, 2006





PRODUCT DESCRIPTION

Product Covered:

DKS 1/3 - 3 Hour Steel-Stiffened Steel Fire Doors PP Model 1300 & 1400

Product Description:



CATEGORY "A" DOORS-NO ADDITIONAL EDGE-SEALING REQUIRED

Hollow Metal (12, 14, 16, 18, 20 gauge) Vertical Stiffened, Swinging Flush Design Fire Door for installation singly or pairs, including double egress in 1/3 Hour to 3 Hour locations. For use in listed (3-sided) 16 gauge welded steel frames meeting ANSI-A155.1/UL-63 or as per manufacturer's listings.

Limitations

Mortise or Cylindrical Latches with up to 5" Backset/Surface or Concealed Vertical Rod, including Top Rod Only/Rim Fire Exit Hardware/Viewers/Surface Mounted Closers/Concealed Closer Arms/Surface Bolts/Surface Mounted Protection Plates/Viewer/Louver/Surface Mounted or Mortised Door Bottoms/Vision Light Kit – Maximum 1296 sq.in. for 20/45 minute (or maximum tested by manufacture of glass) maximum tested by manufacture of glass for 60 minute to 3 hour. Astragal for Pairs and Double Egress Pairs is optional. Temperature Rise greater than 650°F @ 30 minutes.

Configuration	Maximum Size*
Single	4'0" wide x 10'0" high
Pairs	8'0" wide x 10'0" high
Double Egress	8'0" wide x 10'0" high

*See manufacturer's installation instructions for additional information on Smoke and Draft Control, size restrictions and limitations.

These doors are eligible for use in any "Category C – Standard" frame. These doors may also be installed in frames listed in "Category C – Proprietary" in accordance with the frame manufacturer's individual listing.

All doors listed in Category "A" are eligible to bear the (S) (for Smoke & Draft Control assemblies) if a listed "Category H – Smoke & Draft Control Gasket" has been applied to the assembly. Please refer to Category "H" for individual gasket manufacturer's listings.

All doors in this category are identified by a label or marking bearing the wording, "Listed Fire Door", a time interval, a temperature rise rating, a serial number and the Intertek Warnock Hersey Certification Mark and "UBC-7-2-97/UL 10C".

Attribute	Value
Architecture Code	08100 Metal Doors and Frames
Architecture Subcode	08110 Metal Doors
Authorized by Office	Middleton Regional Certification Center
Certification Services	Certification
Client Number	31931
Criteria	UL 10(c) (1998)
Criteria	UBC 7-2 (1997)
Criteria	NFPA 252 (1999)
Criteria	CAN 4-S104 (1985)
Fire Resistance	60 Min PP Category A Door
Fire Resistance	3 Hour PP Category A Door
Fire Resistance	90 Min PP Category A Door
Fire Resistance	45 Min PP Category A Door
Fire Resistance	20 Min w/Hose Positive Pressure
Intertek Evaluation Center	Middleton, WI 53562
Listed or Inspected	LISTED
Program	WHI Certification
Report Number	3079045



MANUFACTURING INFORMATION

APPLICATION

Category “A” doors constructed as described in this procedure meet the requirements for both positive and neutral pressure fire tests, UBC 7-2 (1997), UL 10C (1998), NFPA 252 (1999), ASTM E2074 (2000), and CAN S104 (1985) including the hose stream.

Doors labeled for positive pressure applications must include installation instructions to be furnished by the door labeler. Unless otherwise noted in the door’s installation instructions all intumescent materials and smoke/draft control gasketing used in the assembly are to be installed per their respective manufacturer’s instructions.

These non-temperature rise doors have been fire tested at positive pressure in accordance with UBC 7-2 (1997). Unexposed temperature rise is greater than 6500 in 30 minutes.

SIZE

TYPE	Max Width	Max Height	Max Thickness
Single Swing	4’0”	10’0”	1 ¾”
Standard Pair	8’0” (4’0” Per Leaf)	10’0”	1 ¾”
Double Egress	8’0” (4’0” Per Leaf)	10’0”	1 ¾”

FACES

- 20 gauge (0.032”), 18 gauge (0.042”) 16 gauge (0.053”)
- 14 gauge (0.067”) and 12 gauge (0.093”)

CORE

- Fiberglass insulation 1.5 lb. cu/ft, 1 5/8” thick, filling cavities, except those necessary for concealed hardware.

STIFFENERS

- 22 gauge vertical hat or half hat shaped stiffeners, full-length of the door, not exceeding 6” O.C. 7 ½” maximum from either hinge or latch edge. Spot welded 2 ¼” in. from each end and then approximately 4” O.C. full length.
- Stiffeners may be shortened to accommodate closer reinforcement and mortise hardware.

TOP AND BOTTOM CHANNELS

16 gauge (0.053”) full depth and width of door spot welded to door faces approximately 4” O.C.

Additional channels may be placed in the top and bottom channels for moisture barrier. May be caulked with silicone.

HINGE REINFORCEMENT

10” long x 1 ¼” wide x 7 gauge. Spot or tack welded.



LOCK REINFORCEMENTS

Standard

Lock: 2 reinforcements positioned to accommodate lock assembly 2 ½" in length x 1 ⅛" in width x 12 gauge spot or tack welded.

Alternate

Lock: Reinforcement positioned to accommodate lock assembly. 14 gauge extruded to 12 gauge spot or tack welded.

STRIKE REINFORCEMENTS

Standard

2 reinforcements positioned to accommodate strike 2 ½" in length x 1 ⅛" in width x 12 gauge spot or tack welded.

Alternate

Reinforcement positioned to accommodate lock assembly. 14 gauge extruded to 12 gauge stop or tack welded.

CLOSER REINFORCEMENTS

Reinforcement positioned to accommodate closer. Minimum 14 gauge x 4" x 16" minimum.

FLUSH BOLT REINFORCEMENTS

Standard

2 reinforcements positioned to accommodate flush bolt assembly. 2 ½" in length x 1 ⅛" in width x 12 gauge spot or tack welded.

Alternate

Reinforcement positioned to accommodate flush bolt assembly. 14 gauge extruded to 12 gauge spot or tack welded.

HARDWARE

Latches

All latching devices used must be listed for use in positive pressure tested steel faced doors.

Cylindrical locks with a maximum 5" backset.

Mortise latches.

Rim and Concealed or Surface mounted vertical rod fire exit devices.

NOTE:

All doors provided with reinforcements for fire exit hardware must have a second label attached stating "Fire Door to be Equipped with Fire Exit Hardware".



MINIMUM LATCH BOLT THROW

Single Swing Door

42" wide x 86" high or less, minimum ½ bolt throw.

Doors exceeding 42" wide x 86" high, minimum ¾" latch throw.

Pairs

All doors swinging in pairs or double egress pairs, minimum ¾" latch throw.

Note

All door labels must identify the minimum latch bolt throw.

HINGES

Only listed fire rated mortised, surface applied or continuous hinges can be used, similar to Cal-Royal, McKinney, Dorma or Rixon.

BOLTS

Only listed fire rated mortised or surface applied bolts can be used.

CLOSERS

Only listed fire rated surface applied or mortised closers may be used.

OTHER HARDWARE

Any other listed fire rated hardware that has been tested and approved for hollow metal doors may be mounted into these doors.

ASTRAGALS

An astragal is not required on pairs of doors or double egress pairs up to and including 3 hour fire doors. Astragals can be applied or integral.

VISION LIGHT KIT

Factory installed Glass Molding.

Any listed fire rated vision light kits that are positive pressure tested and labeled such as Anemostat or Air Louvers may be used.

MAXIMUM CLEAR VIEW GLASS SIZE

20 minute and 45 minute ratings – 54" x 54" not exceeding 1296 square inches or maximum tested by glass manufacturer.

1 ½ hour – 100 square inches maximum

Minimum stiles and top rail is 6" and minimum bottom rail is 10" at 20 minutes, 45 minutes, 1 and 1 ½ hour rating.

The light cut-out shall be reinforced around the perimeter with minimum 18 gauge steel channels.

Multiple openings are allowed when the sum of the areas do not exceed the tested area.



LOUVERS

Only listed fire rated louvers with fusible links shall be used. Maximum size allowed is 24" x 24" in lower ½ of door.

The louver cut-out shall be reinforced around the perimeter with minimum 18 gauge steel channels.

VIEWERS

Listed viewers with maximum bore diameter of 1" or less allowed.

AUTOMATIC DOOR BOTTOMS

Listed surface or mortise automatic door bottoms allowed.

PROTECTIVE PLATES

Maximum 16 ga. steel armored plates may be added to the door. The maximum size is 36" wide and 46" high.

INSTALLATION INSTRUCTIONS

Installation instructions shall be packaged with each door shipped or may be included in the submittal process.

CERTIFICATION LABEL

Fire-rated Door, the Intertek Warnock Hersey® certification label may be applied within the top 1/3 of hinge edge.

The certification label shall be applied with rivet screw-type or mylar label.

Exception: When a continuous type hinge is applied to the door, the WH certification label shall be attached to the top of the Door.

REQUIRED ITEMS:

- Warnock Hersey Certification Mark® with Country Identifiers
- The word "LISTED"
- The product category "FIRE-RATED DOOR"
- Fire Protection Rating
- Temperature Rise exceed 650 in 30 minutes
- Serial Number
- Control Number or Listee's Name
- The words "DO NOT REMOVE OR COVER THIS LABEL"
- The words "SEE INSTALLATION INSTRUCTIONS"

OTHER ITEMS:

- POSITIVE PRESSURE statement:

If the door is to be labeled for positive pressure, the following is required.

Required: The words "MEETS UBC 7-2-97 / UL 10C" or "MEETS UBC7-2-97" or "MEETS UL 10C"

Identify: "CAT. A" or "CAT. B"

Optional: "POSITIVE PRESSURE"

- SMOKE AND DRAFT CONTROL statement:

Required: The label shall provide the required positive pressure statements (see positive pressure requirements above).

The S mark: The words "SMOKE AND DRAFT CONTROL RATING REQUIRE A LISTED GASKET."

Optional: The words "SMOKE LEAKAGE < 3 cfm/ft² per UL 1784"

PRODUCT DESCRIPTION



Product Covered:

DKS Series 1000, 1100, 1200, 1600, 1700, 1800, 1900 3-Hour Polystyrene Core Steel Fire Door

Product Description:

FIRE DOORS – POSITIVE PRESSURE CATEGORY A NO ADDITIONAL EDGE-SEALING SYSTEM REQUIRED

PRODUCT COVERED

Series 1000, 1100, 1200, 1600, 1700, 1800, 1900 Fire Door

PRODUCT DESCRIPTION

Foam Filled Steel Fire Doors for installation Singly or in Pairs in 3 hour positive pressure assemblies, with temperature rise greater than 650°F at 30 minutes.

Limitations

Maximum Sizes

Single Swing

45 mm (1.75 inches) Minimum Thickness
1208 mm (48 inches) Maximum Width
2416 mm (96 inches) Maximum Height

Pairs

45 mm (1.75 inches) Minimum Thickness
2416 mm (96 inches) (each leaf: 1208 mm (48 inches)) Maximum Width
2416 mm (96 inches) Maximum Height

Vision Panels maximum 1296 sq. inches for 20 and 45 minute locations; 100 sq inches for 60 and 90 Minute locations. Glazing kit for light kits requires use of minimum 18 ga. Steel channel reinforcement attached to both faces around the vision panel cutout.

Evaluated to the following...

This category includes doors evaluated without an edge-sealing system between the door and the frame. It also includes doors evaluated with a sealing system incorporated (concealed or visible) into the edge of the door by the licensed manufacturer or machining distributor.

Meeting edges of pairs may require an astragal or an edge-sealing system. Please refer to individual door listings.



These doors are eligible for use in any “Category C – Standard” frame. These doors may also be installed in frames listed in “Category C – Proprietary” in accordance with the frame manufacturer’s individual listing.

All doors listed in Category “A” are eligible to bear the **(S)** (for Smoke & Draft Control assemblies) if a listed “Category H – Smoke & Draft Control Gasket” has been applied to the assembly. Please refer to Category “H” for individual gasket manufacturer’s listings.

All doors in this category are identified by a label or marking bearing the wording, “Listed Fire Door”, a time interval, a temperature rise rating, a serial number and the Warnock Hersey Certification Mark and “UBC-7-2-97/UL 10C”

Attribute	Value
Architecture Code	08100 Metal Doors and Frames
Fire Resistance	3 Hour Neutral Pressure
Fire Resistance	3 Hour PP Category A Door
Swing	Single Swing
Swing	Standard Pairs
Listed or Inspected	LISTED
Report Number	3053378 & 3071125
Criteria	ASTM E152-81a
Criteria	UL 10(c) (1998)
Criteria	UBC 7-2 (1997)
Criteria	UBC 7-2 (1994)
Criteria	UL 10(b) (1997)
Criteria	ASTM E2074 (2000)
Criteria	NFPA 252 (2003)
Criteria	CAN / ULC S104 1980 R1985
Temperature Rise	@ 30 Min > 650°F
Intertek Services	Certification

MANUFACTURING INFORMATION

APPLICATION

Doors constructed as described in this procedure meet the requirements for both positive and neutral pressure fire tests, UL 10(c) (1988), UL 10(b) (1997), UBC 7-2 (1997) Part 1, UBC 7-2 (1994), NFPA 252 (2003), ASTM E2074 (2000), ASTM E152-81a, and CAN/ULC-S104 1980 R1985.

These doors are Category “A” doors (no additional edge sealing system is required).

Doors labeled for positive pressure applications must include installation instructions to be furnished by the door labeler. Unless otherwise noted in the door’s installation instructions all intumescent materials and smoke/draft control gasketing used in the assembly are to be installed per their respective manufacturer’s instructions.

SIZE LIMITATIONS

Single Swing	48” wide by 96” high
Pair	96” wide by 96” high
Minimum Thickness	1 3/4” ± 1/16”



COMPONENTS

CORE(S)

Polystyrene foam core with a density of 13.3 kg/m³ (0.83 pounds per cubic foot) (See diagrams)

Material: 1.0 pcf nominal density of EPS foam slab

Polystyrene Foam Core	Working Temp. (Flammability) = -20°C to 60°C
	Soundproof = 35 db
	Density = 17.7 kgs/m ³
	Compressive Strength = 67.8 kpa min
	Tensile Strength = 122.7 kpa min
	Voids (visual) = none
	Fusion = Styrene Bead Structure

Honeycomb Core	Thickness = 43mm ± 0.5mm
	Cell Diameter = 18mm
	Weight = 180 g/m ²
	Compressive Strength = 4.5 kgs/cm ²
	Proportion = 28 kgs/m ³
	Moisture Content = £10%

ISO Foam Core	Isocyanate
	Solid Content = >75%
	PH value = 4-7
	Viscosity = 1000-10,000 MPAS
	Gumming Quantity = 200-400 g/m ³
	Working Temperature = -30°C to 200°C
	Adhesive Strength = 3 MPA

SKINS

- Faces form door edges (stiles)
- Face edge bent with a leg of 22.5mm + 0mm / -0.5mm (0.886 in. + 0 in. / -0.020 in.) with a 14mm (0.55 in.) return

Material: Mild steel, or galvanized mild steel

Gauge: 1200 Series – 20 gauge
 1600 Series – 16 gauge
 1800 Series – 18 gauge

Seams:

- Option 1: Tack Welded – 22mm (1 in.) on center, seam in center of door edge
- Option 2: Lap Seam Construction – Seam at edge of door, tack welded
 100mm (4 in.) on center
- Option 3: Lock Seam Construction – Tack welded lock seam on each side at
 100mm (4 in.) on center

END CHANNEL (FOAM CORE)

- Top: 16 gauge, inverted, spot welded to skins, no holes
- Bottom: 16 gauge with 0.71 in. vent holes every 6 inches along length



END CHANNEL (HONEYCOMB CORE)

- 1.5 mm (16 gauge – 0.060 in.) thick galvanized steel
- C-Shaped with 20 mm (0.785 in.) legs by 42 mm (1.654 in.) web by full width of door
- Spot welded to faces 13 mm (0.50 in.) from ends and 50 mm (2.00 in) on center

LIGHT CLOSURE CHANNEL

- Refer to Drawing

HINGE REINFORCEMENTS

- 4mm (8 gauge – 0.164 in.) thick galvanized steel by 205 mm (8.00 in.) long by 32 mm (1.25 in.) wide
- Attached to face edges with a two spot-welds on each end (one on each tab)

CLOSER REINFORCEMENTS

- 3 mm (12 gauge – 0.108 in.) thick by 200 mm (8 in.) wide by 380 mm (15 in.) long galvanized steel
- Two (2) plates – with one plate spot welded to each face

LATCH REINFORCEMENTS

- 2 mm (14 gauge – 0.075 in.) galvanized steel spot welded to faces
- Reinforcements located per hardware requirements

ASTRAGAL

- 20 gauge (1mm) door edge with 19mm (3/4 in.) astragal projection

ADHESIVES

- 3M Fastbond 30-NE/30H-NF
- 3M Fastbond 49
- 3M Scotch-Grip High Performance Contact
- Adhesive 1357; 1357 Neutral, 1357-L

PRIMER PAINT (required for non-galvanized skins)

Viscosity = > 100 MPAS
Fineness = £ 20mm
Solid Content = ³ 40%
Air Dry Time: Surface Dry = £ 10 Minutes
Air Dry Time: Core Dry = £ 50 Minutes
Impact Strength = 50 kgs/cm
Water Soluble

CONSTRUCTION DETAILS

1. Faces are cut to length and width
2. Edges are formed on both faces of door
3. Reinforcements for hinges, latches, and closers are welded to faces
4. Foam Core adhered to faces with isocyanite adhesive (formula shown in drawing 1)
5. Top face is slid into place on bottom face
6. Ends welded to faces
7. Faces welded together with welds 50 mm (2.00 inches) on center
8. All welds ground and finished smooth
9. Door painted
10. Label applied